

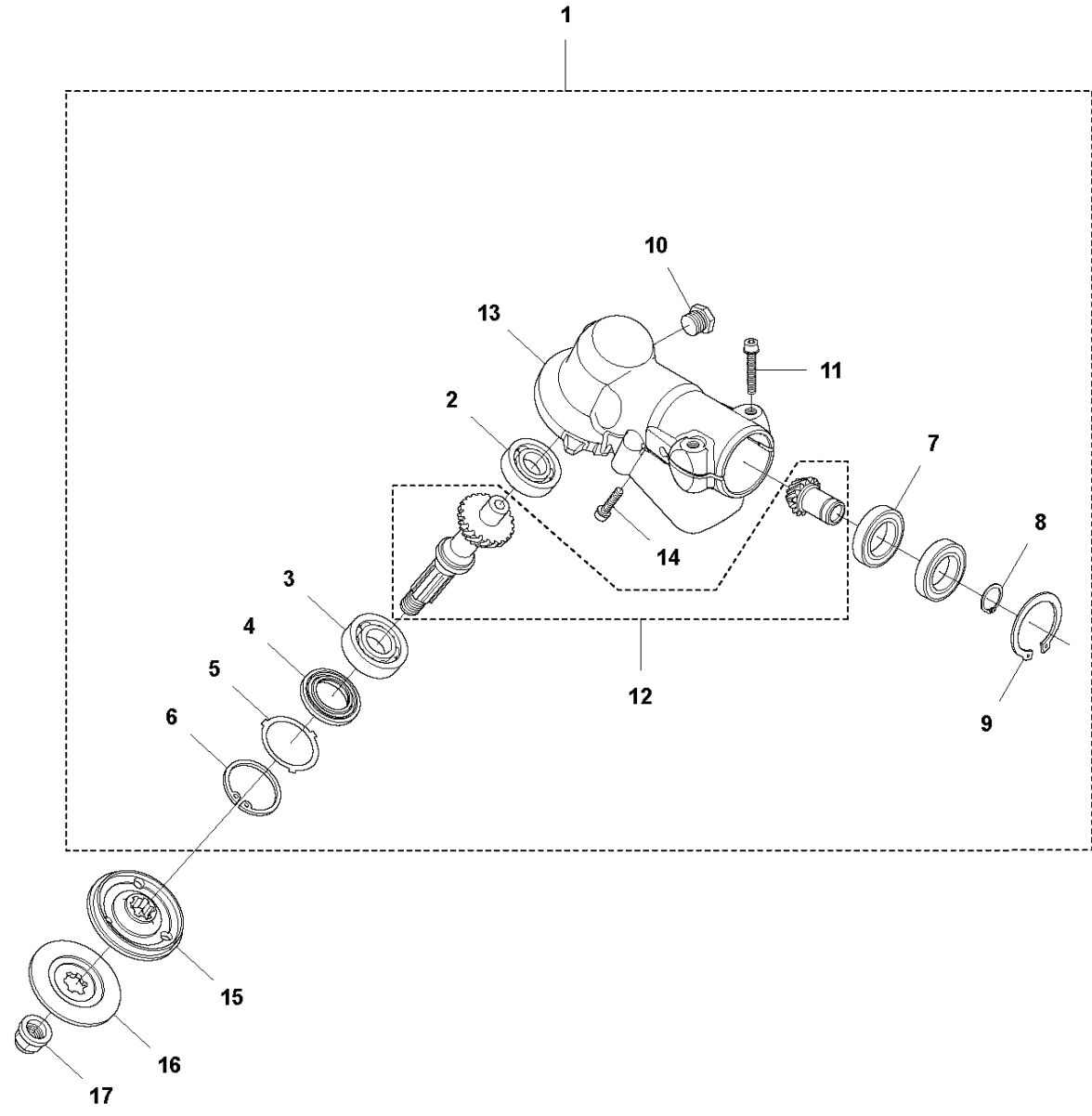


SPARE PARTS LIST

BRUSHCUTTERS/CLEARING SAWS

545 F

A 545 F
BEVEL GEAR

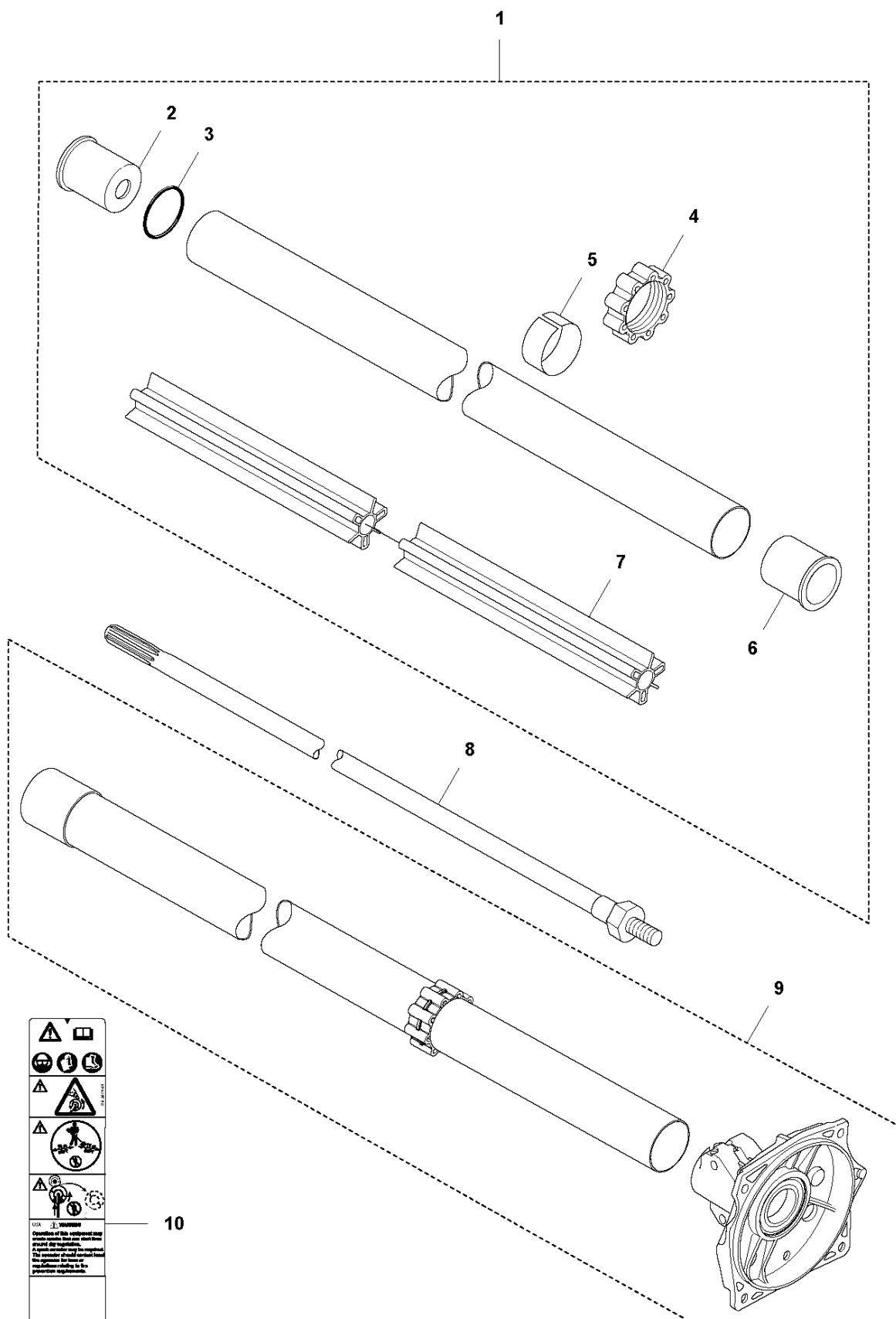


BEVEL GEAR

545 F

Ref	Part No	Description	Remark	QTY	KIT
1	588 16 33-01	GEAR ASSY		1	
2	738 21 01-10	BALL BEARING		1	1
3	503 25 08-01	BEARING		1	1
4	503 26 17-01	SEALING		1	1
5	503 75 89-01	COVER WASHER		1	1
6	735 31 33-10	CIRCLIP		1	1
7	738 21 87-12	BALL BEARING		2	1
8	735 31 17-00	CIRCLIP		1	1
9	735 31 31-10	CIRCLIP		1	1
10	503 20 15-01	SCREW		1	1
11	503 20 02-25	SCREW IHSCFM		2	1
12	587 97 76-01	GEAR		1	1
13	502 29 79-01	GEAR HOUSING		1	1
14	503 20 03-16	SCREW IHSCFM		4	1
15	544 19 78-01	DRIVER		1	
16	544 21 78-01	SUPPORT FLANGE		1	
17	502 29 11-01	BLADE NUT		1	

B 545 F
SHAFT



USA **McQuay-Norris**
Operation of this equipment may
involve risks that can result in
death or injury. Read the manual
to understand all the risks and
the proper use of the equipment.
Do not use the equipment for any
purpose other than that intended
by the manufacturer.

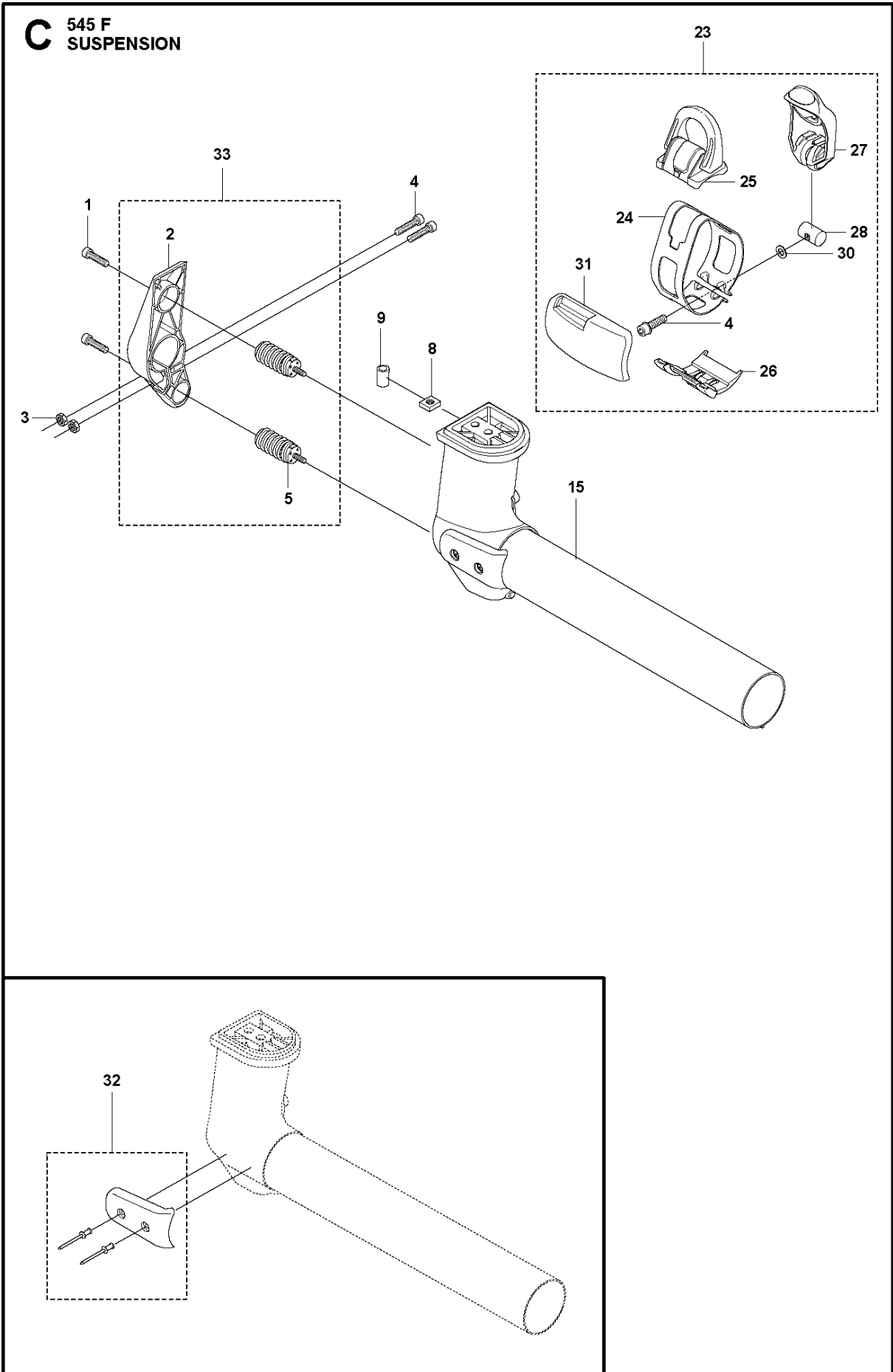
10

SHAFT

545 F

Ref	Part No	Description	Remark	QTY KIT	
1	586 26 26-14	TUBE ASSY	from s/n 20194100361 - . For older products use kit 597 84 21-03	1	
2	544 02 94-01	SPACER		1	1
3	506 11 03-01	O-RING		1	1
4	537 30 98-01	ANTIVIBRATION ELEMENT		1	1
5	537 30 97-02	TAPE		1	1
6	544 02 94-01	SPACER		1	1
7	523 01 88-01	BEARING SHAFT		1	1
8	503 92 44-01	DRIVE SHAFT		1	
9	597 84 21-03	CLUTCH COVER ASSY	from s/n 20193900001 up to 20194100360.	1	
10	589 29 51-01	LABEL		1	

C 545 F
SUSPENSION

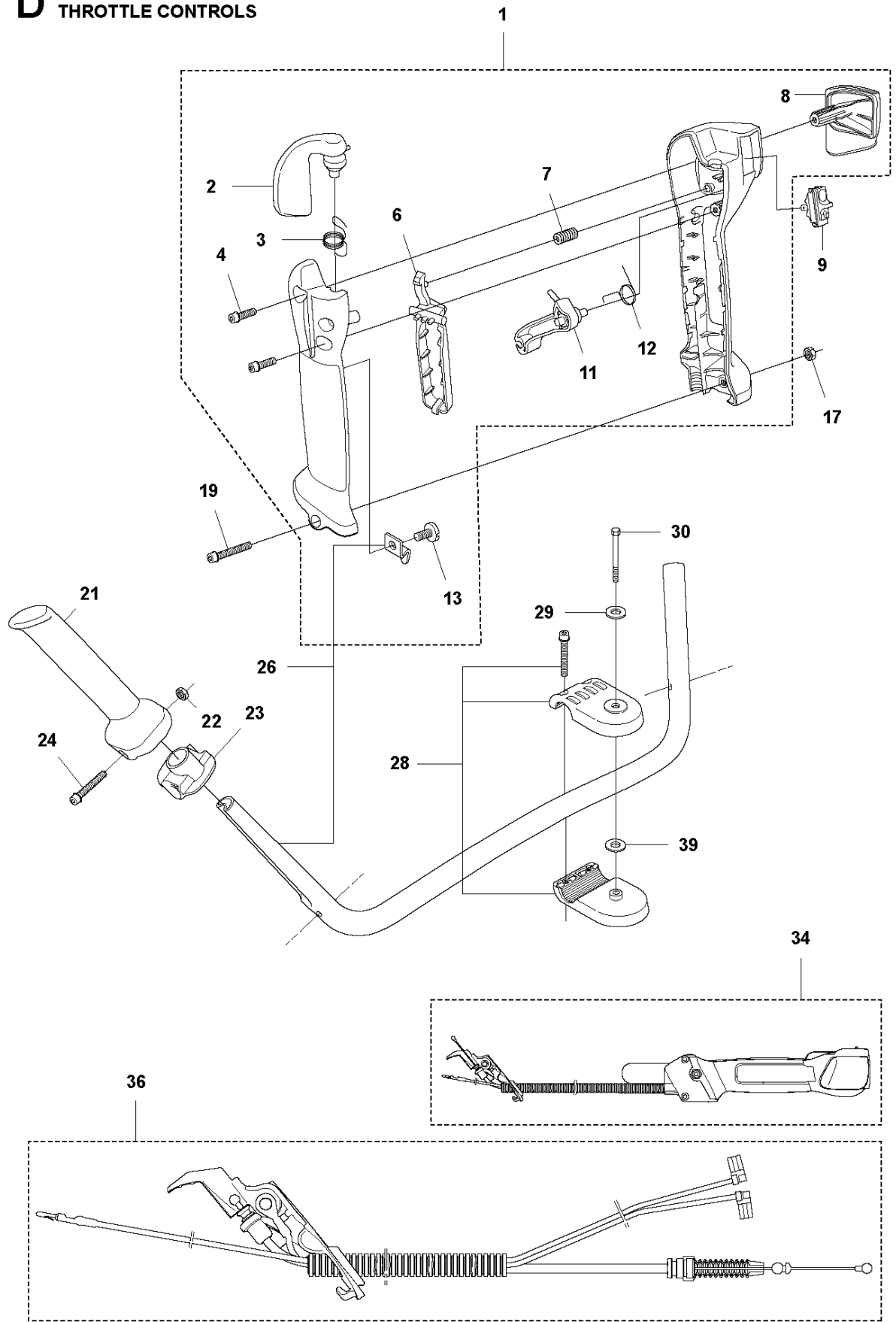


SUSPENSION

545 F

Ref	Part No	Description	Remark	QTY	KIT
1	503 20 02-16	SCREW IHSCFM		2	
2	589 01 58-01	HOLDER		1	33
3	503 22 10-12	HEXAGON NUT		2	
4	503 20 02-25	SCREW IHSCFM		2	
5	588 82 99-01	ANTIVIBRATION ELEMENT		2	33
8	502 19 71-01	SQUARE NUT		1	
9	503 85 73-02	COVER		1	
15	581 97 89-01	SUSPENSION	F, Fx, FxT, FR, Magnesium	1	
23	577 37 57-01	LOOP		1	
24	537 19 79-01	BAND		1	23
25	537 20 18-03	LOOP		1	23
26	577 29 93-01	GUIDE RAIL		1	23
27	577 20 83-01	LEVER		1	23
28	537 42 73-01	NUT		1	23
30	503 23 00-11	WASHER		1	23
31	544 25 07-01	WEAR PROTECTION		1	23
32	586 20 27-01	WEAR PROTECTION		1	
33	591 18 60-01	HOLDER KIT		1	

D 545 F
THROTTLE CONTROLS

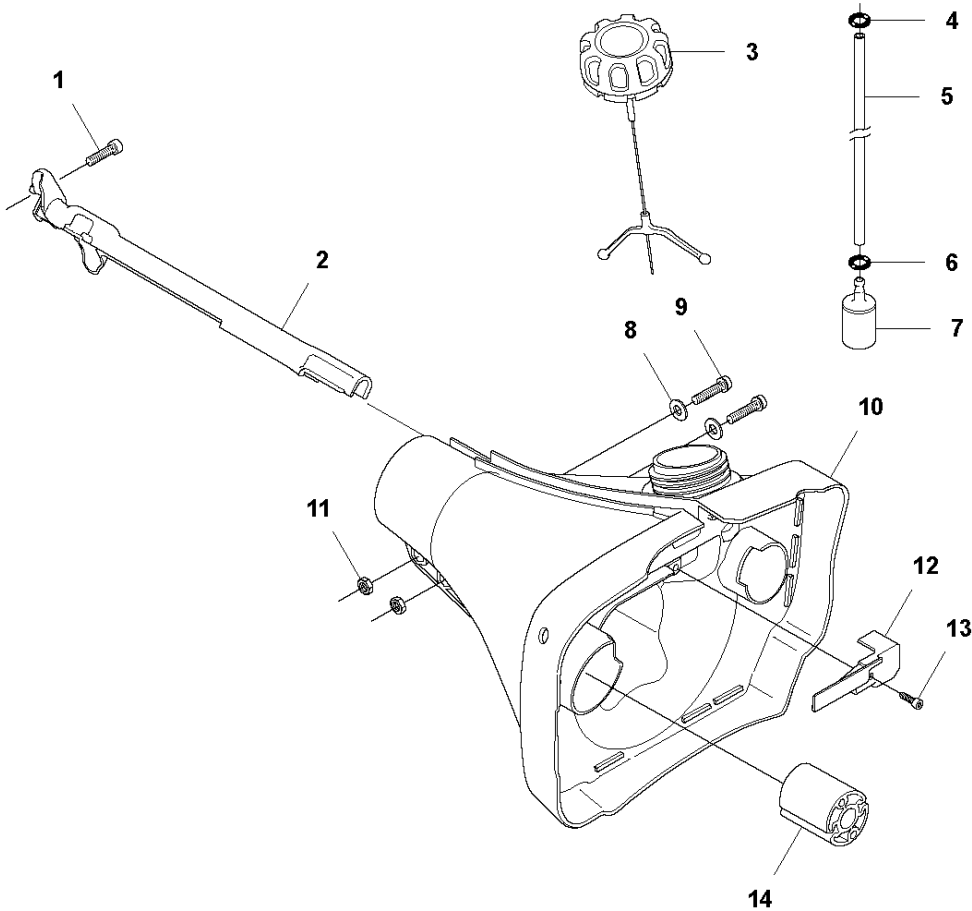


THROTTLE CONTROLS

545 F

Ref	Part No	Description	Remark	QTY	KIT
1	537 19 72-13	THROTTLE HANDLE	Thumb-operated throttle	1	34
2	537 26 34-01	THROTTLE TRIGGER		1	1, 34
3	537 35 32-01	SPRING		1	1, 34
4	503 21 75-20	SCREW IHSCFT		2	1, 34
6	537 15 56-01	THROTTLE LOCKOUT		1	1, 34
7	537 19 97-01	SPRING		1	1, 34
8	537 18 24-01	COVER		1	1, 34
9	537 41 90-01	SWITCH		1	34
11	537 26 35-01	THROTTLE LEVER		1	1, 34
12	537 34 27-01	SPRING		1	1, 34
13	503 21 70-10	SCREW CCRPANT		1	1, 34
17	731 23 14-05	HEXAGON NUT		1	
19	503 20 07-82	SCREW IHSCFM		1	
21	537 17 28-03	HANDLE		1	
22	731 23 14-05	HEXAGON NUT		1	
23	537 17 29-02	BRACKET		1	
24	503 20 02-45	SCREW IHSCFM		1	
26	525 88 20-01	HANDLEBAR	FX	1	
28	596 28 33-01	HANDLEBAR BRACKET		1	
29	503 23 00-61	WASHER		1	
30	725 23 82-81	SCREW EHHM		1	
34	577 00 03-01	THROTTLE HANDLE ASSY	FX, Thumb-operated throttle	1	
36	525 43 75-01	WIRING ASSY	FX	1	34
39	502 28 21-01	WASHER		1	

E2 545 F
FUEL TANK

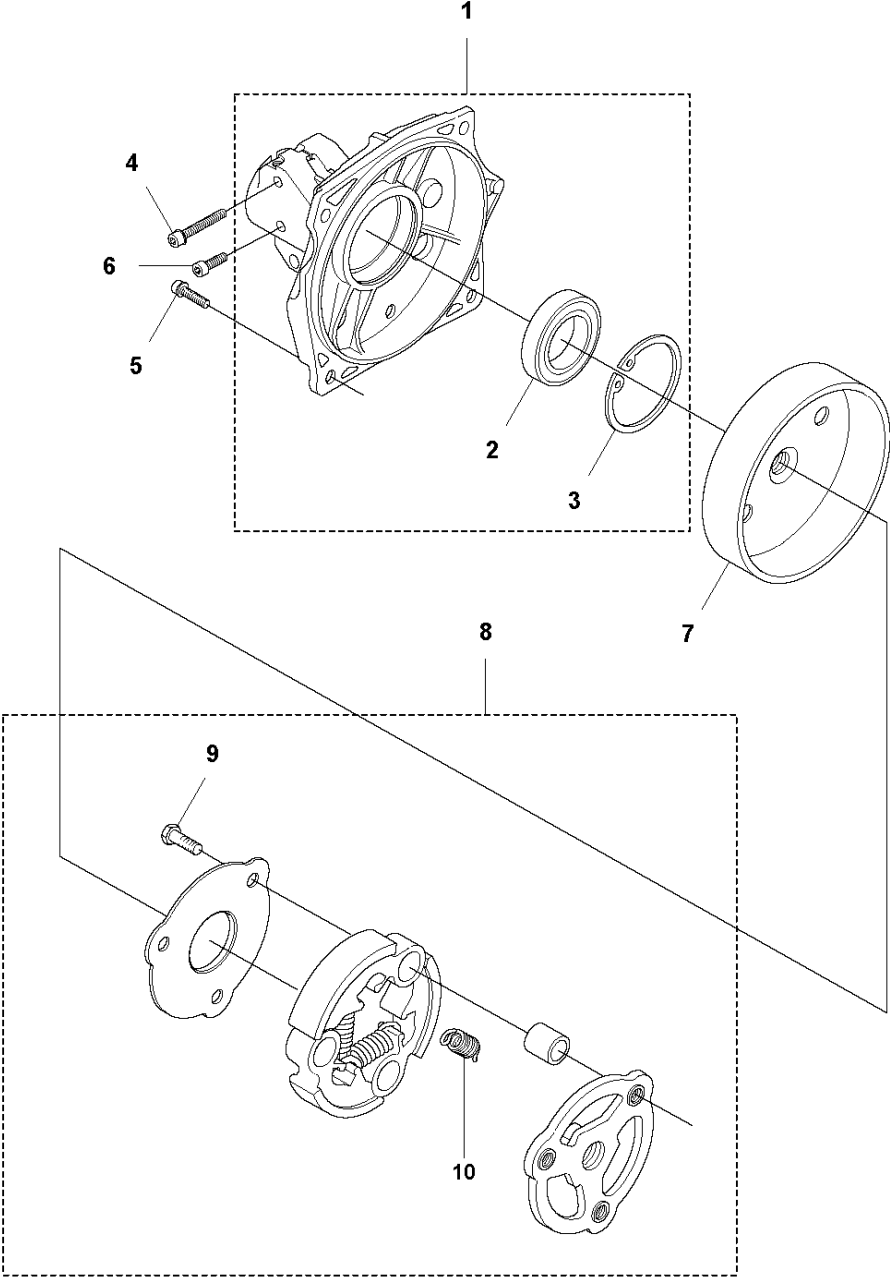


FUEL TANK

545 F

Ref	Part No	Description	Remark	QTY KIT
1	503 20 02-16	SCREW IHSCFM		1
2	537 17 25-02	COVER		1
3	504 11 32-01	TANK CAP		1
4	537 18 49-01	O-RING		1
5	581 75 61-16	FUEL HOSE		1
6	537 18 49-01	O-RING		1
7	503 44 32-01	FUEL FILTER		1
8	503 23 00-11	WASHER		2
9	503 20 03-16	SCREW IHSCFM		2
10	503 94 93-03	FUEL TANK		1
11	503 22 10-12	HEXAGON NUT		2
12	537 21 99-01	HOSE GUARD		1
13	586 44 49-01	SCREW ITXSCT		1
14	510 20 87-01	ANTIVIBRATION ELEMENT		2

F 545 F
CLUTCH

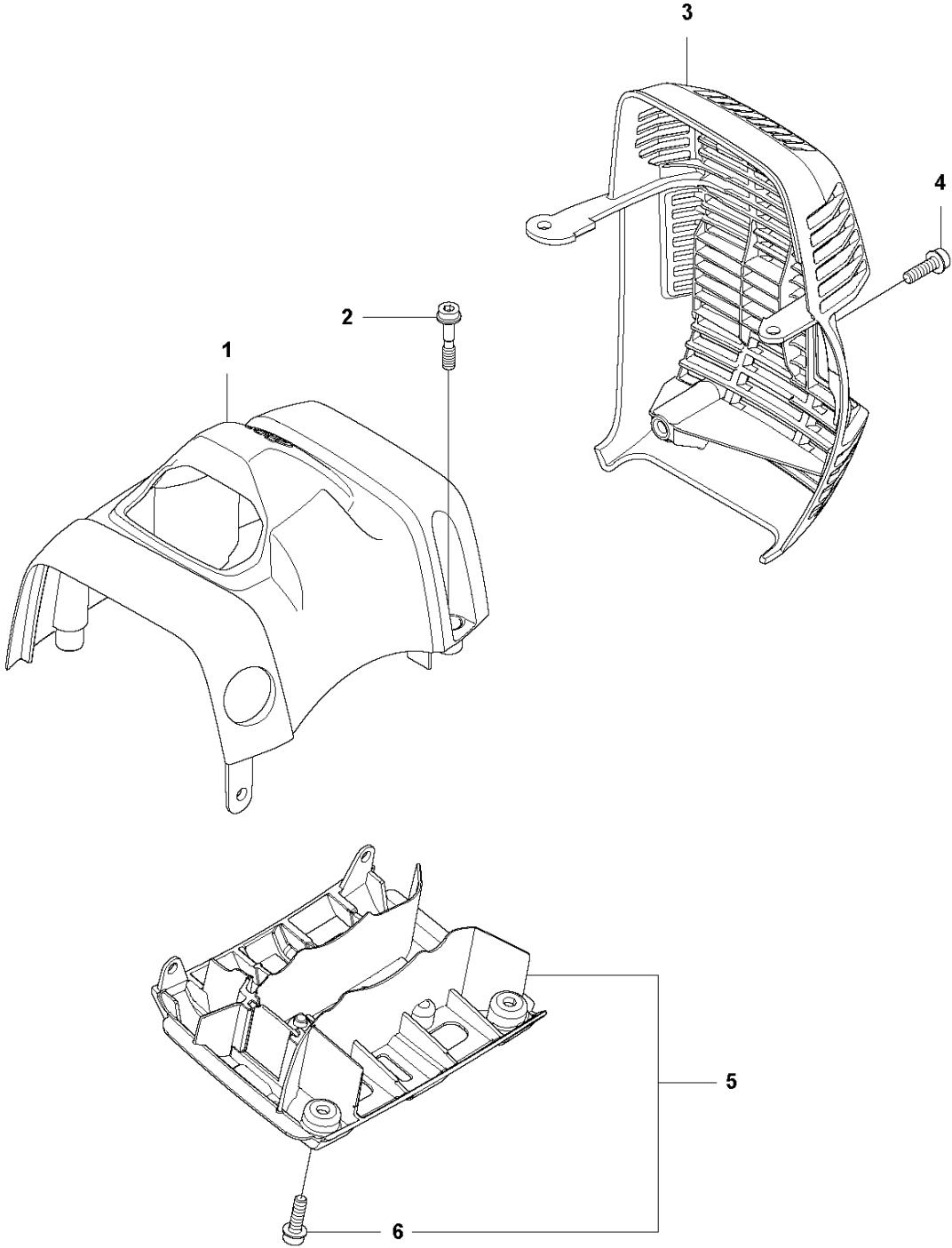


CLUTCH

545 F

Ref	Part No	Description	Remark	QTY KIT	
1	503 95 41-05	CLUTCH COVER	from s/n 20194100361 - . For older products use kit 5978421-03	1	
2	738 22 02-19	BALL BEARING		1	1
3	735 31 33-10	CIRCLIP		1	1
4	503 20 02-30	SCREW IHSCFM		2	
5	503 20 02-20	SCREW IHSCFM		4	
6	503 20 07-70	SCREW IHSCFM	from s/n 20194100361 -	1	
6	503 20 20-01	SCREW IHSCM	up to s/n - 20194100360.	1	
7	544 90 07-01	CLUTCH DRUM ASSY		1	
8	594 51 23-01	CLUTCH ASSY		1	
9	503 20 18-02	SCREW EHHM		3	8
10	505 43 53-02	CLUTCH SPRING		3	8

G 545 F
CYLINDER COVER



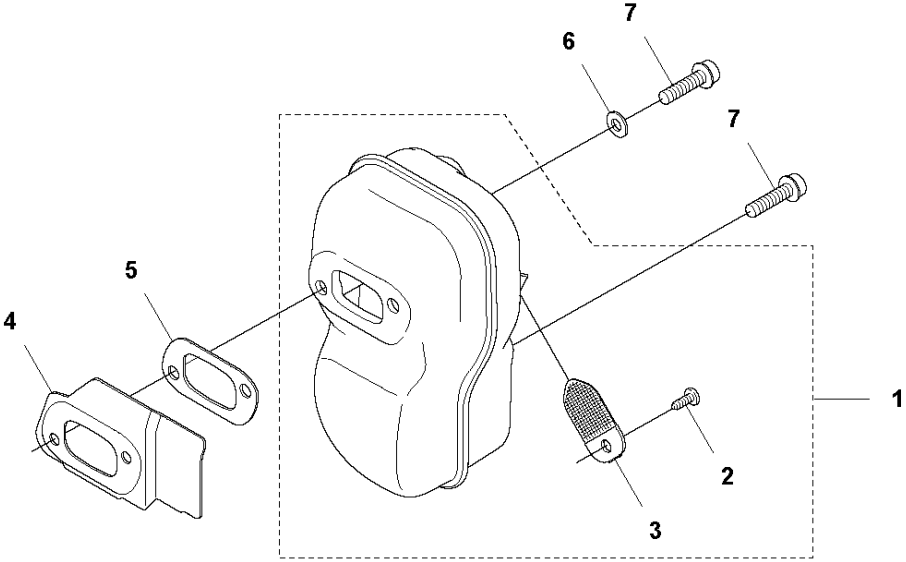
7 — **545 F**

CYLINDER COVER

545 F

Ref	Part No	Description	Remark	QTY	KIT
1	510 04 75-01	CYLINDER COVER		1	
2	574 47 70-04	SCREW IHSCFMO	Captive Screw	3	
3	576 92 00-05	HEAT PROTECTOR		1	
4	503 20 07-74	SCREW IHSCFM		1	
5	579 33 00-01	PROTECTIVE COVER		1	
6	503 20 07-74	SCREW IHSCFM		2	5
7	576 99 86-25	LABEL		1	

H1 545 F
MUFFLER, FF

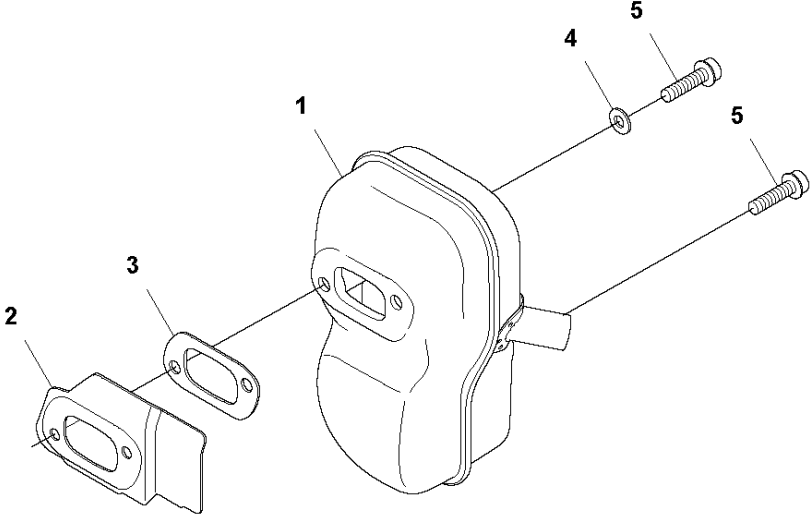


MUFFLER

545 F

Ref	Part No	Description	Remark	QTY	KIT
1	574 38 11-06	MUFFLER KIT		1	
2	724 12 87-59	SCREW CRPANM		1	1
3	522 60 95-01	SPARK ARRESTER SCREEN		1	1
4	522 93 87-01	HEAT DEFLECTOR		1	
5	522 95 44-01	GASKET		1	
6	503 23 04-02	WASHER		1	
7	503 20 07-76	SCREW IHSCFM		3	

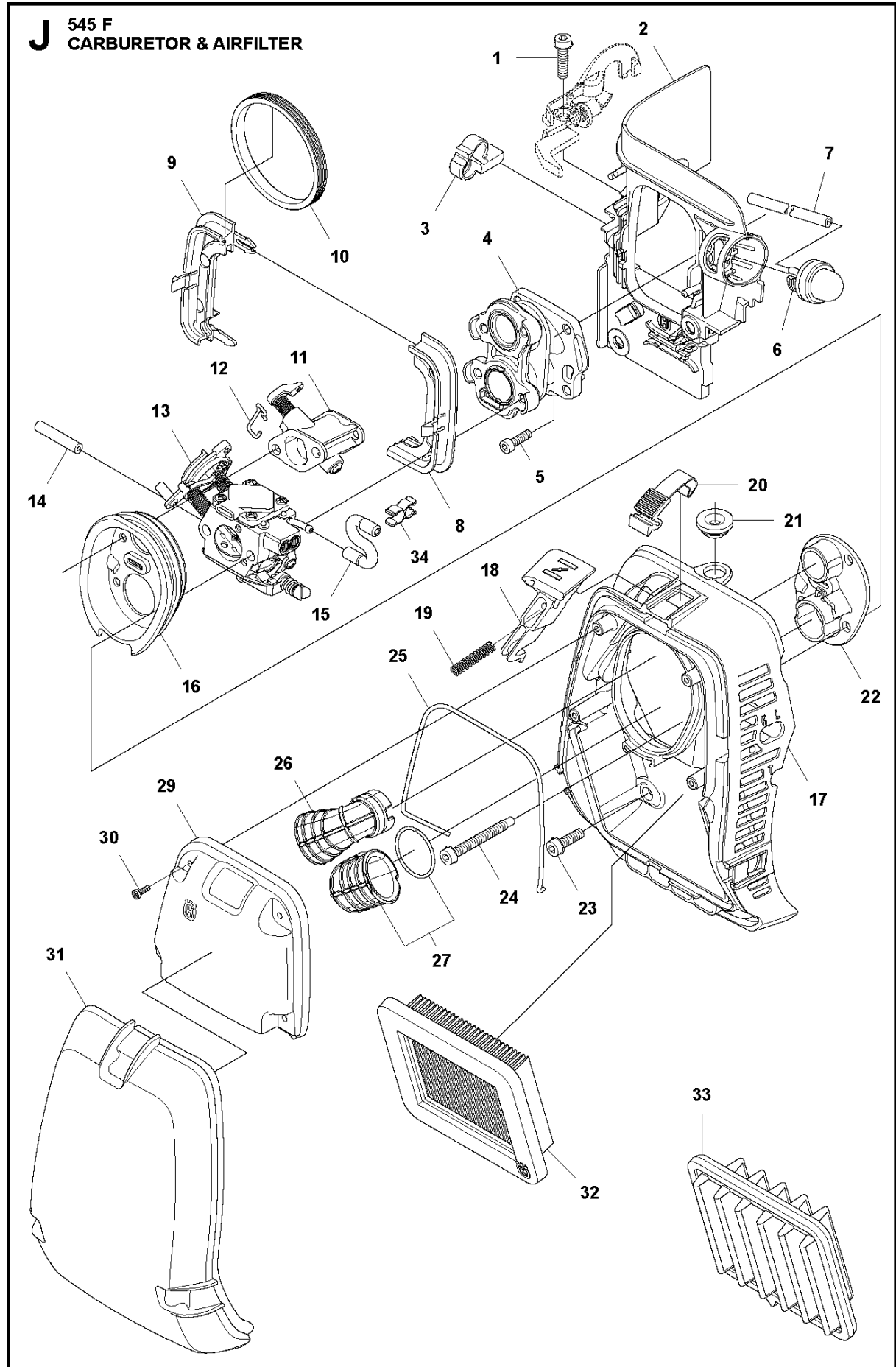
H2 545 F
MUFFLER, PIPE



MUFFLER

545 F

Ref	Part No	Description	Remark	QTY	KIT
1	574 38 11-05	MUFFLER KIT		1	
2	522 93 87-01	HEAT DEFLECTOR		1	1
3	522 95 44-01	GASKET		1	1
4	503 23 04-02	WASHER		1	
5	503 20 07-76	SCREW IHSCFM		3	

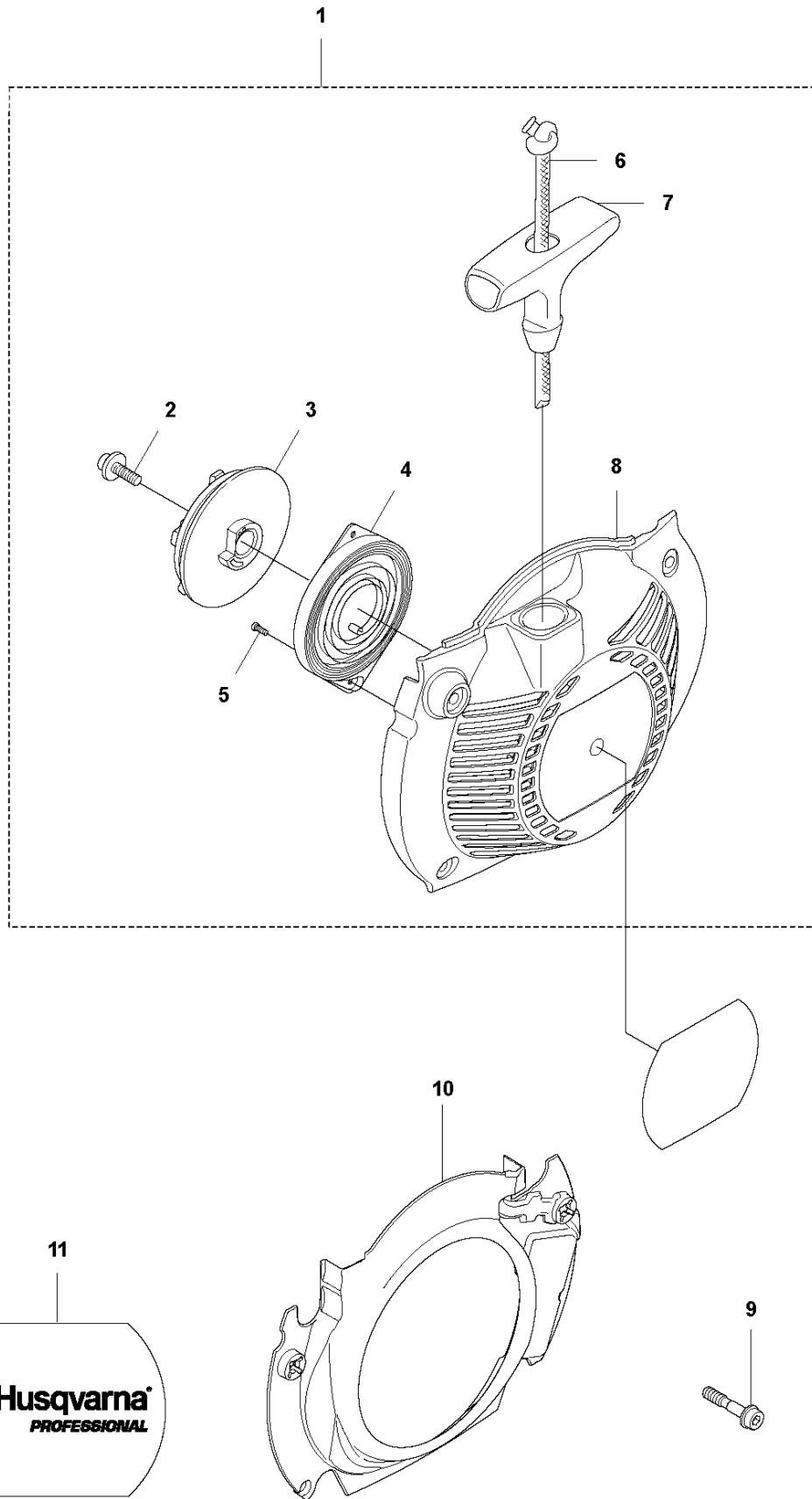


CARBURETOR & AIR FILTER

545 F

Ref	Part No	Description	Remark	QTY KIT
1	503 20 07-76	SCREW IHSCFM		1
2	525 28 92-01	INSULATION WALL		1
3	575 23 95-01	GROMMET		1
4	574 44 03-01	INLET PIPE		1
5	503 20 25-16	SCREW IHSCM		4
6	503 93 66-01	PURGE		1
7	537 04 24-07	FUEL HOSE		1
8	576 12 27-01	FRAME		1
9	576 12 37-01	FRAME		1
10	576 22 37-01	SEALING RING		1
11	574 29 79-01	HOUSING		1
12	522 54 33-01	LINK		1
13	580 80 39-01	CARBURETTOR		1
14	581 75 61-43	FUEL HOSE		1
15	523 05 68-01	FUEL HOSE		1
16	574 85 12-01	SEALING		1
17	523 04 48-01	FILTER HOLDER ASSY		1
18	522 44 99-01	CHOKE CONTROL		1
19	524 85 30-01	SPRING		1
20	503 74 01-02	SNAP LOCKING		3
21	537 01 65-01	SUPPORT		1
22	577 47 97-01	COVER PLATE		1
23	503 20 07-74	SCREW IHSCFM		2
24	537 31 60-01	SCREW IHSCFM		4
25	503 26 32-04	O-RING		1
26	586 94 69-01	INLET PIPE		1
27	594 02 80-01	INLET PIPE ASSY		1
29	575 26 84-01	COVER LID		1
30	503 21 29-10	SCREW CCRPANT		4
31	510 18 97-01	FILTER COVER		1
32	574 66 80-03	FILTER	Paper	1
33	537 41 08-04	FILTER	Nylon 25 μ , Winter	1
34	580 45 17-01	CLIP		1

K 545 F
STARTER

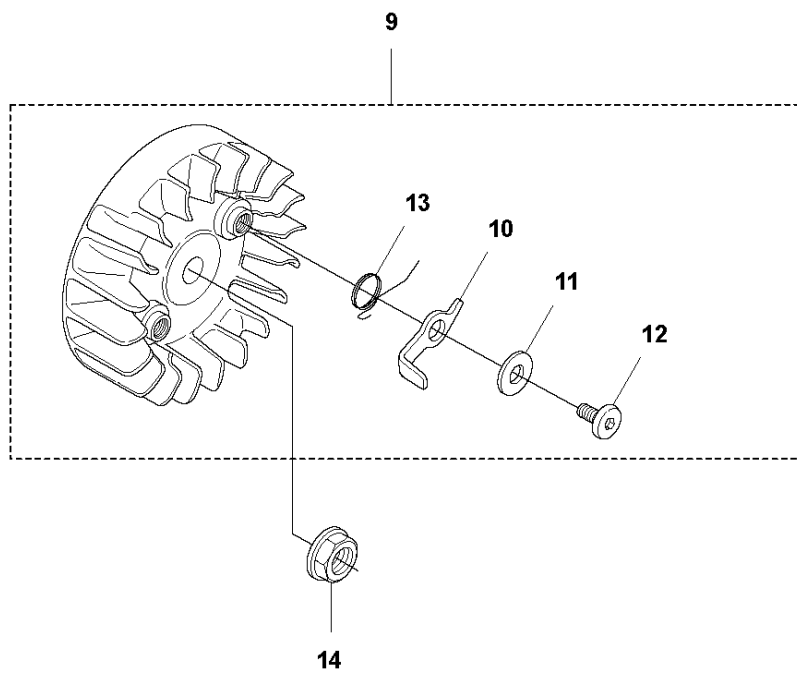
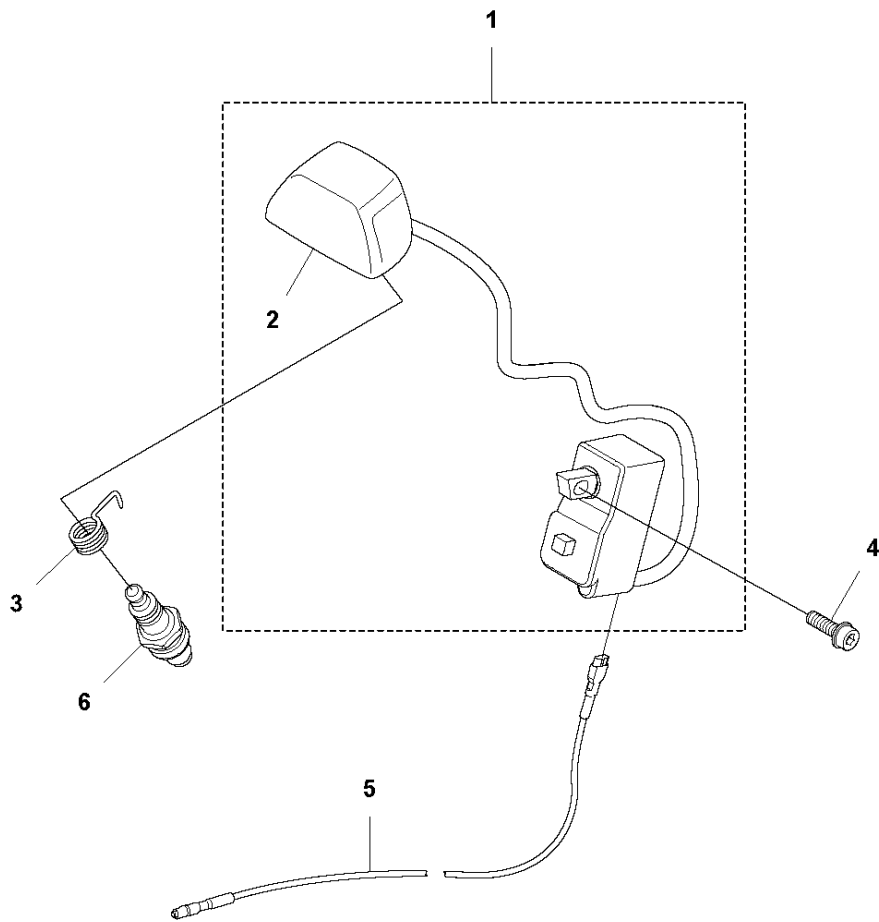


STARTER

545 F

Ref	Part No	Description	Remark	QTY KIT	
1	573 96 08-01	STARTER		1	
2	503 21 69-16	SCREW IHSC T		1	1
3	503 95 73-01	STARTER PULLEY		1	1
4	502 20 06-01	SPRING CASSETTE ASSY		1	1
5	503 21 29-10	SCREW CCRPANT		2	1
6	505 30 51-25	STARTER CORD		1	1
7	537 23 25-01	STARTER HANDLE		1	1
8	502 15 77-01	STARTER ASSY		1	1
9	574 47 70-04	SCREW IHSCFMO	Captive Screw	4	
10	510 20 50-01	AIR CONDUCTOR		1	
11	576 46 81-01	LABEL		1	

L 545 F
IGNITION SYSTEM

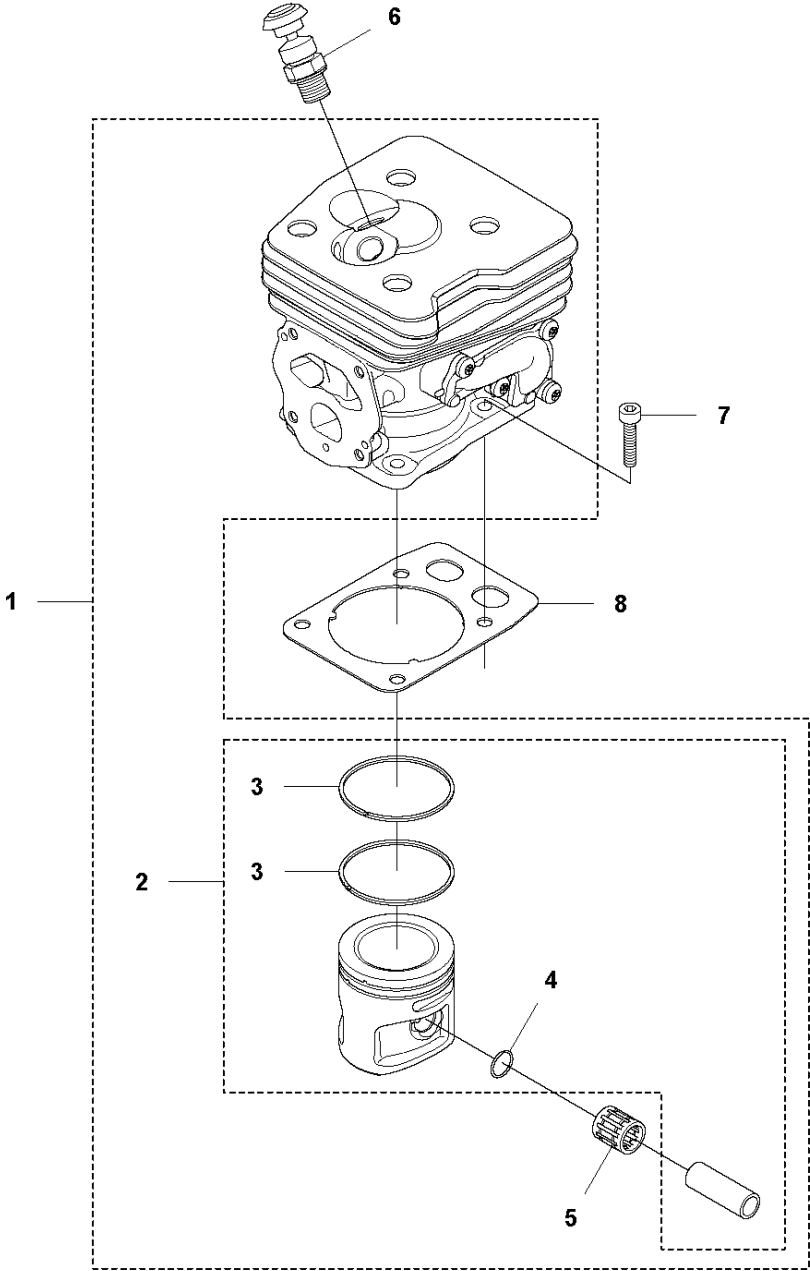


IGNITION SYSTEM

545 F

Ref	Part No	Description	Remark	QTY	KIT
1	585 07 39-04	IGNITION SYSTEM		1	
2	583 95 31-01	SPARK PLUG CAP		1	1
3	537 32 38-01	CONTACT SPRING		1	
4	503 20 07-74	SCREW IHSCFM		2	
5	525 85 84-01	SHORT CIRCUIT CABLE		1	
6	574 51 96-01	SPARK PLUG	NGK CMR6H	1	
9	503 95 33-01	FLYWHEEL		1	
10	503 81 24-01	STARTER PAWL		2	9
11	503 23 00-42	WASHER		2	9
12	501 81 99-03	SCREW		2	9
13	503 81 29-02	SPRING		2	9
14	503 22 04-01	NUT		1	

M 545 F
CYLINDER & PISTON

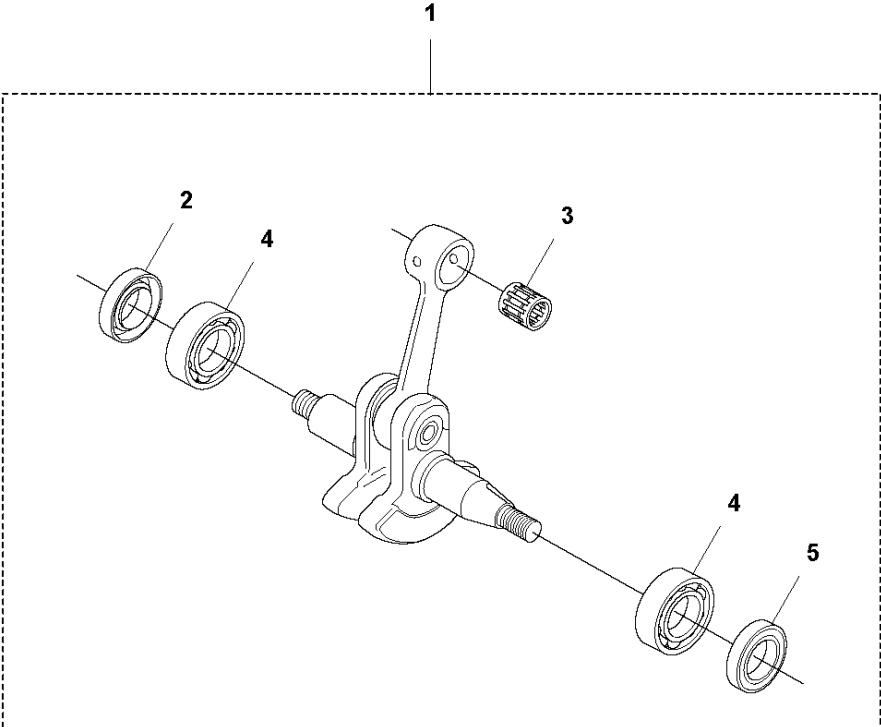


CYLINDER PISTON

545 F

Ref	Part No	Description	Remark	QTY	KIT
1	577 27 49-02	CYLINDER KIT		1	
2	576 28 27-02	PISTON ASSY		1	
3	576 28 30-01	PISTON RING	s/n from 20122300181 -	2	
4	737 44 10-00	SNAP RING		2	1, 2
5	503 25 63-01	NEEDLE BEARING		1	1
6	544 20 00-01	DECOMPRESSION VALVE		1	
7	725 53 33-55	SCREW IHSCM		4	
8	587 15 34-01	GASKET		1	

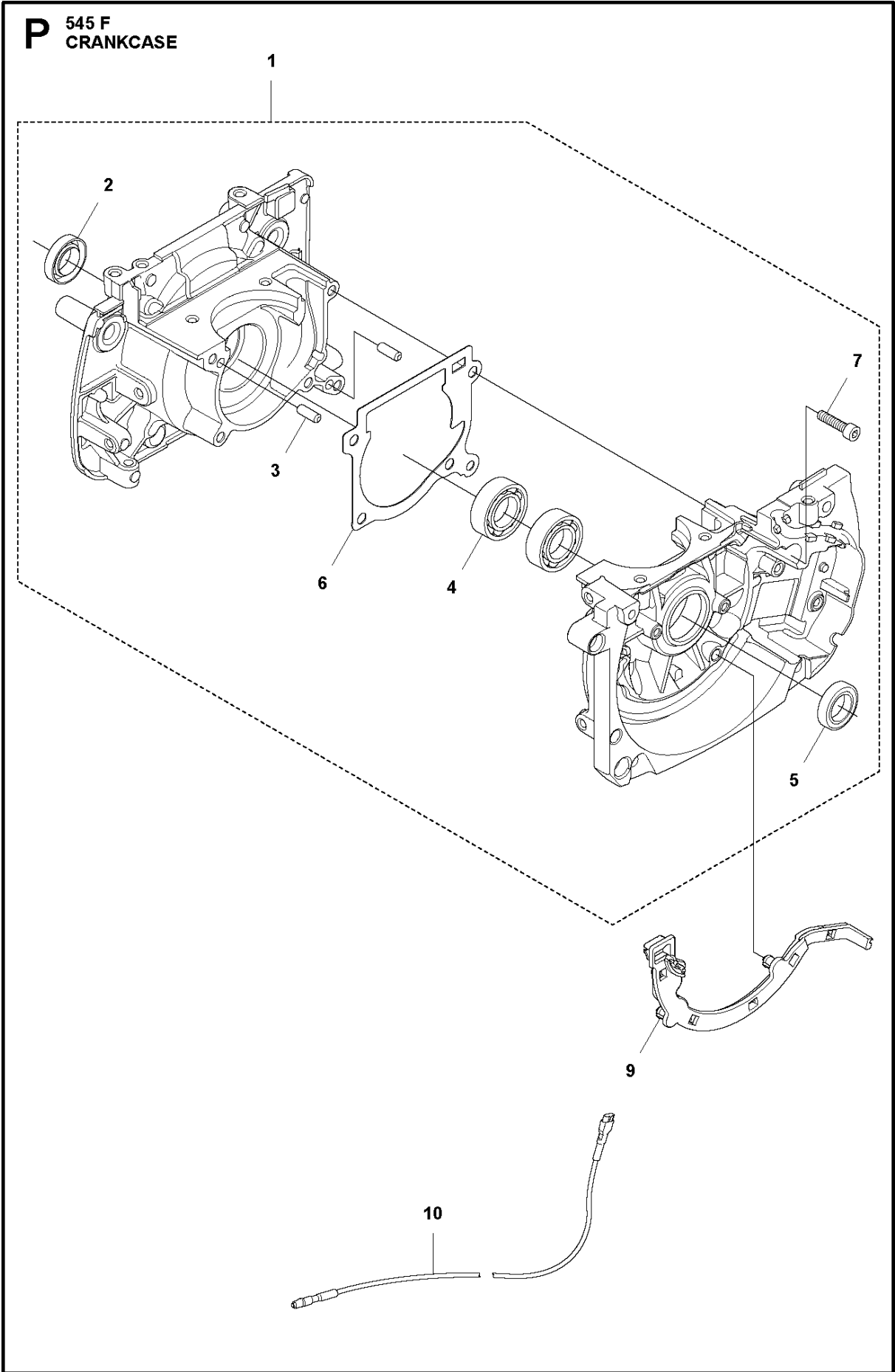
N 545 F
CRANK SHAFT



CRANKSHAFT

545 F

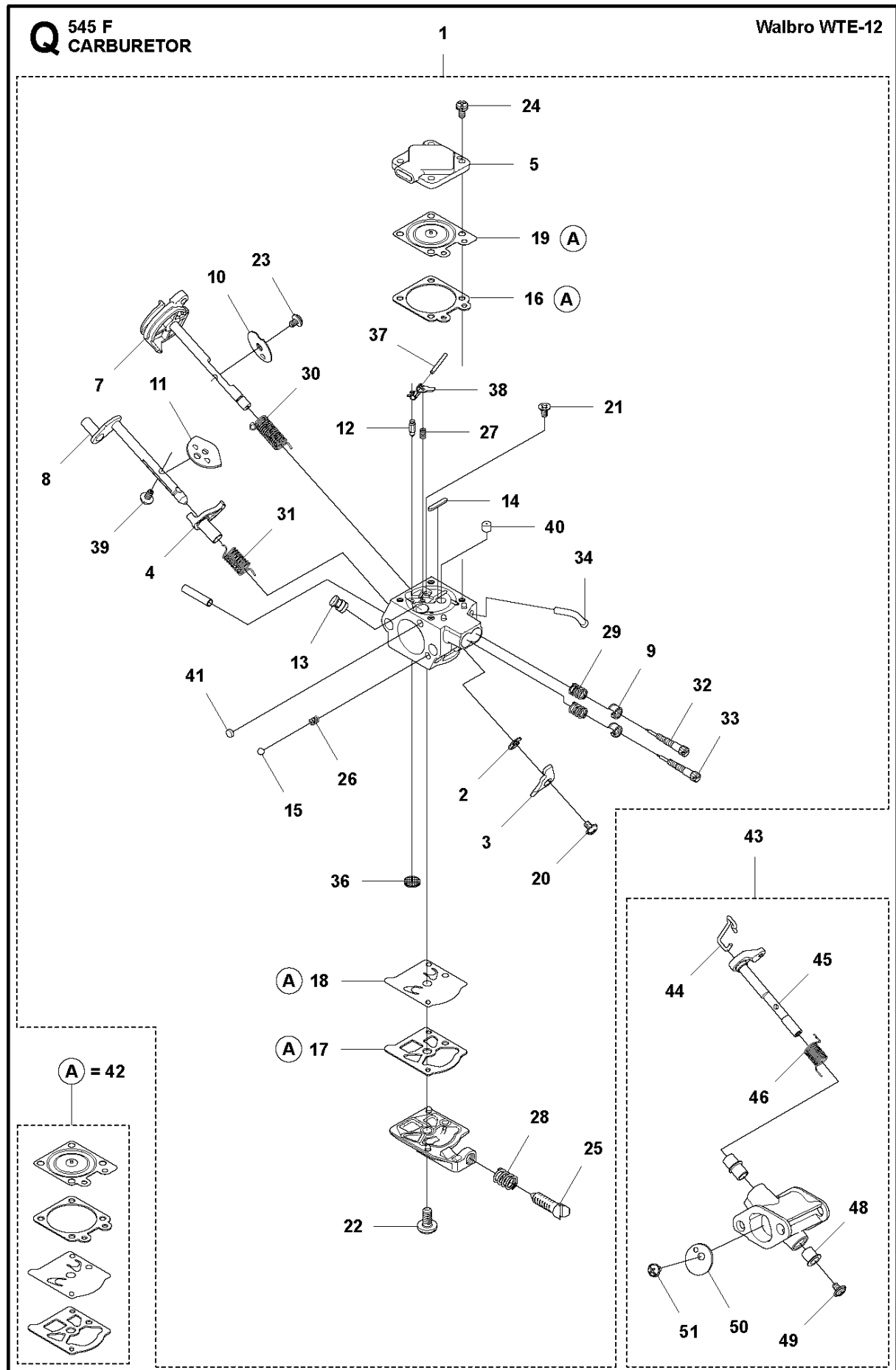
Ref	Part No	Description	Remark	QTY KIT	
1	577 27 48-03	CRANKSHAFT KIT		1	
2	577 32 49-01	RADIAL SEAL		1	1
3	503 25 63-02	NEEDLE BEARING		1	1
4	503 25 08-01	BEARING		2	1
5	505 27 57-19	SEALING RING		1	1



CRANKCASE

545 F

Ref	Part No	Description	Remark	QTY	KIT
1	588 67 63-01	CRANKCASE ASSY		1	
2	577 32 49-01	RADIAL SEAL		1	1
3	593 80 60-01	GUIDE BUSHING		2	1
4	503 25 08-01	BEARING		2	1
5	505 27 57-19	SEALING RING		1	1
6	593 77 75-01	GASKET		1	1
7	503 20 02-30	SCREW IHSCFM		5	1
9	510 17 99-01	CABLE HOLDER		1	
10	525 85 84-01	SHORT CIRCUIT CABLE		1	

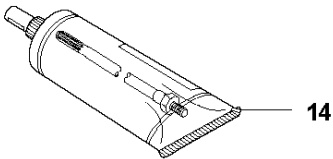
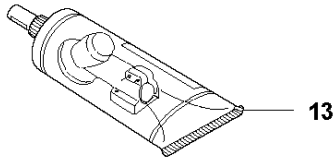
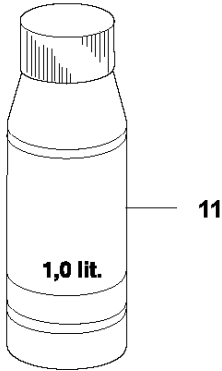
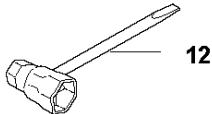
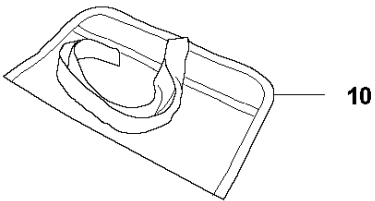
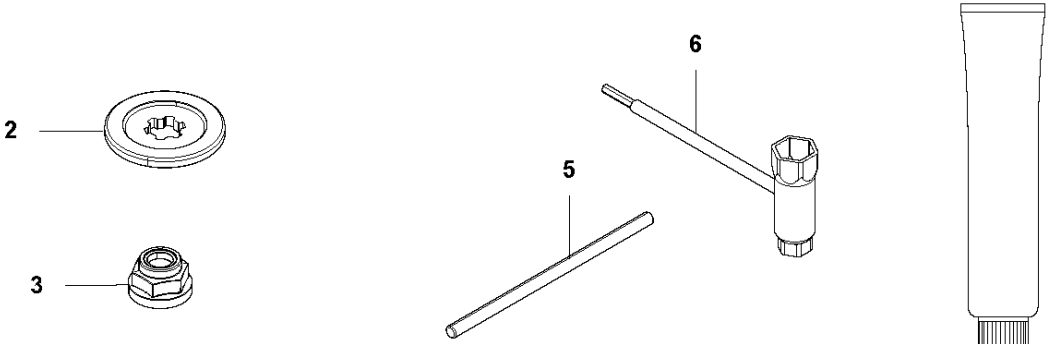
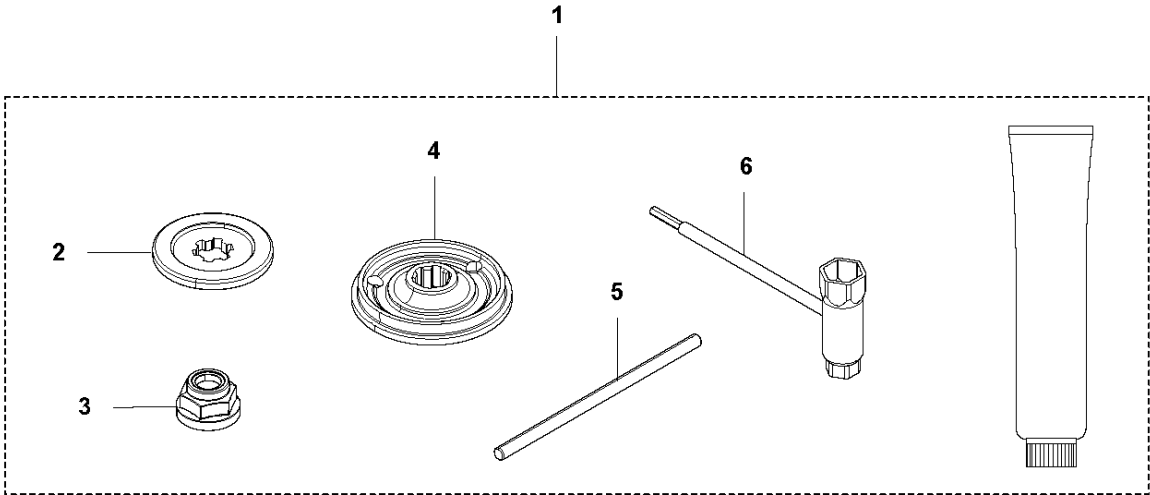


CARBURETOR

545 F

Ref	Part No	Description	Remark	QTY	KIT
1	580 80 39-01	CARBURETTOR	WTE 12A	1	
2	503 79 95-01	RETAINER RING		1	1
3	575 46 37-01	LEVER		1	1
4	544 17 77-01	LEVER		1	1
5	574 35 81-01	COVER		1	1
7	577 01 67-01	SHAFT ASSY		1	1
8	544 04 40-01	SHAFT		1	1
9	544 97 08-01	LIMITER CAP		2	1
10	503 93 51-01	VALVE		1	1
11	537 10 96-01	VALVE		1	1
12	503 56 34-01	NEEDLE VALVE		1	1
13	502 84 68-01	NOZZLE ASSY		1	1
14	502 84 69-01	PLUG		1	1
15	501 46 85-01	BALL		1	1
16	504 35 09-06	GASKET		1	1, 42
17	504 13 09-06	GASKET		1	1, 42
18	577 01 66-01	DIAPHRAGM		1	1, 42
19	580 80 42-01	DIAPHRAGM		1	1, 42
20	501 46 87-01	SCREW		1	1
21	502 84 71-01	SCREW		1	1
22	501 46 69-01	SCREW		1	1
23	537 00 34-01	SCREW		1	1
24	537 00 31-01	SCREW		4	1
25	537 40 82-01	SCREW		1	1
26	501 46 84-01	SPRING		1	1
27	501 79 59-01	SPRING		1	1
28	501 66 78-01	SPRING		1	1
29	525 75 54-01	SPRING		2	1
30	544 17 76-01	SPRING		1	1
31	544 97 11-01	SPRING		1	1
32	502 84 72-01	NEEDLE		1	1
33	502 84 73-01	NEEDLE		1	1
34	577 01 68-01	FITTING		1	1
36	501 66 61-01	SCREEN		1	1
37	505 52 01-25	PIN		1	1
38	502 84 74-01	LEVER		1	1
39	544 11 15-01	SCREW		1	1
40	505 42 69-01	JET		1	1
41	503 57 43-01	PLUG		1	1
42	515 99 96-01	GASKET KIT		1	
43	574 29 79-01	HOUSING		1	
44	522 54 33-01	LINK		1	43
45	574 32 39-01	SHAFT		1	43
46	544 97 18-01	SPRING		1	43
48	501 02 20-01	BUSHING		1	43
49	503 62 52-01	SCREW ASSY		1	43
50	522 54 35-01	VALVE		1	43
51	537 00 34-01	SCREW		1	43

R1 545 F
ACCESSORIES

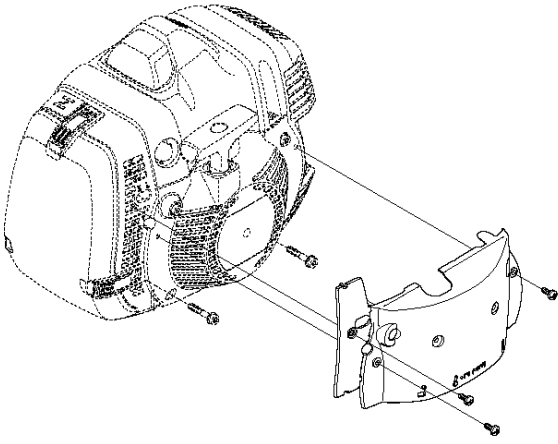
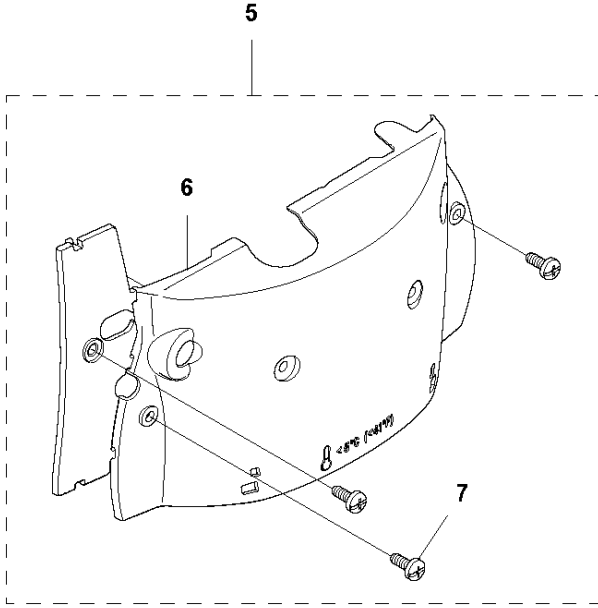
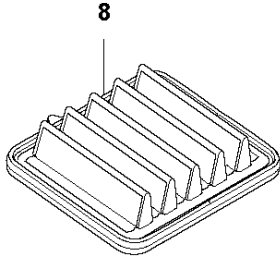
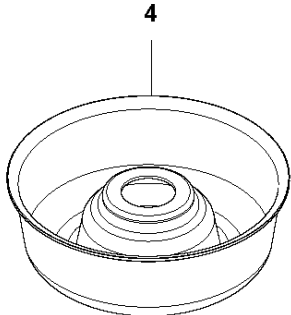
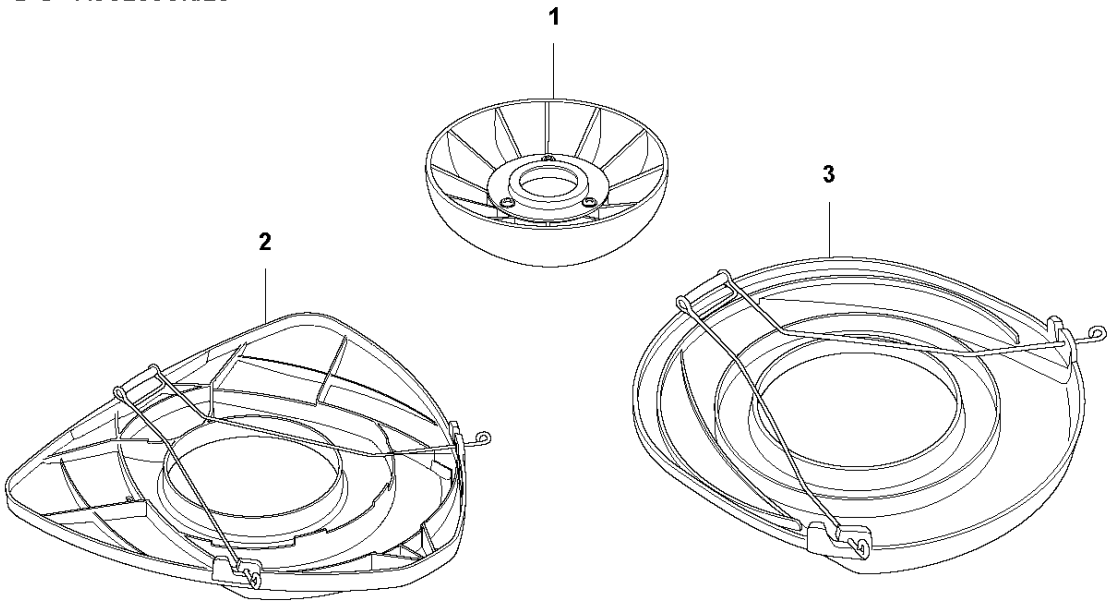


ACCESSORIES

545 F

Ref	Part No	Description	Remark	QTY	KIT
1	502 21 60-24	ACCESSORY BAG		1	
2	537 34 35-02	SUPPORT FLANGE		1	1,8
3	502 29 11-01	BLADE NUT		1	1,8
4	544 19 78-01	DRIVER		1	1
5	502 28 59-01	STOP		1	1,8
6	537 36 21-02	COMBINATION WRENCH		1	1,8
10	501 19 22-01	TOOL		1	
11	531 00 92-48	FILTER OIL		1	
12	501 69 17-02	COMBINATION WRENCH		1	
13	503 97 64-01	GREASE		1	
14	503 80 17-01	GREASE		1	

R4 545 F, 545 FX, 545 FXT, 545 RX, 545 RXT, 545 FR, 345 FR
ACCESSORIES

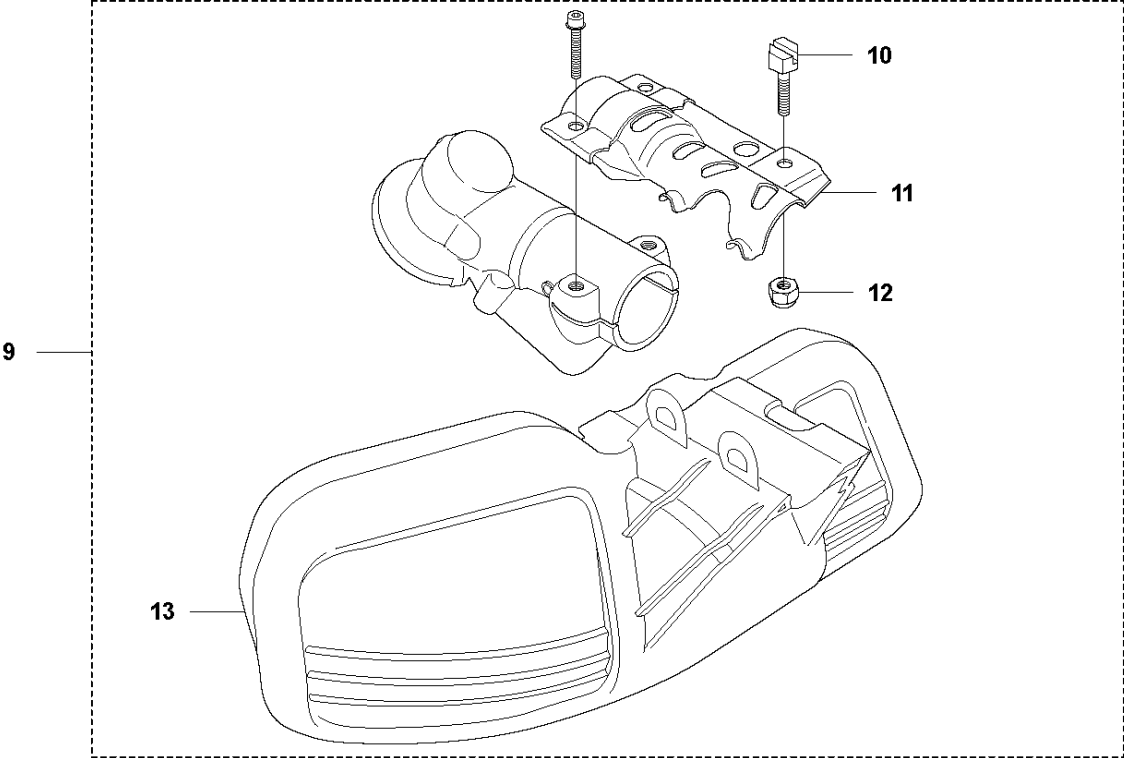
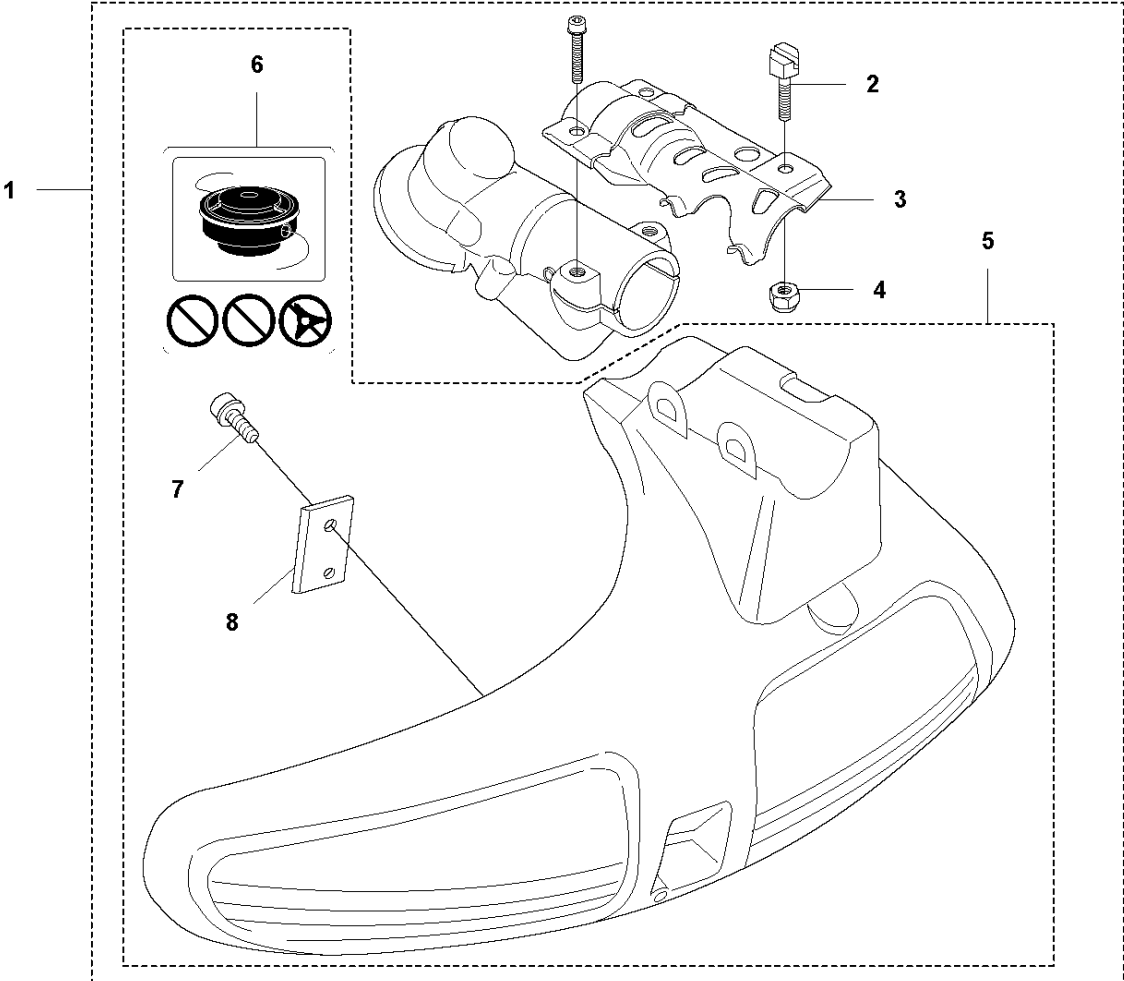


ACCESSORIES

545 F

Ref	Part No	Description	Remark	QTY	KIT
1	502 15 70-02	SUPPORT CUP		1	
2	544 35 91-01	TRANSPORT GUARD		1	
3	537 31 29-01	TRANSPORT GUARD		1	
4	544 38 02-01	SUPPORT CUP		1	
5	577 04 39-01	WINTER KIT		1	
6	522 55 09-01	WINTER COVER		1	4
7	503 21 70-10	SCREW CCRPANT		3	4
8	537 41 08-04	FILTER	Nylon 25 μ , Winter	1	

R5 545 F
ACCESSORIES

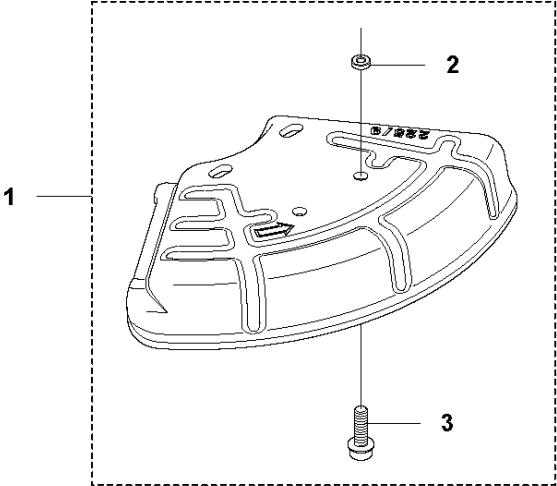


ACCESSORIES

545 F

Ref	Part No	Description	Remark	QTY	KIT
1	537 29 73-01	TRIMMER GUARD ASSY		1	
2	537 18 95-01	SCREW		1	1
3	537 23 03-01	ATTACHMENT PLATE		1	1
4	732 21 16-01	LOCK NUT		1	1
5	503 95 43-02	TRIMMER GUARD		1	1
6	503 74 29-01	DECAL		1	1,5
7	503 21 07-16	SCREW IHSCT		1	1,5
8	537 28 53-01	BLADE		1	1,5
9	537 29 74-01	BLADE GUARD		1	
10	537 18 95-01	SCREW		1	9
11	537 23 03-01	ATTACHMENT PLATE		1	9
12	732 21 16-01	LOCK NUT		1	9
13	537 28 85-01	BLADE GUARD		1	9

R6 545 F
ACCESSORIES

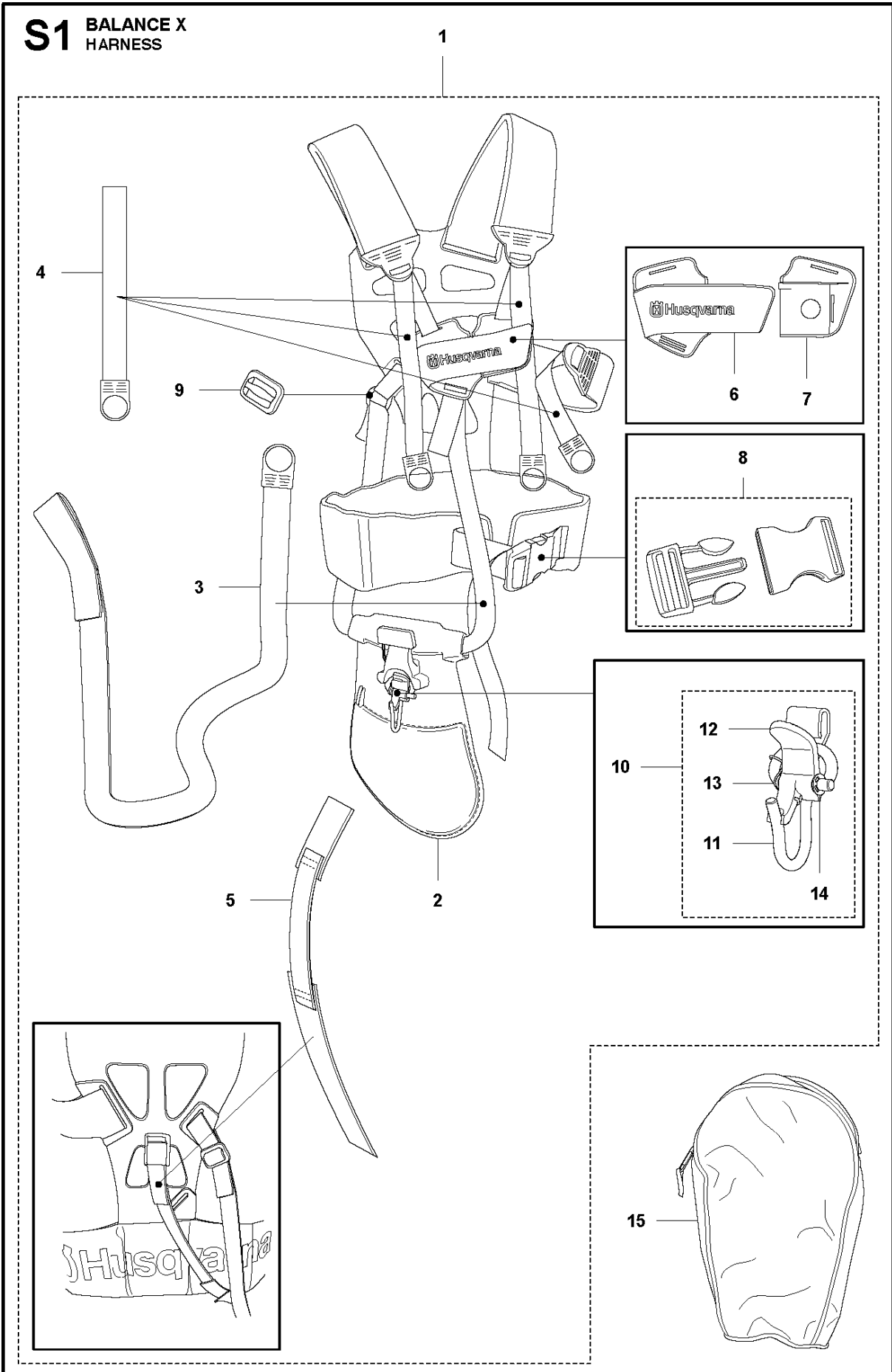


ACCESSORIES

545 F

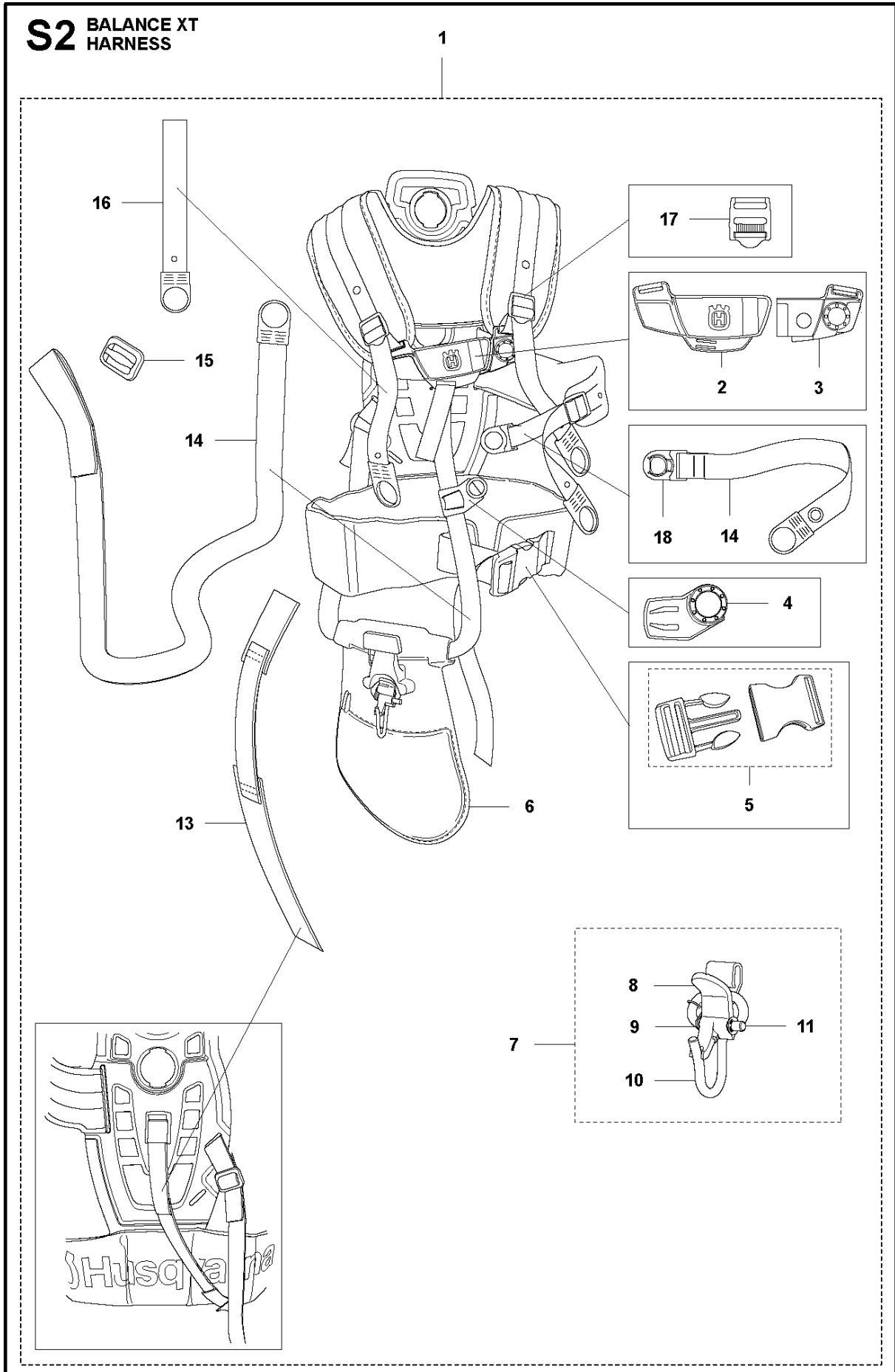
Ref	Part No	Description	Remark	QTY KIT	
1	574 50 67-02	SAW BLADE GUARD	225 mm Sawblade guard	1	
1	574 53 26-01	BLADE GUARD	200 mm Sawblade guard	1	
2	574 03 95-01	LOCK NUT		1	1
3	503 20 03-16	SCREW IHSCFM		1	1

S1 BALANCE X HARNESS



Ref	Part No	Description	Remark	QTY	KIT
1	578 44 97-01	HARNESS		1	
2	544 90 17-01	HIP PAD		1	1
3	503 99 61-04	BAND		1	1
4	503 99 61-01	BAND		3	1
5	537 15 35-01	STRAP		1	1
6	537 28 84-01	BUCKLE		1	1
7	537 28 83-01	BUCKLE		1	1
8	537 33 15-01	BUCKLE		1	1
9	537 28 70-01	BUCKLE		1	1
10	544 96 07-02	WELT HOOK		1	1
11	502 02 29-02	HOOK		1	1, 10
12	502 02 30-02	LOCK		1	1, 10
13	586 34 10-01	SPRING		1	1, 10
14	735 31 09-20	E-CLIP		1	1, 10
15	537 30 66-01	BAG	Balance X tool bag	1	

S2 BALANCE XT HARNESSES



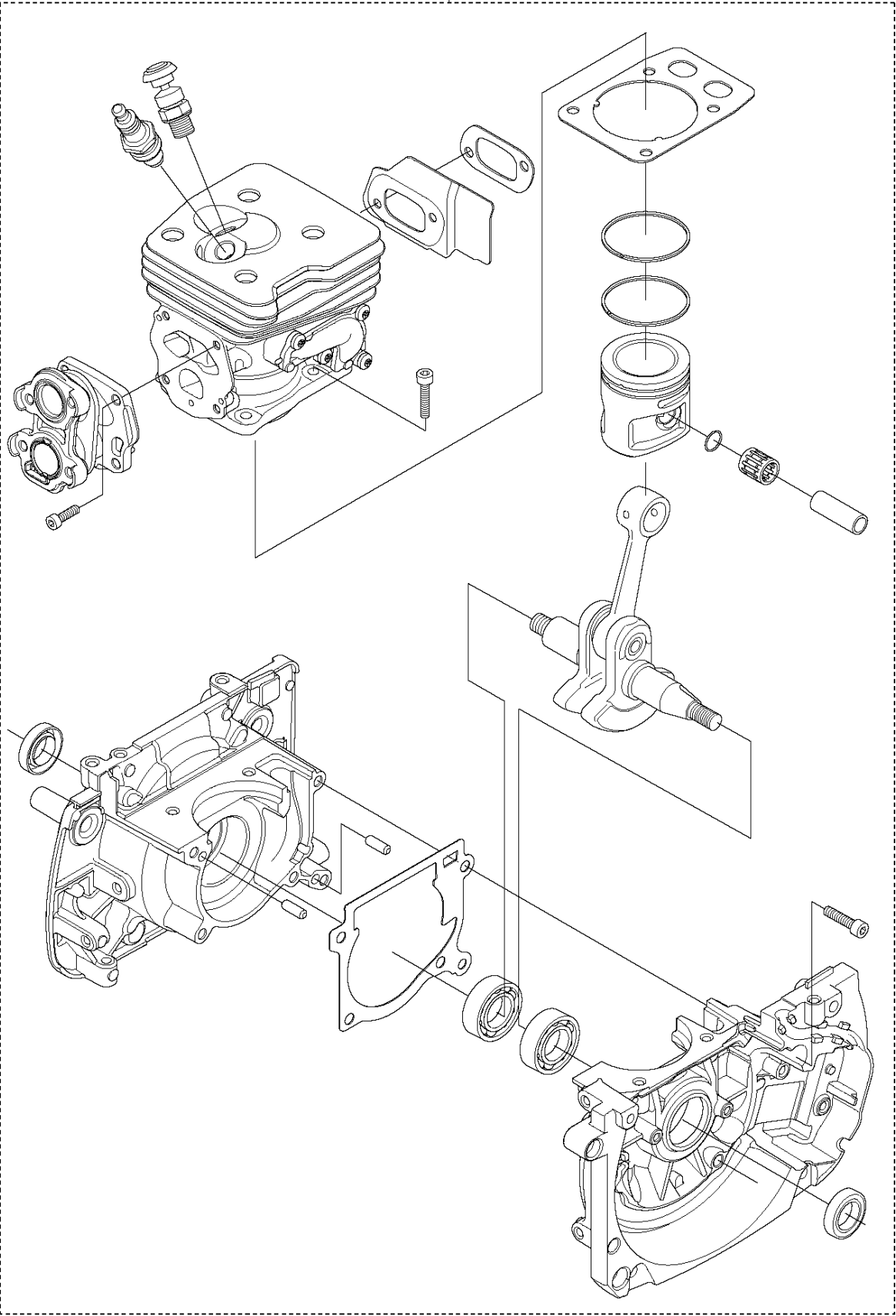
HARNESS

545 F

Ref	Part No	Description	Remark	QTY	KIT
1	578 44 98-01	HARNESS		1	
2	504 54 52-01	BUCKLE		1	1
3	504 54 51-01	BUCKLE		3	1
4	504 63 75-01	SNAP LOCKING		1	1
5	537 33 15-01	BUCKLE		1	1
6	544 90 17-03	HIP PAD		1	1
7	544 96 07-02	WELT HOOK		1	1
8	502 02 30-02	LOCK		1	1, 7
9	586 34 10-01	SPRING		1	1, 7
10	502 02 29-02	HOOK		1	1, 7
11	735 31 09-20	E-CLIP		1	1, 7
13	537 15 35-04	STRAP		1	1
14	503 99 61-09	BAND		1	1
15	537 28 70-01	BUCKLE		1	1
16	503 99 61-07	BAND		1	
17	505 44 46-01	BUCKLE		1	
18	504 63 74-01	SNAP LOCKING		1	

T 545 F
SHORT BLOCK

1



Ref	Part No	Description	Remark	QTY KIT
1	585 45 15-03	CRANKCASE SYSTEM		1