

DEWALT®

www.DeWALT.com

DCG200

English (original instructions)	3
Русский (<i>перевод с оригинала инструкции</i>)	15
Türkçe (<i>orijinal talimatlardan çevrilmiştir</i>)	30
Англійська (<i>оригінальні інструкції</i>)	44

Fig. A

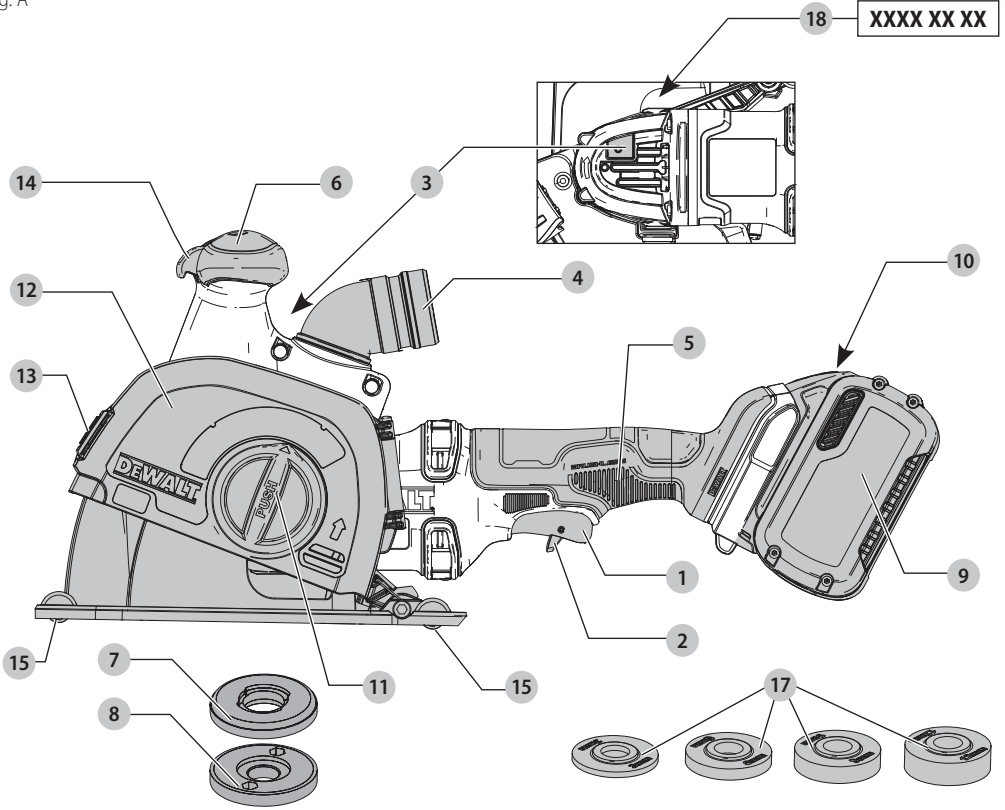


Fig. B

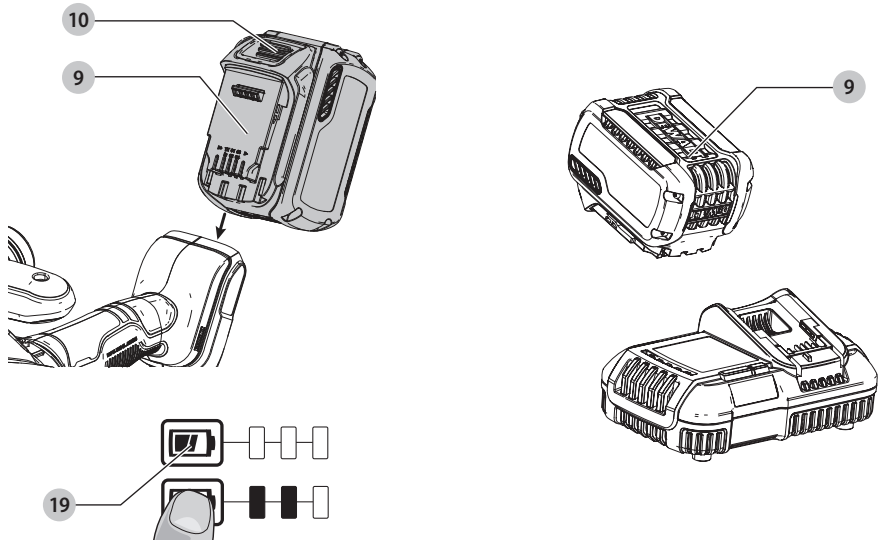


Fig. C

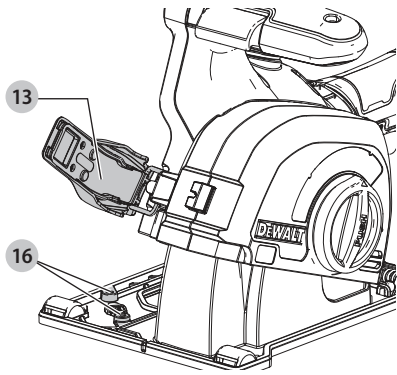


Fig. D

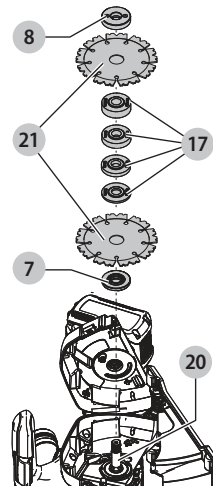


Fig. E

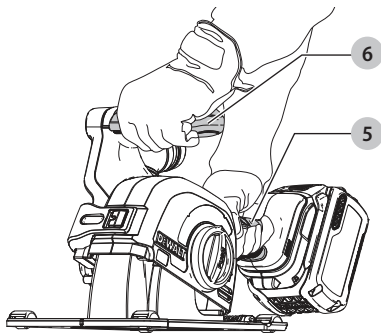


Fig. F

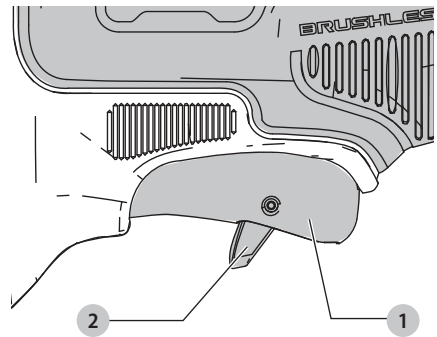


Fig. G

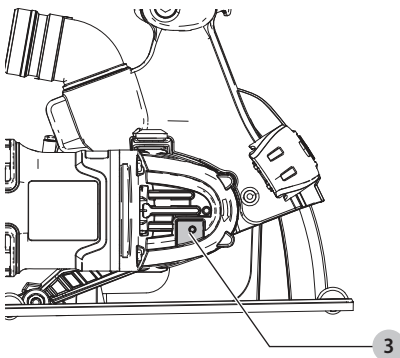
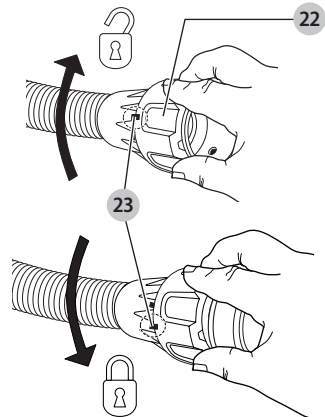


Fig. H



WALL CHASER

DCG200

Congratulations!

You have chosen a DeWALT tool. Years of experience, thorough product development and innovation make DeWALT one of the most reliable partners for professional power tool users.

Technical Data

DCG200		
Voltage	V _{DC}	54
Type		1
Battery type		Li-Ion
No-load/rated speed	min ⁻¹	9000
Diamond wheel diameter	mm	125
Diamond wheel thickness (max.)	mm	3
Bore diameter of diamond wheel	mm	22.23
Cutting depth (max.)	mm	32
Groove width (max.)	mm	35
Spindle diameter		M14
Weight (without battery pack)	kg	3.7
Noise values and vibration values (triax vector sum) according to EN60745-2-2:		
L _{PA} (emission sound pressure level)	dB(A)	102
L _{WA} (sound power level)	dB(A)	113
K (uncertainty for the given sound level)	dB(A)	3
Vibration emission value a _h =		
	m/s ²	4.7
Uncertainty K =		
	m/s ²	1.5

The vibration and/or noise emission level given in this information sheet has been measured in accordance with a standardised test given in EN60745 and may be used to compare one tool with another. It may be used for a preliminary assessment of exposure.

! **WARNING:** The declared vibration and/or noise emission level represents the main applications of the tool. However if the tool is used for different applications, with different accessories or poorly maintained, the vibration and/or noise emission may differ. This may significantly increase the exposure level over the total working period.

An estimation of the level of exposure to vibration and/or noise should also take into account the times when the tool is switched off or when it is running but not actually doing the job. This may significantly reduce the exposure level over the total working period.

Identify additional safety measures to protect the operator from the effects of vibration and/or noise such as: maintain the tool and the accessories, keep the hands warm (relevant for vibration), organisation of work patterns.

EC-Declaration of Conformity

Machinery Directive



Wall Chaser DCG200

DeWALT declares that these products described under **Technical Data** are in compliance with: 2006/42/EC, EN60745-1:2009+A11:2010, EN60745-2-22:2011+A11:2013.

These products also comply with Directive 2014/30/EU and 2011/65/EU. For more information, please contact DeWALT at the following address or refer to the back of the manual.

The undersigned is responsible for compilation of the technical file and makes this declaration on behalf of DeWALT.

Markus Rompel
Vice-President Engineering, PTE-Europe
DeWALT, Richard-Klinger-Straße 11,
D-65510, Idstein, Germany
20.12.2018



WARNING: To reduce the risk of injury, read the instruction manual.

Definitions: Safety Guidelines

The definitions below describe the level of severity for each signal word. Please read the manual and pay attention to these symbols.



DANGER: Indicates an imminently hazardous situation which, if not avoided, **will** result in **death or serious injury**.



WARNING: Indicates a potentially hazardous situation which, if not avoided, **could** result in **death or serious injury**.



CAUTION: Indicates a potentially hazardous situation which, if not avoided, **may** result in **minor or moderate injury**.

NOTICE: Indicates a practice **not related to personal injury** which, if not avoided, **may** result in **property damage**.



Denotes risk of electric shock.



Denotes risk of fire.

Batteries				Chargers/Charge Times (Minutes)							
Cat #	V _{DC}	Ah	Weight (kg)	DCB104	DCB107	DCB112	DCB113	DCB115	DCB118	DCB132	DCB119
DCB546	18/54	6.0/2.0	1.05	60	270	170	140	90	60	90	X
DCB547	18/54	9.0/3.0	1.46	75*	420	270	220	135*	75*	135*	X
DCB548	18/54	12.0/4.0	1.44	120	540	350	300	180	120	180	X
DCB181	18	1.5	0.35	22	70	45	35	22	22	22	45
DCB182	18	4.0	0.61	60/40**	185	120	100	60	60/40**	60	120
DCB183/B	18	2.0	0.40	30	90	60	50	30	30	30	60
DCB184/B	18	5.0	0.62	75/50**	240	150	120	75	75/50**	75	150
DCB185	18	1.3	0.35	22	60	40	30	22	22	22	X
DCB187	18	3.0	0.54	45	140	90	70	45	45	45	90
DCB189	18	4.0	0.54	60	185	120	100	60	60	60	120

*Date code 201811475B or later

**Date code 201536 or later

GENERAL POWER TOOL SAFETY WARNINGS



WARNING: Read all safety warnings, instructions, illustrations and specifications provided with this power tool. Failure to follow all instructions listed below may result in electric shock, fire and/or serious injury.

SAVE ALL WARNINGS AND INSTRUCTIONS FOR FUTURE REFERENCE.

The term "power tool" in the warnings refers to your mains-operated (corded) power tool or battery-operated (cordless) power tool.

1) Work Area Safety

- Keep work area clean and well lit.** Cluttered or dark areas invite accidents.
- Do not operate power tools in explosive atmospheres, such as in the presence of flammable liquids, gases or dust.** Power tools create sparks which may ignite the dust or fumes.
- Keep children and bystanders away while operating a power tool.** Distractions can cause you to lose control.

2) Electrical Safety

- Power tool plugs must match the outlet. Never modify the plug in any way. Do not use any adapter plugs with earthed (grounded) power tools.**
Unmodified plugs and matching outlets will reduce risk of electric shock.
- Avoid body contact with earthed or grounded surfaces, such as pipes, radiators, ranges and refrigerators.** There is an increased risk of electric shock if your body is earthed or grounded.
- Do not expose power tools to rain or wet conditions.**
Water entering a power tool will increase the risk of electric shock.
- Do not abuse the cord. Never use the cord for carrying, pulling or unplugging the power tool. Keep cord away from heat, oil, sharp edges or moving parts.** Damaged or entangled cords increase the risk of electric shock.

- When operating a power tool outdoors, use an extension cord suitable for outdoor use.** Use of a cord suitable for outdoor use reduces the risk of electric shock.
- If operating a power tool in a damp location is unavoidable, use a residual current device (RCD) protected supply.** Use of an RCD reduces the risk of electric shock.

3) Personal Safety

- Stay alert, watch what you are doing and use common sense when operating a power tool. Do not use a power tool while you are tired or under the influence of drugs, alcohol or medication.** A moment of inattention while operating power tools may result in serious personal injury.
- Use personal protective equipment. Always wear eye protection.** Protective equipment such as a dust mask, non-skid safety shoes, hard hat or hearing protection used for appropriate conditions will reduce personal injuries.
- Prevent unintentional starting. Ensure the switch is in the off-position before connecting to power source and/or battery pack, picking up or carrying the tool.** Carrying power tools with your finger on the switch or energising power tools that have the switch on invites accidents.
- Remove any adjusting key or wrench before turning the power tool on.** A wrench or a key left attached to a rotating part of the power tool may result in personal injury.
- Do not overreach. Keep proper footing and balance at all times.** This enables better control of the power tool in unexpected situations.
- Dress properly. Do not wear loose clothing or jewellery. Keep your hair and clothing away from moving parts.** Loose clothes, jewellery or long hair can be caught in moving parts.
- If devices are provided for the connection of dust extraction and collection facilities, ensure these are connected and properly used.** Use of dust collection can reduce dust-related hazards.

- h) **Do not let familiarity gained from frequent use of tools allow you to become complacent and ignore tool safety principles.** A careless action can cause severe injury within a fraction of a second.

4) Power Tool Use and Care

- a) **Do not force the power tool. Use the correct power tool for your application.** The correct power tool will do the job better and safer at the rate for which it was designed.
- b) **Do not use the power tool if the switch does not turn it on and off.** Any power tool that cannot be controlled with the switch is dangerous and must be repaired.
- c) **Disconnect the plug from the power source and/or remove the battery pack, if detachable, from the power tool before making any adjustments, changing accessories, or storing power tools.** Such preventive safety measures reduce the risk of starting the power tool accidentally.
- d) **Store idle power tools out of the reach of children and do not allow persons unfamiliar with the power tool or these instructions to operate the power tool.** Power tools are dangerous in the hands of untrained users.
- e) **Maintain power tools and accessories. Check for misalignment or binding of moving parts, breakage of parts and any other condition that may affect the power tool's operation. If damaged, have the power tool repaired before use.** Many accidents are caused by poorly maintained power tools.
- f) **Keep cutting tools sharp and clean.** Properly maintained cutting tools with sharp cutting edges are less likely to bind and are easier to control.
- g) **Use the power tool, accessories and tool bits etc. in accordance with these instructions, taking into account the working conditions and the work to be performed.** Use of the power tool for operations different from those intended could result in a hazardous situation.
- h) **Keep handles and grasping surfaces dry, clean and free from oil and grease.** Slippery handles and grasping surfaces do not allow for safe handling and control of the tool in unexpected situations.

5) Battery Tool Use and Care

- a) **Recharge only with the charger specified by the manufacturer.** A charger that is suitable for one type of battery pack may create a risk of fire when used with another battery pack.
- b) **Use power tools only with specifically designated battery packs.** Use of any other battery packs may create a risk of injury and fire.
- c) **When battery pack is not in use, keep it away from other metal objects, like paper clips, coins, keys, nails, screws or other small metal objects, that can make a connection from one terminal to another.** Shorting the battery terminals together may cause burns or a fire.
- d) **Under abusive conditions, liquid may be ejected from the battery; avoid contact. If contact accidentally occurs, flush with water. If liquid**

contacts eyes, additionally seek medical help. Liquid ejected from the battery may cause irritation or burns.

- e) **Do not use a battery pack or tool that is damaged or modified.** Damaged or modified batteries may exhibit unpredictable behaviour resulting in fire, explosion or risk of injury.
- f) **Do not expose a battery pack or tool to fire or excessive temperature.** Exposure to fire or temperature above 130 °C may cause explosion.
- g) **Follow all charging instructions and do not charge the battery pack or tool outside the temperature range specified in the instructions.** Charging improperly or at temperatures outside the specified range may damage the battery and increase the risk of fire.

6) Service

- a) **Have your power tool serviced by a qualified repair person using only identical replacement parts.** This will ensure that the safety of the power tool is maintained.
- b) **Never service damaged battery packs.** Service of battery packs should only be performed by the manufacturer or authorized service providers.

Additional Specific Safety Instructions for Cut-Off Machines

- a) **The guard provided with the tool must be securely attached to the power tool and positioned for maximum safety, so the least amount of wheel is exposed towards the operator. Position yourself and bystanders away from the plane of the rotating wheels.** The guard helps to protect operator from broken wheel fragments and accidental contact with wheel.
- b) **Use only diamond blades for your power tool.** Just because an accessory can be attached to your power tool, it does not assure safe operation.
- c) **The rated speed of the accessory must be at least equal to the maximum speed marked on the power tool.** Accessories running faster than their rated speed can break and fly apart.
- d) **Wheels must be used only for recommended applications. For example: do not grind with the side of cut-off wheel.** Abrasive cut-off wheels are intended for peripheral grinding, side forces applied to these wheels may cause them to shatter.
- e) **Always use undamaged wheel flanges that are of correct diameter for your selected wheel.** Proper wheel flanges support the wheel thus reducing the possibility of wheel breakage.
- f) **The outside diameter and the thickness of your accessory must be within the capacity rating of your power tool.** Incorrectly sized accessories cannot be adequately guarded or controlled.
- g) **The arbor size of wheels and flanges must properly fit the spindle of the power tool.** Wheels and flanges with arbor holes that do not match the mounting hardware of the power tool will run out of balance, vibrate excessively and may cause loss of control.

- h) **Do not use damaged wheels. Before each use, inspect the wheels for chips and cracks. If power tool or wheel is dropped, inspect for damage or install an undamaged wheel. After inspecting and installing the wheel, position yourself and bystanders away from the plane of the rotating wheel and run the power tool at maximum no load speed for one minute.** Damaged wheels will normally break apart during this test time.
- i) **Wear personal protective equipment. Depending on application, use face shield, safety goggles or safety glasses. As appropriate, wear dust mask, hearing protectors, gloves and shop apron capable of stopping small abrasive or workpiece fragments.** The eye protection must be capable of stopping flying debris generated by various operations. The dust mask or respirator must be capable of filtering particles generated by your operation. Prolonged exposure to high intensity noise may cause hearing loss.
- j) **Keep bystanders a safe distance away from work area. Anyone entering the work area must wear personal protective equipment.** Fragments of workpiece or of a broken wheel may fly away and cause injury beyond immediate area of operation.
- k) **Hold the power tool by insulated gripping surfaces only, when performing an operation where the cutting accessory may contact hidden wiring.** Cutting accessory contacting a "live" wire may make exposed metal parts of the power tool "live" and could give the operator an electric shock.
- l) **Never lay the power tool down until the accessory has come to a complete stop.** The spinning wheel may grab the surface and pull the power tool out of your control.
- m) **Do not run the power tool while carrying it at your side.** Accidental contact with the spinning accessory could snag your clothing, pulling the accessory into your body.
- n) **Regularly clean the power tool's air vents.** The motor's fan will draw the dust inside the housing and excessive accumulation of powdered metal may cause electrical hazards.
- o) **Do not operate the power tool near flammable materials.** Sparks could ignite these materials.

Kickback and Related Warnings

Kickback is a sudden reaction to a pinched or snagged rotating wheel. Pinching or snagging causes rapid stalling of the rotating wheel which in turn causes the uncontrolled power tool to be forced in the direction opposite of the wheel's rotation at the point of the binding.

For example, if a abrasive blade is snagged or pinched by the workpiece, the edge of the wheel that is entering into the pinch point can dig into the surface of the material causing the wheel to climb out or kick out. The wheel may either jump toward or away from the operator, depending on direction of the wheel's

movement at the point of pinching. Abrasive blades may also break under these conditions.

Kickback is the result of power tool misuse and/or incorrect operating procedures or conditions and can be avoided by taking proper precautions as given below.

- a) **Maintain a firm grip on the power tool and position your body and arm to allow you to resist kickback forces. Always use auxiliary handle, if provided, for maximum control over kickback or torque reaction during start-up.** The operator can control torque reactions or kickback forces, if proper precautions are taken.
- b) **Never place your hand near the rotating accessory.** Accessory may kickback over your hand.
- c) **Do not position your body in line with the rotating wheel.** Kickback will propel the tool in direction opposite to the wheel's movement at the point of snagging.
- d) **Use special care when working corners, sharp edges etc. Avoid bouncing and snagging the accessory.** Corners, sharp edges or bouncing have a tendency to snag the rotating accessory and cause loss of control or kickback.
- e) **Do not attach a saw chain, woodcarving blade, segmented diamond wheel with a peripheral gap greater than 10 mm or toothed saw blade.** Such blades create frequent kickback and loss of control.
- f) **Do not "jam" the wheel or apply excessive pressure. Do not attempt to make an excessive depth of cut.** Overstressing the wheel increases the loading and susceptibility to twisting or binding of the wheel in the cut and the possibility of kickback or wheel breakage.
- g) **When wheel is binding or when interrupting a cut for any reason, switch off the power tool and hold the power tool motionless until the wheel comes to a complete stop. Never attempt to remove the wheel from the cut while the wheel is in motion otherwise kickback may occur.** Investigate and take corrective action to eliminate the cause of wheel binding.
- h) **Do not restart the cutting operation in the workpiece. Let the wheel reach full speed and carefully re-enter the cut.** The wheel may bind, walk up or kickback if the power tool is restarted in the workpiece.
- i) **Support panels or any oversized workpiece to minimize the risk of wheel pinching and kickback.** Large workpieces tend to sag under their own weight. Supports must be placed under the workpiece near the line of cut and near the edge of the workpiece on both sides of the wheel.
- j) **Use extra caution when making a "pocket cut" into existing walls or other blind areas.** The protruding wheel may cut gas or water pipes, electrical wiring or objects that can cause kickback.

Additional Safety Information

- **Use of accessories not specified in this manual is not recommended and may be hazardous.** Use of power

boosters that would cause the tool to be driven at speeds greater than its rated speed constitutes misuse.

- **Do not use circular saw blades with this tool.** Serious injury may result.
- **Avoid bouncing the wheel or giving it rough treatment.** If this occurs, stop the tool and inspect the wheel for cracks or flaws.
- **Direct sparks away from operator, bystanders or flammable materials.** Sparks may be produced while using a sander, grinder, or wall chaser. Sparks may cause burns or start fires.
- **Always use front handle.** The front handle should always be used to maintain control of the tool at all times.
- **Never cut into area that may contain electrical wiring or piping.** Serious injury may result.
- **Clean out your tool often, especially after heavy use.** Dust and grit containing metal particles often accumulate on interior surfaces and could create an electric shock hazard.
- **Do not operate this tool for long periods of time.** **Vibration caused by tool action may be harmful to your hands and arms.** Use gloves to provide extra cushion and limit exposure by taking frequent rest periods.
- **Dust, crystalline material, vapor and smoke may be produced while working.** Always wear a dust mask or respiratory protection. Danger for health!
- **Never install more than two diamond blades.**
- **Use only diamond-tipped cutting discs.** Segmented diamond wheels may only have negative cutting angles and slots between the segments to a maximum of 10 mm.

Residual Risks

In spite of the application of the relevant safety regulations and the implementation of safety devices, certain residual risks cannot be avoided. These are:

- Impairment of hearing.
- Risk of personal injury due to flying particles.
- Risk of burns due to accessories becoming hot during operation.
- Risk of personal injury due to prolonged use.

SAVE THESE INSTRUCTIONS

Chargers

DeWALT chargers require no adjustment and are designed to be as easy as possible to operate.

Electrical Safety

The electric motor has been designed for one voltage only. Always check that the battery pack voltage corresponds to the voltage on the rating plate. Also make sure that the voltage of your charger corresponds to that of your mains.



Your DeWALT charger is double insulated in accordance with EN60335; therefore no earth wire is required.

If the supply cord is damaged, it must be replaced by a specially prepared cord available through the DeWALT service organisation.

Mains Plug Replacement (U.K. & Ireland Only)

If a new mains plug needs to be fitted:

- Safely dispose of the old plug.
- Connect the brown lead to the live terminal in the plug.
- Connect the blue lead to the neutral terminal.



WARNING: No connection is to be made to the earth terminal.

Follow the fitting instructions supplied with good quality plugs. Recommended fuse: 3 A.

Using an Extension Cable

An extension cord should not be used unless absolutely necessary. Use an approved extension cable suitable for the power input of your charger (see **Technical Data**). The minimum conductor size is 1 mm²; the maximum length is 30 m.

When using a cable reel, always unwind the cable completely.

Important Safety Instructions for All Battery Chargers

SAVE THESE INSTRUCTIONS: This manual contains important safety and operating instructions for compatible battery chargers (refer to **Technical Data**).

- Before using charger, read all instructions and cautionary markings on charger, battery pack, and product using battery pack.



WARNING: Shock hazard. Do not allow any liquid to get inside charger. Electric shock may result.



WARNING: We recommend the use of a residual current device with a residual current rating of 30mA or less.



CAUTION: Burn hazard. To reduce the risk of injury, charge only DeWALT rechargeable batteries. Other types of batteries may burst causing personal injury and damage.



CAUTION: Children should be supervised to ensure that they do not play with the appliance.

NOTICE: Under certain conditions, with the charger plugged into the power supply, the exposed charging contacts inside the charger can be shorted by foreign material. Foreign materials of a conductive nature such as, but not limited to, steel wool, aluminum foil or any buildup of metallic particles should be kept away from charger cavities. Always unplug the charger from the power supply when there is no battery pack in the cavity. Unplug charger before attempting to clean

- **DO NOT attempt to charge the battery pack with any chargers other than the ones in this manual.** The charger and battery pack are specifically designed to work together.
- **These chargers are not intended for any uses other than charging DeWALT rechargeable batteries.** Any other uses may result in risk of fire, electric shock or electrocution.
- **Do not expose charger to rain or snow.**

- **Pull by plug rather than cord when disconnecting charger.** This will reduce risk of damage to electric plug and cord.
- **Make sure that cord is located so that it will not be stepped on, tripped over, or otherwise subjected to damage or stress.**
- **Do not use an extension cord unless it is absolutely necessary.** Use of improper extension cord could result in risk of fire, electric shock, or electrocution.
- **Do not place any object on top of charger or place the charger on a soft surface that might block the ventilation slots and result in excessive internal heat.** Place the charger in a position away from any heat source. The charger is ventilated through slots in the top and the bottom of the housing.
- **Do not operate charger with damaged cord or plug—** have them replaced immediately.
- **Do not operate charger if it has received a sharp blow, been dropped, or otherwise damaged in any way.** Take it to an authorised service centre.
- **Do not disassemble charger; take it to an authorised service centre when service or repair is required.** Incorrect reassembly may result in a risk of electric shock, electrocution or fire.
- **In case of damaged power supply cord the supply cord must be replaced immediately by the manufacturer, its service agent or similar qualified person to prevent any hazard.**
- **Disconnect the charger from the outlet before attempting any cleaning. This will reduce the risk of electric shock.** Removing the battery pack will not reduce this risk.
- **NEVER attempt to connect two chargers together.**
- **The charger is designed to operate on standard 230V household electrical power. Do not attempt to use it on any other voltage.** This does not apply to the vehicular charger.

Charging a Battery (Fig. B)

1. Plug the charger into an appropriate outlet before inserting battery pack.
2. Insert the battery pack **9** into the charger, making sure the battery pack is fully seated in the charger. The red (charging) light will blink repeatedly indicating that the charging process has started.
3. The completion of charge will be indicated by the red light remaining ON continuously. The battery pack is fully charged and may be used at this time or left in the charger. To remove the battery pack from the charger, push the battery release button **10** on the battery pack.

NOTE: To ensure maximum performance and life of lithium-ion battery packs, charge the battery pack fully before first use.

Charger Operation

Refer to the indicators below for the charge status of the battery pack.

Charge Indicators

	Charging	-----	
	Fully Charged	—————	
	Hot/Cold Pack Delay*	----- —————	

*The red light will continue to blink, but a yellow indicator light will be illuminated during this operation. Once the battery pack has reached an appropriate temperature, the yellow light will turn off and the charger will resume the charging procedure. The compatible charger(s) will not charge a faulty battery pack. The charger will indicate faulty battery by refusing to light.

NOTE: This could also mean a problem with a charger.

If the charger indicates a problem, take the charger and battery pack to be tested at an authorised service centre.

Hot/Cold Pack Delay

When the charger detects a battery pack that is too hot or too cold, it automatically starts a Hot/Cold Pack Delay, suspending charging until the battery pack has reached an appropriate temperature. The charger then automatically switches to the pack charging mode. This feature ensures maximum battery pack life.

A cold battery pack will charge at a slower rate than a warm battery pack. The battery pack will charge at that slower rate throughout the entire charging cycle and will not return to maximum charge rate even if the battery pack warms.

Electronic Protection System

XR Li-Ion tools are designed with an Electronic Protection System that will protect the battery pack against overloading, overheating or deep discharge.

The tool will automatically turn off if the Electronic Protection System engages. If this occurs, place the lithium-ion battery pack on the charger until it is fully charged.

Wall Mounting

These chargers are designed to be wall mountable or to sit upright on a table or work surface. If wall mounting, locate the charger within reach of an electrical outlet, and away from a corner or other obstructions which may impede air flow. Use the back of the charger as a template for the location of the mounting screws on the wall. Mount the charger securely using drywall screws (purchased separately) at least 25.4 mm long with a screw head diameter of 7–9 mm, screwed into wood to an optimal depth leaving approximately 5.5 mm of the screw exposed. Align the slots on the back of the charger with the exposed screws and fully engage them in the slots.

Charger Cleaning Instructions



WARNING: Shock hazard. Disconnect the charger from the AC outlet before cleaning. Dirt and grease may be removed from the exterior of the charger using a cloth or soft non-metallic brush. Do not use water or any cleaning solutions. Never let any liquid get inside the tool; never immerse any part of the tool into a liquid.

Battery Packs

Important Safety Instructions for All Battery Packs

When ordering replacement battery packs, be sure to include catalogue number and voltage.

The battery pack is not fully charged out of the carton. Before using the battery pack and charger, read the safety instructions below. Then follow charging procedures outlined.

READ ALL INSTRUCTIONS

- **Do not charge or use battery in explosive atmospheres, such as in the presence of flammable liquids, gases or dust.** Inserting or removing the battery from the charger may ignite the dust or fumes.
- **Never force battery pack into charger. Do not modify battery pack in any way to fit into a non-compatible charger as battery pack may rupture causing serious personal injury.**
- Charge the battery packs only in DEWALT chargers.
- **DO NOT** splash or immerse in water or other liquids.
- **Do not store or use the tool and battery pack in locations where the temperature may reach or exceed 40 °C (104 °F) (such as outside sheds or metal buildings in summer).**
- **Do not incinerate the battery pack even if it is severely damaged or is completely worn out.** The battery pack can explode in a fire. Toxic fumes and materials are created when lithium-ion battery packs are burned.
- **If battery contents come into contact with the skin, immediately wash area with mild soap and water.** If battery liquid gets into the eye, rinse water over the open eye for 15 minutes or until irritation ceases. If medical attention is needed, the battery electrolyte is composed of a mixture of liquid organic carbonates and lithium salts.
- **Contents of opened battery cells may cause respiratory irritation.** Provide fresh air. If symptoms persists, seek medical attention.



WARNING: Burn hazard. Battery liquid may be flammable if exposed to spark or flame.



WARNING: Never attempt to open the battery pack for any reason. If battery pack case is cracked or damaged, do not insert into charger. Do not crush, drop or damage battery pack. Do not use a battery pack or charger that has received a sharp blow, been dropped, run over or damaged in any way (i.e., pierced with a nail, hit with a hammer, stepped on). Electric shock or electrocution may result. Damaged battery packs should be returned to service centre for recycling.



WARNING: Fire hazard. Do not store or carry the battery pack so that metal objects can contact exposed battery terminals. For example, do not place the battery pack in aprons, pockets, tool boxes, product kit boxes, drawers, etc., with loose nails, screws, keys, etc.



CAUTION: When not in use, place tool on its side on a stable surface where it will not cause a tripping

or falling hazard. Some tools with large battery packs will stand upright on the battery pack but may be easily knocked over.

Transportation



WARNING: Fire hazard. Transporting batteries can possibly cause fire if the battery terminals inadvertently come in contact with conductive materials. When transporting batteries, make sure that the battery terminals are protected and well insulated from materials that could contact them and cause a short circuit. **NOTE:** Lithium-ion batteries should not be put in checked baggage.

DEWALT batteries comply with all applicable shipping regulations as prescribed by industry and legal standards which include UN Recommendations on the Transport of Dangerous Goods; International Air Transport Association (IATA) Dangerous Goods Regulations, International Maritime Dangerous Goods (IMDG) Regulations, and the European Agreement Concerning The International Carriage of Dangerous Goods by Road (ADR). Lithium-ion cells and batteries have been tested to section 38.3 of the UN Recommendations on the Transport of Dangerous Goods Manual of Tests and Criteria.

In most instances, shipping a DEWALT battery pack will be excepted from being classified as a fully regulated Class 9 Hazardous Material. In general, only shipments containing a lithium-ion battery with an energy rating greater than 100 Watt Hours (Wh) will require being shipped as fully regulated Class 9. All lithium-ion batteries have the Watt Hour rating marked on the pack. Furthermore, due to regulation complexities, DEWALT does not recommend air shipping lithium-ion battery packs alone regardless of Watt Hour rating. Shipments of tools with batteries (combo kits) can be air shipped as excepted if the Watt Hour rating of the battery pack is no greater than 100 Whr. Regardless of whether a shipment is considered excepted or fully regulated, it is the shipper's responsibility to consult the latest regulations for packaging, labeling/marketing and documentation requirements.

The information provided in this section of the manual is provided in good faith and believed to be accurate at the time the document was created. However, no warranty, expressed or implied, is given. It is the buyer's responsibility to ensure that its activities comply with the applicable regulations.

Storage Recommendations

1. The best storage place is one that is cool and dry away from direct sunlight and excess heat or cold. For optimum battery performance and life, store battery packs at room temperature when not in use.
2. For long storage, it is recommended to store a fully charged battery pack in a cool, dry place out of the charger for optimal results.

NOTE: Battery packs should not be stored completely depleted of charge. The battery pack will need to be recharged before use.

Labels on Charger and Battery Pack

In addition to the pictographs used in this manual, the labels on the charger and the battery pack may show the following pictographs:



Read instruction manual before use.



See **Technical Data** for charging time.



Do not probe with conductive objects.



Do not charge damaged battery packs.



Do not expose to water.



Have defective cords replaced immediately.



Charge only between 4 °C and 40 °C.



Only for indoor use.



Discard the battery pack with due care for the environment.

LI-ION



Charge DEWALT battery packs only with designated DEWALT chargers. Charging battery packs other than the designated DEWALT batteries with a DEWALT charger may make them burst or lead to other dangerous situations.



Do not incinerate the battery pack.

Battery Type

The DCG200 operate on a 54 volt battery pack. These battery packs may be used: DCB546, DCB547, DCB548. Refer to **Technical Data** for more information.

Package Contents

The package contains:

- 1 Wall chaser
- 2 Diamond blades
- 1 Chisel
- 1 Unthreaded backing flange
- 1 Threaded locking flange
- 1 3 mm Spacer
- 1 6 mm Spacer
- 1 9 mm Spacer
- 1 12 mm Spacer

- 1 Hex wrench
- 1 Charger
- 1 Li-Ion battery pack (C1, D1, L1, M1, P1, S1, T1, X1, Y1 models)
- 2 Li-Ion battery packs (C2, D2, L2, M2, P2, S2, T2, X2, Y2 models)
- 3 Li-Ion battery packs (C3, D3, L3, M3, P3, S3, T3, X3, Y3 models)
- 1 Instruction manual

NOTE: Battery packs, chargers and kitboxes are not included with N models. Battery packs and chargers are not included with NT models. B models include Bluetooth® battery packs.

NOTE: The Bluetooth® word mark and logos are registered trademarks owned by the Bluetooth® SIG, Inc. and any use of such marks by DEWALT is under license. Other trademarks and trade names are those of their respective owners.

- Check for damage to the tool, parts or accessories which may have occurred during transport.
- Take the time to thoroughly read and understand this manual prior to operation.

Markings on Tool

The following pictographs are shown on the tool:



Read instruction manual before use.



Wear ear protection.



Wear eye protection.

Date Code Position (Fig. A)

The date code **18**, which also includes the year of manufacture, is printed into the housing.

Example:

2019 XX XX
Year of Manufacture

Description (Fig. A, C)



WARNING: Never modify the power tool or any part of it. Damage or personal injury could result.

- | | |
|-----------------------------|--|
| 1 Trigger switch | 10 Battery release button |
| 2 Lock-off lever | 11 Depth adjustment dial |
| 3 Spindle lock button | 12 Guard |
| 4 Dust extraction port | 13 Blade access latch |
| 5 Main handle | 14 Lower guard release button |
| 6 Auxiliary handle | 15 Roller wheels |
| 7 Unthreaded backing flange | 16 Bluetooth® tool tag mounting holes (Fig. C) |
| 8 Threaded locking flange | 17 Spacers |
| 9 Battery | |

Intended Use

Your wall chaser has been designed for professional chasing applications in concrete and masonry without the need for water.

DO NOT use under wet conditions or in the presence of flammable liquids or gases.

This wall chaser is a professional power tool.

DO NOT let children come into contact with the tool.

Supervision is required when inexperienced operators use this tool.

- **Young children and the infirm.** This appliance is not intended for use by young children or infirm persons without supervision.
- This product is not intended for use by persons (including children) suffering from diminished physical, sensory or mental abilities; lack of experience, knowledge or skills unless they are supervised by a person responsible for their safety. Children should never be left alone with this product.

Electronic Clutch

The electronic torque limiting clutch reduces the maximum torque reaction transmitted to the operator in case of jamming of a diamond blade. This feature also prevents the gearing and electric motor from stalling. The torque limiting clutch has been factory-set and cannot be adjusted.

Brake

Once the power is shut off, the brake stops the diamond blades spinning more quickly than a unit without this feature. This improves efficiency and increases user protection. Stopping time will vary depending upon the type of wheel used.

DEWALT Bluetooth® Tool Tag Ready (Fig. C)

Optional Accessory



WARNING: Read instruction manual for the DEWALT Bluetooth® Tool Tag.



WARNING: Turn tool off and disconnect battery pack before installing the DEWALT Bluetooth® Tool Tag.



WARNING: When installing or replacing the DEWALT Bluetooth® Tool Tag, use only the screws provided. Be sure to securely tighten the screws.

Your tool comes with mounting holes **16** for installing a DEWALT Bluetooth® Tool Tag (DCE041). Use only the original fasteners included with the tool tag. You will need a T15 (Torx) bit tip to install the tag. The DEWALT Tool Tag is designed for tracking and locating professional power tools, equipment, and machines using the DEWALT Tool Connect™ app. For proper installation of the DEWALT Tool Tag refer to the DEWALT Tool Tag manual.

Depth Adjustment Dial (Fig. A)

To adjust the cutting depth, push in on the depth adjustment dial **11** and rotate to the desired depth. Ensure the depth adjustment is set to the required depth of the channel.

Always return the tool to the "Park" position (P) after use.

ASSEMBLY AND ADJUSTMENTS



WARNING: To reduce the risk of serious personal injury, turn tool off and disconnect battery pack before making any adjustments or removing/installing attachments or accessories. An accidental start-up can cause injury.



WARNING: Use only DEWALT battery packs and chargers.

Inserting and Removing the Battery Pack from the Tool (Fig. B)

NOTE: Make sure your battery pack **9** is fully charged.

To Install the Battery Pack into the Tool Handle

1. Align the battery pack **9** with the rails inside the tool's handle (Fig. B).
2. Slide it into the handle until the battery pack is firmly seated in the tool and ensure that you hear the lock snap into place.

To Remove the Battery Pack from the Tool

1. Press the release button **10** and firmly pull the battery pack out of the tool handle.
2. Insert battery pack into the charger as described in the charger section of this manual.

Fuel Gauge Battery Packs (Fig. B)

Some DEWALT battery packs include a fuel gauge which consists of three green LED lights that indicate the level of charge remaining in the battery pack.

To actuate the fuel gauge, press and hold the fuel gauge button **19**. A combination of the three green LED lights will illuminate designating the level of charge left. When the level of charge in the battery is below the usable limit, the fuel gauge will not illuminate and the battery will need to be recharged.

NOTE: The fuel gauge is only an indication of the charge left on the battery pack. It does not indicate tool functionality and is subject to variation based on product components, temperature and end-user application.

Installing Diamond Blades (Fig. A, C, D)



WARNING: To reduce the risk of serious personal injury, turn tool off and disconnect battery pack before making any adjustments or removing/installing attachments or accessories. An accidental start-up can cause injury.



WARNING: Burn Hazard. Sharp parts. ALWAYS wear gloves when changing diamond blades. Diamond blades have sharp edges or may get extremely hot during operation, and may damage bare hands.



WARNING: Never install more than two diamond blades.



WARNING: All spacers need to be installed. Lay unit on a firm surface, with the spindle **20** facing upward.

1. Unlatch the guard locking lever **13** and open the guard **12**.
2. Install the unthreaded backing flange **7** on spindle **20** with the raised centre (pilot) facing upward.




3. Ensure the flange is seated correctly by rotating it until it slots into place.
4. Place a diamond blade **21** against the backing flange, centring the diamond blade on the raised centre (pilot) of the backing flange.
5. Ensure the direction arrows on the diamond blade match those that are molded into the inside of the guard.
6. To create the desired groove width between the two diamond blades, add spacers **17** as needed with the raised centre (pilot) facing upward.
7. Place the second diamond blade on the spacer.
8. Install any remaining spacers.
9. While depressing the spindle lock button **3** and with the hex depressions facing away from the diamond blade, thread the threaded locking flange **8** on the spindle so that the lugs engage the two slots in the spindle.
10. While depressing the spindle lock button, tighten the threaded locking flange with the hex wrench.
11. Securely latch the guard locking lever.
12. To remove the diamond blades, depress the spindle lock button and loosen the threaded locking flange with the hex wrench.

Prior to Operation

- Be sure the inner and outer flange are mounted correctly.
- Make sure the diamond blades rotate in the direction of the arrows on the accessory and the tool.
- Do not use a damaged diamond blade. Before each use inspect the diamond blades for chips and cracks or excess wear. If the power tool or diamond blade is dropped, inspect for damage or install an undamaged diamond blade. After inspecting and installing a diamond blade, position yourself and bystanders away from the plane of the rotating diamond blade and run the power tool at maximum no-load speed for one minute.


OPERATION


Instructions for Use

-  **WARNING:** Always observe the safety instructions and applicable regulations.
-  **WARNING:** To reduce the risk of serious personal injury, turn tool off and disconnect battery pack before making any adjustments or removing/ installing attachments or accessories. An accidental start-up can cause injury.
-  **WARNING:**
 - Apply only a gentle pressure to the tool. Do not exert side pressure on the diamond blade.
 - Always wear appropriate safety equipment like eye and hearing protection and regular working gloves while operating this tool.
 - The gear case becomes very hot during use.
 - Always install the guard and appropriate diamond blades. Do not use excessively worn diamond blades.

- Be sure the inner and outer flange are mounted correctly.
- Make sure the diamond blade rotates in the direction of the arrows on the accessory and the tool.
- Avoid overloading. Should the tool become hot, let it run a few minutes under no load condition to cool the diamond blades. Do not touch diamond blades before they have cooled. The diamond blades become very hot during use.
- Do not use the power tool with a cut-off stand.
- Never use blotters together with diamond blades.
- Be aware, the diamond blades continue to rotate after the tools is switched off.


Proper Hand Position (Fig. E)

 **WARNING:** To reduce the risk of serious personal injury, ALWAYS use proper hand position as shown.

 **WARNING:** To reduce the risk of serious personal injury, ALWAYS hold securely in anticipation of a sudden reaction.

Proper hand position requires one hand on the main handle **5**, with the other hand on the auxiliary handle **6**

Wireless Tool Control (Fig. A)


 **CAUTION:** Read all safety warnings, instruction and specifications of the appliance which is paired with the wall chaser.


Your wall chaser is equipped with a Wireless Tool Control transmitter which allows your wall chaser to be wirelessly paired with another Wireless Tool Control device, such as a dust extractor.

To pair your wall chaser using Wireless Tool Control, press and hold the trigger switch **1** on the wall chaser and the Wireless Tool Control pairing button on the separate device. An LED on the separate device will let you know when your wall chaser has been successfully paired.

Trigger Switch and Lock-off Lever (Fig. F)

1. To turn the tool on, push the lock-off lever **2** toward the back of the tool, then depress the trigger switch **1**. The tool will run while the switch is depressed.
2. Turn the tool off by releasing the trigger switch.

 **WARNING:** Hold the auxiliary handle and body of the tool firmly to maintain control of the tool at start up and during use and until the diamond blades stop rotating. Make sure the diamond blades have come to a complete stop before laying the tool down.

 **WARNING:** Allow the tool to reach full speed before touching tool to the work surface. Remove the tool from the work surface before turning the tool off.

Spindle Lock (Fig. G)

The spindle lock button **3** is provided to prevent the spindle from rotating when installing or removing diamond blades. Operate the spindle lock only when the tool is turned off,

unplugged from the power supply, and has come to a complete stop.

NOTICE: To reduce the risk of damage to the tool, do not engage the spindle lock while the tool is operating. Damage to the tool will result and attached diamond blades may spin off possibly resulting in injury.

To engage the lock, depress the spindle lock button **3** and rotate the spindle until you are unable to rotate the spindle further.

Dust Extraction (Fig. A, H)



WARNING: Risk of dust inhalation. To reduce the risk of personal injury, **ALWAYS** wear an approved dust mask.



WARNING: ALWAYS use a dust class M vacuum extractor designed in compliance with the applicable directives regarding dust emission when cutting hazardous dust.

The dust extraction port **4** allows you to connect the tool to an external dust extractor, either using the AirLock system, or a standard 35 mm dust extractor fitment. The dust extraction port is adjustable through 180 degrees.

The AirLock connector **22** connects directly to DEWALT compatible tools and extractors.

1. Ensure the collar on the AirLock connector is in the unlock position. (Refer to Figure H) Align notches **23** on collar and AirLock connector as shown for unlock and lock positions.
2. Push the AirLock connector onto the dust extraction port.
3. Rotate the collar to the locked position.

NOTE: The ball bearings inside collar lock into slot and secure the connection. The power tool is now securely connected to the dust extractor.

Personal Safety

1. No children or pregnant women should enter the work area where the paint sanding or wire brushing is being done until all clean up is completed.
2. A dust mask or respirator should be worn by all persons entering the work area. The filter should be replaced daily or whenever the wearer has difficulty breathing.

NOTE: Only those dust masks suitable for working with lead paint dust and fumes should be used. Ordinary painting masks do not offer this protection. See your local hardware dealer for the proper approved mask.
3. NO EATING, DRINKING or SMOKING should be done in the work area to prevent ingesting contaminated paint particles. Workers should wash and clean up BEFORE eating, drinking or smoking. Articles of food, drink, or smoking should not be left in the work area where dust would settle on them.

Cleaning and Disposal

1. Plastic drop cloths should be gathered up and disposed of along with any dust chips or other removal debris. They should be placed in sealed refuse receptacles and disposed of through regular waste pick-up procedures. During clean up, children and pregnant women should be kept away from the immediate work area.

2. All toys, washable furniture and utensils used by children should be washed thoroughly before being used again.

Chasing

1. Always use dust extraction.
2. Set the correct depth and width.
3. Position yourself so that the open-underside of the guard is facing away from you.
4. Ensure the base of the guard is always flat to the surface to allow for efficient dust extraction.
5. Allow the tool to reach full speed before touching the tool to the work surface.
6. Apply minimum pressure to the work surface, allowing the tool to operate at high speed. Cutting rate is greatest when the tool operates at high speed.
7. When using on vertical surfaces always start at the top and pull the tool down, following the direction arrows as indicated on the shoe.
8. Once a cut is begun and a notch is established in the workpiece, do not change the angle of the cut. Changing the angle will cause the diamond blades to bend and may cause breakage. Diamond blades are not designed to withstand side pressures caused by bending.
9. Continue to slowly apply pressure until the pre-set blade depth is reached.
10. Remove the tool from the work surface before turning the tool off. Allow the tool to stop rotating before laying it down.

Working Advice

Exercise caution when cutting slots in structural walls.

Slots in structural walls are subject to the country-specific regulations. These regulations are to be observed under all circumstances. Before beginning work, consult the responsible structural engineer, architect or the construction supervisor.

MAINTENANCE

Your power tool has been designed to operate over a long period of time with a minimum of maintenance. Continuous satisfactory operation depends upon proper tool care and regular cleaning.



WARNING: To reduce the risk of serious personal injury, turn tool off and disconnect battery pack before making any adjustments or removing/installing attachments or accessories. An accidental start-up can cause injury.

The charger and battery pack are not serviceable.



Lubrication

Your power tool requires no additional lubrication.



Cleaning



WARNING: Blow dirt and dust out of the main housing with dry air as often as dirt is seen collecting in and around the air vents. Wear approved eye protection and approved dust mask when performing this procedure.



WARNING: Never use solvents or other harsh chemicals for cleaning the non-metallic parts of the tool. These chemicals may weaken the materials used in these parts. Use a cloth dampened only with water and mild soap. Never let any liquid get inside the tool; never immerse any part of the tool into a liquid.

Optional Accessories



WARNING: Since accessories, other than those offered by DEWALT, have not been tested with this product, use of such accessories with this tool could be hazardous. To reduce the risk of injury, only DEWALT recommended accessories should be used with this product.

Consult your dealer for further information on the appropriate accessories.

Protecting the Environment



Separate collection. Products and batteries marked with this symbol must not be disposed of with normal household waste.

Products and batteries contain materials that can be recovered or recycled reducing the demand for raw materials. Please recycle electrical products and batteries according to local provisions. Further information is available at www.2helpU.com.

Rechargeable Battery Pack

This long life battery pack must be recharged when it fails to produce sufficient power on jobs which were easily done before. At the end of its technical life, discard it with due care for our environment:

- Run the battery pack down completely, then remove it from the tool.
- Li-Ion cells are recyclable. Take them to your dealer or a local recycling station. The collected battery packs will be recycled or disposed of properly.

ШТРОБОРЕЗ

DCG200

Поздравляем!

Вы приобрели инструмент DEWALT. Многолетний опыт, тщательная разработка изделий и инновации делают компанию DEWALT одним из самых надёжных партнеров для пользователей профессионального электроинструмента.

Технические характеристики

		DCG200
Напряжение	V _{пост.тока}	54
Тип		1
Тип батареи		Ионно-литиевая
Скорость без нагрузки/номинальная скорость	об/мин.	9000
Диаметр алмазного диска	мм	125
Толщина алмазного диска (макс.)	мм	3
Диаметр посадочного отверстия алмазного диска	мм	22,23
Глубина реза (макс.)	мм	32
Ширина канавки (макс.)	мм	35
Диаметр шпинделя		M14
Вес (без аккумуляторной батареи)	кг	3,7
Значения шума и вибрации (сумма векторов в трех плоскостях) в соответствии с EN60745-2-2:		
L _{pa} (уровень звукового давления)	дБ(А)	102
L _{wa} (уровень звуковой мощности)	дБ(А)	113
K (погрешность измерения акустической мощности)	дБ(А)	3
Значение вибрационного воздействия a _h =		
Погрешность K =	м/с ²	4,7
	м/с ²	1,5

Значение шумовой эмиссии и/или эмиссии вибрации, указанное в данном справочном листке, было получено в соответствии со стандартным тестом, приведенным в EN60745, и может использоваться для сравнения инструментов. Кроме того, оно может использоваться для предварительной оценки воздействия вибрации.

⚠ ОСТОРОЖНО! Заявленное значение шумовой эмиссии и/или эмиссии вибрации относится к основным областям применения инструмента. Однако, если инструмент используется для различных целей, с различными дополнительными принадлежностями или при ненадлежащем уходе, то уровень шума и/или вибрации может измениться. Это может привести к значительному увеличению уровня воздействия вибрации в течение всего рабочего периода.

При расчете приблизительного значения уровня воздействия шума и/или вибрации также необходимо учитывать время, когда инструмент

выключен или то время, когда он работает на холостом ходу. Это может привести к значительному снижению уровня воздействия вибрации в течение всего рабочего периода.

Определите дополнительные меры техники безопасности для защиты оператора от воздействия шума и/или вибрации, а именно: поддержание инструмента и дополнительных принадлежностей в рабочем состоянии, создание комфортных условий работы (соответствующих вибрации), хорошая организация рабочего места.

Декларация о соответствии нормам ЕС

Директива по механическому оборудованию



Штроборез DCG200

DEWALT заявляет, что продукция, описанная в **Технические характеристики**, соответствует:

2006/42/EC, EN60745-1:2009+A11:2010, EN60745-2-22:2011+A11:2013.

Эти продукты также соответствуют Директиве 2014/30/EU и 2011/65/EU. За дополнительной информацией обращайтесь в компанию DEWALT по адресу, указанному ниже или приведенному на задней стороне обложки руководства.

Нижеподписавшийся несет ответственность за составление технической документации и составил данную декларацию по поручению компании DEWALT.

Маркус Ромпель
Вице-президент отдела по разработке и производству,
PTE-Europe
DEWALT, Richard-Klinger-Straße 11,
D-65510, Idstein, Германия
20.12.2018



ВНИМАНИЕ: Во избежание риска получения травм ознакомьтесь с инструкцией.

Обозначения: правила техники безопасности

Ниже описывается уровень опасности, обозначаемый каждым из предупреждений. Прочитайте руководство и обратите внимание на данные символы.



ОПАСНО: Обозначает опасную ситуацию, которая неизбежно приведет к серьезной травме или

Батареи				Зарядные устройства/время зарядки (мин)							
Кат. №	V _{НОМ. ТОКА}	Ah	Вес (kg)	DCB104	DCB107	DCB112	DCB113	DCB115	DCB118	DCB132	DCB119
DCB546	18/54	6.0/2.0	1.05	60	270	170	140	90	60	90	X
DCB547	18/54	9.0/3.0	1.46	75*	420	270	220	135*	75*	135*	X
DCB548	18/54	12.0/4.0	1.44	120	540	350	300	180	120	180	X
DCB181	18	1.5	0.35	22	70	45	35	22	22	22	45
DCB182	18	4.0	0.61	60/40**	185	120	100	60	60/40**	60	120
DCB183/B	18	2.0	0.40	30	90	60	50	30	30	30	60
DCB184/B	18	5.0	0.62	75/50**	240	150	120	75	75/50**	75	150
DCB185	18	1.3	0.35	22	60	40	30	22	22	22	X
DCB187	18	3.0	0.54	45	140	90	70	45	45	45	90
DCB189	18	4.0	0.54	60	185	120	100	60	60	60	120

*Код даты 201811475В или новее

**Код даты 201536 или новее

смертельному исходу, в случае несоблюдения соответствующих мер безопасности.



ВНИМАНИЕ: Указывает на потенциально опасную ситуацию, которая, в случае несоблюдения соответствующих мер безопасности, может привести к **серьезной травме или смертельному исходу**.



ПРЕДУПРЕЖДЕНИЕ: Указывает на потенциально опасную ситуацию, которая, в случае несоблюдения соответствующих мер безопасности **может** стать причиной травм **средней или легкой степени тяжести**.

ПОЯСНЕНИЕ: Указывает на практики, использование которых не связано с получением травмы, но если ими пренебречь, могут привести к **порче имущества**.



Указывает на риск поражения электрическим током.



Указывает на риск возгорания.

ОБЩИЕ ПРАВИЛА ТЕХНИКИ БЕЗОПАСНОСТИ ПРИ ИСПОЛЬЗОВАНИИ ЭЛЕКТРОИНСТРУМЕНТОВ



ВНИМАНИЕ: Прочитайте и просмотрите все предупреждения, инструкции, иллюстрации и спецификации по данному электроинструменту. Несоблюдение всех приведенных ниже инструкций может стать причиной поражения электрическим током, возгорания и/или тяжелой травмы.

СОХРАНИТЕ ВСЕ ИНСТРУКЦИИ ДЛЯ ПОСЛЕДУЮЩЕГО ИСПОЛЬЗОВАНИЯ.

Термин «электроинструмент» в предупреждениях относится к работающим от сети (проводным) электроинструментам или работающим от аккумуляторной батареи (беспроводным) электроинструментам.

1) Безопасность на рабочем месте

- Следите за чистотой и хорошим освещением на рабочем месте.** Захламленное или плохо освещенное рабочее место может стать причиной несчастного случая.
- Запрещается работать с электроинструментами во взрывоопасных местах, например, вблизи легковоспламеняющихся жидкостей, газов и пыли.** Искры, которые появляются при работе электроинструментов могут привести к воспламенению пыли или паров.
- Следите за тем, чтобы во время работы с электроинструментом в зоне работы не было посторонних и детей.** Отвлекаясь от работы вы можете потерять контроль над инструментом.

2) Электробезопасность

- Штепсельная вилка электроинструмента должна соответствовать розетке. Никогда не меняйте вилку инструмента. Запрещается использовать переходники к вилкам для электроинструментов с заземлением.** Использование оригинальных штепсельных вилок, соответствующих типу сетевой розетки снижает риск поражения электрическим током.
- Избегайте контакта с заземленными поверхностями, такими как трубы, радиаторы и холодильники.** Если вы будете заземлены, увеличивается риск поражения электрическим током.
- Запрещается оставлять электроинструмент под дождем и в местах повышенной влажности.** При попадании воды в электроинструмент риск поражения электротоком возрастает.
- Берегите кабель от повреждений. Никогда не используйте кабель для переноски инструмента, не тяните за него, пытаясь отключить инструмент от сети. Держите кабель подальше от источников тепла, масла,**

острых углов или движущихся предметов.
Поврежденный или запутанный кабель питания повышает риск поражения электрическим током.

- e) **При работе с электроинструментом на открытом воздухе используйте удлинитель, подходящий для использования на улице.**
Использование кабеля питания, предназначенного для использования вне помещения, снижает риск поражения электрическим током.
- f) **Если использование электроинструмента в условиях повышенной влажности неизбежно, используйте устройства защитного отключения (УЗО) для защиты сети.**
Использование УЗО сокращает риск поражения электрическим током.

3) Обеспечение индивидуальной безопасности

- a) **Будьте внимательны, смотрите, что делаете и не забывайте о здравом смысле при работе с электроинструментом. Запрещается работать с электроинструментом в состоянии усталости, наркотического, алкогольного опьянения или под воздействием лекарственных препаратов.** Невнимательность при работе с электроинструментом может привести к серьезным телесным повреждениям.
- b) **Используйте индивидуальные средства защиты. Всегда используйте защитные очки.** Средства защиты, такие как пылезащитная маска, обувь с нескользящей подошвой, каска и защитные наушники, используемые при работе, уменьшают риск получения травм.
- c) **Примите меры для предотвращения случайного включения. Перед тем как подключить электроинструмент к сети и/или аккумуляторной батарее, возьмите инструмент или перенести его на другое место, убедитесь в том, что выключатель находится в положении «Выкл.».** Если при переноске электроинструмента он подключен к сети, и при этом ваш палец находится на выключателе, это может стать причиной несчастных случаев.
- d) **Уберите все регулировочные или гаечные ключи перед включением электроинструмента.** Ключ, оставленный на вращающейся части электроинструмента, может привести к травме.
- e) **Не пытайтесь дотянуться до слишком удаленных поверхностей. Обувь должна быть удобной, чтобы вы всегда могли сохранять равновесие.** Это позволит лучше контролировать электроинструмент в непредвиденных ситуациях.
- f) **Одевайтесь соответствующим образом. Избегайте носить свободную одежду и ювелирные украшения. Следите за тем, чтобы волосы и одежда не попадали под движущиеся детали.** Возможно наматывание свободной одежды, ювелирных изделий и длинных волос на движущиеся детали.

- g) **При наличии устройств для подключения оборудования для удаления и сбора пыли необходимо обеспечить правильность их подключения и эксплуатации.** Использование устройства для пылеудаления сокращает риски, связанные с пылью.
- h) **Не позволяйте хорошему знанию от частого использования инструментов стать причиной самонадеянности и игнорирования правил техники безопасности.** Небрежное действие может повлечь серьезные травмы за долю секунды.

4) Эксплуатация электроинструмента и уход за ним

- a) **Избегайте чрезмерной нагрузки электроинструмента. Используйте электроинструмент в соответствии с назначением.** Правильно подобранный электроинструмент выполнит работу более эффективно и безопасно при стандартной нагрузке.
- b) **Не пользуйтесь инструментом, если не работает выключатель.** Любой инструмент, управляемый выключением и включением которого невозможно, опасен, и его необходимо отремонтировать.
- c) **Перед выполнением любых настроек, сменой аксессуаров или прежде чем убрать инструмент на хранение, отключите его от сети и/или снимите с него аккумуляторную батарею, если ее можно снять.** Такие превентивные меры безопасности сокращают риск случайного включения электроинструмента.
- d) **Храните электроинструмент в недоступном для детей месте и не позволяйте работать с инструментом людям, не имеющим соответствующих навыков работы с такого рода инструментами.** Электроинструмент представляет опасность в руках неопытных пользователей.
- e) **Поддерживайте электроинструмент и принадлежности в исправном состоянии. Проверьте, не нарушена ли центровка или не заклинены ли движущиеся детали, нет ли повреждений или иных неисправностей, которые могли бы повлиять на работу электроинструмента. В случае обнаружения повреждений, прежде чем приступить к эксплуатации электроинструмента, его нужно отремонтировать.** Большинство несчастных случаев происходит из-за электроинструментов, которые не обслуживаются должным образом.
- f) **Содержите режущий инструмент в остро заточенном и чистом состоянии.** Вероятность заклинивания инструмента, за которым следят должным образом и который хорошо заточен, значительно меньше, а работать с ним легче.

- g) **Используйте электроинструменты, принадлежности и насадки в соответствии с данными инструкциями, принимая во внимание условия работы и характер выполняемой работы.** Использование электроинструмента для выполнения операций, для которых он не предназначен, может привести к созданию опасных ситуаций.
- h) **Все рукоятки и поверхности захватывания должны быть сухими и без следов смазки.** Скользкие рукоятки и поверхности захватывания не позволяют обеспечить безопасность работы и управления инструментом в непредвиденных ситуациях.

5) Использование аккумуляторных электроинструментов и уход за ними

- a) **Используйте для зарядки аккумуляторной батареи только указанное производителем зарядное устройство.** Использование зарядного устройства определенного типа для зарядки других батарей может привести к возгоранию.
- b) **Используйте для электроинструмента только батареи указанного типа.** Использование других аккумуляторных батарей может стать причиной травм и пожара.
- c) **Оберегайте батарею от попадания в нее скрепок, монет, ключей, гвоздей, болтов или других мелких металлических предметов, которые могут вызывать замыкание контактов.** Короткое замыкание контактов аккумуляторной батареи может привести к пожару или получению ожогов.
- d) **При повреждении батареи, из нее может вытечь электролит. Не прикасайтесь к нему. При случайном контакте с электролитом смойте его водой. При попадании электролита в глаза обратитесь за медицинской помощью.** Жидкость, находящаяся внутри батареи, может вызвать раздражение или ожоги.
- e) **Не используйте поврежденные или измененные аккумуляторные батареи или инструменты.** Поврежденные или измененные аккумуляторные батареи могут работать непредсказуемо, что может привести к возгоранию, взрыву или риску получения травм.
- f) **Не подвергайте аккумуляторные батареи или инструмент воздействию огня или повышенной температуры.** Открытый огонь или воздействие высокой температуры выше 130 °C может привести к взрыву.
- g) **Следуйте всем инструкциям по зарядке и не заряжайте аккумуляторную батарею или инструмент вне температурного диапазона, указанного в инструкции.** Неправильная зарядка или зарядка вне указанного температурного диапазона может привести к повреждению батареи и увеличить риск возгорания.

6) Обслуживание

- a) **Обслуживание электроинструмента должен проводить квалифицированный специалист с использованием только оригинальных запасных частей.** Это позволит обеспечить безопасность обслуживаемого электрифицированного инструмента.
- b) **Не выполняйте обслуживание поврежденных аккумуляторных батарей.** Обслуживание аккумуляторных батарей должно выполняться только производителем или авторизованными поставщиками услуг.

Дополнительные специальные правила техники безопасности для отрезных машин

- a) **Поставляемый вместе с инструментом защитный кожух должен быть надежно закреплен на электроинструменте и находиться в положении, обеспечивающем максимальную защиту, чтобы минимально возможная часть диска находилась в одной плоскости с оператором. Стойте сами и следите, чтобы посторонние лица находились в стороне от плоскости вращающегося диска.** Защитный кожух защищает оператора от отколотых фрагментов диска и случайного прикосновения к диску.
- b) **Используйте только алмазные диски, предназначенные для использования с вашим электроинструментом.** Возможность установки любой принадлежности на ваш электроинструмент не обеспечивает безопасность при его использовании.
- c) **Номинальная скорость принадлежности должна, как минимум, равняться максимальной скорости, указанной на электроинструменте.** Насадки, вращающиеся на скорости, превышающей их номинальную скорость, могут разрушиться и сорваться с крепления.
- d) **Диски должны использоваться только в соответствии с их назначением. Например, не выполняйте шлифование боковой стороной отрезного диска.** Абразивные отрезные диски предназначены для шлифования периферией диска, поэтому боковая нагрузка, применимая к данному типу дисков, может стать причиной их разрушения.
- e) **Всегда используйте неповрежденные дисковые фланцы, диаметр которых полностью соответствует выбранному вами типу дисков.** Правильно подобранные дисковые фланцы поддерживают диск, снижая вероятность его разрушения.
- f) **Внешний диаметр и толщина принадлежности должны соответствовать диапазону**

мощности вашего электроинструмента.

Насадка неправильного размера не закрывается должным образом защитным кожухом и не обеспечивает контроля при управлении инструментом.

- g) **Посадочные отверстия дисков и фланцев должны полностью соответствовать типоразмеру шпинделя электроинструмента.**

Диски и фланцы с ромбовидными посадочными отверстиями, которые не подходят к монтажной арматуре электроинструмента, работающую несбалансированно, слишком сильно вибрируют и могут привести к потере контроля управления.

- h) **Не используйте поврежденные диски. Перед каждым использованием проверяйте диски на наличие трещин и сколов. В случае падения электроинструмента или диска проверьте их на наличие повреждений или установите неповрежденный диск. После проверки и установки диска встаньте сами и расположите посторонних лиц в стороне от плоскости вращающегося диска и запустите электроинструмент на максимальной скорости без нагрузки в течение одной минуты.** Поврежденные диски отлетят в сторону в течение данного тестового периода.

- i) **Используйте средства индивидуальной защиты. В зависимости от типа выполняемых работ используйте защитный щиток для лица, защитную маску или защитные очки. В соответствии с необходимостью надевайте респиратор, защитные наушники, перчатки и рабочий фартук, способный защитить от отлетающих мелких абразивных частиц или фрагментов обрабатываемой детали.** Средства защиты глаз должны быть способны останавливать частицы, вылетающие при выполнении различных видов работ. Противовылевающая маска или респиратор должны обеспечивать фильтрацию твердых частиц, образующихся в ходе работ. Длительное воздействие шума высокой интенсивности может привести к потере слуха.

- j) **Не подпускайте посторонних лиц близко к рабочей зоне. Любое лицо, входящее в рабочую зону, должно использовать средства индивидуальной защиты.** Фрагменты заготовки или разрушенного диска могут отлететь в сторону и стать причиной травмы даже за пределами рабочей зоны.

- k) **Держите электроинструмент только за изолированные рукоятки при выполнении операций, во время которых режущая насадка может соприкоснуться со скрытой проводкой.** При контакте насадки с находящимся под напряжением проводом на неизолированных металлических частях электроинструмента

также появляется напряжение, что может привести к поражению электрическим током.

- l) **Никогда не кладите электроинструмент, пока насадка полностью не остановится.** Вращающийся диск может задеть за поверхность, из-за чего электроинструмент может вырваться из рук.
- m) **Не включайте электроинструмент, если насадка направлена на вас.** Случайный контакт с вращающейся насадкой может привести к захватыванию насадкой вашей одежды и получению телесной травмы.
- n) **Регулярно прочищайте вентиляционные прорези вашего электроинструмента.** Вентилятор электродвигателя затягивает пыль внутрь корпуса, а скопление большого количества пыли на металлических частях электродвигателя повышает риск поражения электротоком.
- o) **Не используйте электроинструмент вблизи горючих материалов.** Искровые разряды могут привести к их воспламенению.

Обратный удар и меры по его предотвращению

Обратный удар является внезапной реакцией на защемление или застревание вращающегося диска. Защемление или застревание могут стать причиной мгновенной остановки вращающегося диска, что в свою очередь приводит к потере контроля над электроинструментом и его внезапному отбрасыванию назад в направлении, противоположном вращению диска. Например, если абразивный диск был защемлен или застрял в заготовке, край диска в момент защемления может врезаться в поверхность заготовки, в результате чего диск поднимается или отскакивает назад. В зависимости от направления движения диска во время защемления, диск может резко подняться в сторону или от оператора. Абразивные диски в этот момент могут также сломаться.

Обратный удар является результатом использования электроинструмента не по назначению и/или неправильных действий оператора и условий работы, и его можно избежать, соблюдая следующие меры безопасности.

- a) **Крепко удерживайте электроинструмент и следите за положением тела и рук, чтобы эффективно противостоять воздействию обратного удара. Для максимального контроля силы обратного удара или реакции от крутящего момента всегда используйте вспомогательную рукоятку, если она предусмотрена.** При соблюдении соответствующих мер предосторожности оператор может контролировать силу обратного удара и реакцию от крутящего момента.

- b) **Никуда не держите руки вблизи от вращающейся насадки.** Принадлежность может отскочить в направлении вашей руки.
- c) **Не стойте на одной линии с вращающимся диском.** В момент заклинивания сила обратного удара отбросит инструмент в направлении, противоположном вращению диска.
- d) **Соблюдайте особую осторожность при обработке углов, острых кромок и пр. Избегайте дрожания и заклинивания насадки.** Углы, острые кромки или дрожание могут вызвать заклинивание вращающейся насадки и привести к потере управления в случае возникновения обратного удара.
- e) **Не устанавливайте на инструмент цепь для цепной пилы, диск для резьбы по дереву, сегментированный алмазный диск с промежутками между сегментами более чем 10 мм или зубчатый пильный диск.** Такие насадки часто вызывают обратный удар и потерю контроля над инструментом.
- f) **Избегайте заклинивания диска в заготовке и не оказывайте на него чрезмерного давления. Не пытайтесь выполнить слишком глубокий разрез.** Чрезмерное напряжение диска увеличивает нагрузку на диск, результатом которой может стать деформация или заедание в момент резания, возможность возникновения обратного удара, а также поломка диска.
- g) В случае заклинивания диска или при прерывании процесса резки по какой-либо причине **выключите инструмент и удерживайте его неподвижно в пропиле до полной остановки диска. Ни в коем случае не пытайтесь вытащить диск из заготовки, пока он еще вращается, так как это может вызвать обратный удар.** Выясните причину заклинивания диска и примите меры по ее устранению.
- h) **Не возобновляйте прерванную операцию с режущей насадкой в заготовке. Позвольте диску достичь максимальной скорости и аккуратно введите его в разрез.** В противном случае, при повторном включении электроинструмента диск может сломаться, подняться или выскользнуть обратно из заготовки.
- i) **Для сведения к минимуму риска защемления диска и обратного удара размещайте панели или заготовки больших размеров на опорах.** Большие заготовки имеют тенденцию прогибаться под тяжестью собственного веса. Устанавливайте опоры под заготовкой по обе стороны от диска, около линии реза и краев заготовки.
- j) **Будьте особенно внимательны при сквозном врезании в стены и другие сплошные поверхности.** Выступающий диск может врезаться в газовую или водопроводную трубу,

электропроводку или объекты, вызывающие обратный удар.

Дополнительные инструкции по безопасности

- **Не рекомендуется использование принадлежностей и насадок, не указанных в данном руководстве по эксплуатации; это может привести к опасной ситуации.** Использование гидроусилителей в целях увеличения номинальной скорости инструмента является нарушением в эксплуатации инструмента.
- **Не используйте с данным инструментом диски для дисковых пил.** Это может привести к серьезной травме.
- **Избегайте резкого отскока отрезного диска и грубого обращения с диском во время работы.** Если это произошло, остановите инструмент и проверьте диск на наличие сколов и трещин.
- **Направляйте искры в сторону от оператора, посторонних лиц или воспламеняемых материалов.** Искры могут возникать при использовании шлифовальных машин или штробореза. Искры могут стать причиной ожога или возгорания.
- **Всегда используйте переднюю рукоятку.** Для постоянного контроля над инструментом всегда должна использоваться передняя рукоятка.
- **Никогда не производите резку в местах, где возможно нахождение скрытой проводки или трубопровода.** Это может привести к серьезной травме.
- **Регулярно чистите ваш инструмент, особенно после интенсивного использования.** На внутренних поверхностях часто собирается содержащая металлические частицы пыль, повышая риск поражения электрическим током.
- **Не используйте данный инструмент в течение длительных промежутков времени. Вибрация, вызываемая инструментом, может оказывать вредное воздействие на руки.** Используйте перчатки для лучшей антивибрационной защиты и ограничьте воздействие вибрации, устраивая частые перерывы в работе.
- **При работе возможно возникновение пыли, кристаллических материалов, паров и дыма.** Всегда надевайте пылезащитную маску или респиратор. Опасность для здоровья!
- **Никогда не устанавливайте более двух алмазных дисков.**
- **Используйте только алмазные отрезные диски.** Сегментированные алмазные диски могут иметь только отрицательные углы резки и промежутки между сегментами максимум 10 мм.

Остаточные риски

Несмотря на соблюдение соответствующих инструкций по технике безопасности и использование предохранительных устройств, некоторые остаточные риски невозможно полностью исключить. А именно:

- *ухудшение слуха;*
- *риск травм от разлетающихся частиц;*
- *риск получения ожогов в результате нагревания инструмента в процессе работы;*
- *риск получения травмы в результате продолжительной работы.*

СОХРАНИТЕ НАСТОЯЩЕЕ РУКОВОДСТВО

Зарядные устройства

Зарядные устройства DeWALT не требуют регулировки и максимально просты в использовании.

Электробезопасность

Электродвигатель рассчитан на работу только при одном напряжении сети. Необходимо обязательно убедиться в том, что напряжение источника питания соответствует указанному на шильдике устройства. Необходимо также убедиться в том, что напряжение работы зарядного устройства соответствует напряжению в сети.



Зарядное устройство DeWALT оснащено двойной изоляцией в соответствии с требованиями EN60335; поэтому провод заземления не требуется.

В случае повреждения кабеля питания его необходимо заменить специально подготовленным кабелем, который можно приобрести в сервисных центрах DeWALT.

Использование удлинительного кабеля

Используйте удлинитель только в случаях крайней необходимости. Используйте только утвержденные удлинители промышленного изготовления, рассчитанные на мощность не меньшую, чем потребляемая мощность зарядного устройства (см. *Технические характеристики*). Минимальное поперечное сечение провода электрического кабеля должно составлять 1 мм²; максимальная длина 30 м. При использовании кабельного барабана всегда полностью разматывайте кабель.

Важные инструкции по технике безопасности для всех зарядных устройств

СОХРАНИТЕ НАСТОЯЩЕЕ РУКОВОДСТВО. В данном руководстве содержатся важные инструкции по технике безопасности для совместимых зарядных устройств (см. *Технические характеристики*).

- *Перед тем как использовать зарядное устройство, внимательно изучите все инструкции и предупреждающие этикетки на зарядном устройстве, батарее и инструменте, для которого используется батарея.*



ВНИМАНИЕ: Опасность поражения электрическим током. Не допускайте попадания жидкости

в зарядное устройство. Это может привести к поражению электрическим током.



ВНИМАНИЕ: Рекомендуется использовать устройство защитного отключения (УЗО) с током утечки до 30 мА.



ВНИМАНИЕ: Опасность ожога. Во избежание травм, следуйте использовать только аккумуляторные батареи производства DeWALT. Использование батарей другого типа может привести к взрыву, травмам и повреждениям.



ПРЕДУПРЕЖДЕНИЕ: Не позволяйте детям играть с данным устройством.

ПОЯСНЕНИЕ: В определенных условиях, при подключении зарядного устройства к источнику питания, может произойти короткое замыкание контактов внутри зарядного устройства посторонними материалами. Не допускайте попадания в полости зарядного устройства таких токопроводящих материалов, как стальная стружка, алюминиевая фольга или другие металлические частицы и т. п. Всегда отключайте зарядное устройство от источника питания, если в нем нет аккумуляторной батареи. Всегда отключайте зарядное устройство от сети перед тем, как приступить к очистке инструмента

- **НЕ ПЫТАЙТЕСЬ заряжать батареи с помощью каких-либо других зарядных устройств, кроме тех, которые указаны в данном руководстве.** Зарядное устройство и батарея предназначены для совместного использования.
- **Эти зарядные устройства не предназначены ни для какого другого использования, помимо зарядки аккумуляторных батарей DeWALT.** Использование любых других батарей может привести к возгоранию, поражению электротоком или гибели от электрического шока.
- **Не подвергайте зарядное устройство воздействию снега или дождя.**
- **При отключении зарядного устройства от сети всегда тяните за штепсельную вилку, а не за кабель.** Это поможет избежать повреждения штепсельной вилки и розетки.
- **Убедитесь в том, что кабель расположен таким образом, чтобы на него не наступили, не споткнулись об него, а также в том, что он не натянут и не может быть поврежден.**
- **Не используйте удлинительный кабель без крайней необходимости.** Использование удлинительного кабеля неподходящего типа может привести к пожару или поражению электрическим током.
- **Не ставьте на зарядное устройство никакие предметы и не устанавливайте зарядное устройство на мягкую поверхность, которая может закрыть вентиляционные отверстия и привести к перегреву.** Не размещайте зарядное устройство поблизости от источников тепла.

Вентиляция зарядного устройства происходит с помощью отверстий в верхней и нижней части корпуса.

- **Не используйте зарядное устройство при наличии поврежденного кабеля или штепсельной вилки – в этом случае необходимо немедленно их заменить.**
- **Не используйте зарядное устройство, если его роняли, либо если оно подвергалось сильному ударам или было повреждено каким-либо иным образом.** Обратитесь в авторизованный сервисный центр.
- **Не разбирайте зарядное устройство. При необходимости обратитесь в специализированный сервисный центр, если нужно провести обслуживание или ремонт инструмента.** Неправильная сборка может стать причиной пожара или поражения электрическим током.
- **В случае повреждения кабеля питания его необходимо немедленно заменить у производителя, в его сервисном центре или с привлечением другого специалиста аналогичной квалификации для предотвращения несчастного случая.**
- **Перед очисткой отключите зарядное устройство от сети. В противном случае, это может привести к поражению электрическим током.** Извлечение аккумуляторной батареи не приведет к снижению степени этого риска.
- **НИКОГДА не подключайте два зарядных устройства вместе.**
- **Зарядное устройство предназначено для работы при стандартном напряжении сети в 230 В. Не пытайтесь использовать его при каком-либо ином напряжении.** Это не относится к автомобильному зарядному устройству.

Зарядка батареи (Рис. [Fig.] B)

1. Перед установкой батареи подключите зарядное устройство к соответствующей сетевой розетке.
2. Вставьте аккумуляторную батарею  в зарядное устройство, убедившись в том, что она хорошо установлена. Красный индикатор зарядки начнет мигать. Это означает, что процесс зарядки начался.
3. По окончании зарядки красный индикатор будет гореть непрерывно, не мигая. Теперь батарея полностью заряжена, и ее можно использовать или оставить в зарядном устройстве. Чтобы извлечь аккумуляторную батарею из зарядного устройства, нажмите кнопку фиксатора батареи  и извлеките батарею.

ПРИМЕЧАНИЕ: Чтобы обеспечить максимальную производительность и срок службы ионно-литиевых батарей, перед первым использованием полностью зарядите аккумуляторную батарею.

Работа с зарядным устройством

См. состояние зарядки аккумуляторной батареи на приведенных ниже индикаторах.

Индикаторы зарядки

	Зарядка		
	Полностью заряжен		
	Температурная задержка*		

*В это время красный индикатор продолжит мигать, а когда начнется зарядка, загорится желтый. После того, как батарея достигнет рабочей температуры, желтый индикатор погаснет, и зарядка продолжится.

Зарядное(-ые) устройство(-а) не может(-гут) полностью зарядить неисправную аккумуляторную батарею. При неисправной аккумуляторной батарее, индикатор на зарядном устройстве не загорится.

ПРИМЕЧАНИЕ: Также это может указывать на проблему с зарядным устройством.

Если зарядное устройство указывает на наличие проблемы, проверьте аккумулятор и зарядное устройство в специализированном сервисном центре.

Температурная задержка

Если температура батареи слишком низкая или слишком высокая, зарядное устройство автоматически переходит в режим температурной задержки; при этом зарядка не начинается до тех пор, пока батарея не достигнет нужной температуры. После того, как нужный уровень температуры будет достигнут, устройство перейдет в режим зарядки. Данная функция обеспечивает максимальный срок эксплуатации батареи.

Зарядка холодной батареи занимает больше времени, чем теплой. Аккумуляторная батарея заряжается медленнее во время цикла зарядки и максимального заряда не удастся добиться даже после того, как аккумуляторная батарея будет теплой.

Система электронной защиты

Ионно-литиевые аккумуляторные батареи XR оснащены системой электронной защиты, которая защищает аккумуляторную батарею от перегрузки, перегрева или глубокой разрядки.

При срабатывании системы электронной защиты инструмент автоматически отключается. В этом случае поставьте ионно-литиевую батарею на зарядку до тех пор, пока она полностью не зарядится.

Крепление на стену

Данные зарядные устройства могут крепиться на стены или устанавливаться на стол или рабочую поверхность. При креплении на стену расположите зарядное устройство в пределах досягаемости розетки и подальше от углов и других препятствий, которые могут помешать потоку воздуха. Используйте заднюю часть зарядного устройства в качестве образца для положения монтажных болтов на стене. Надежно закрепите зарядное устройство при помощи саморезов (приобретаются отдельно) длиной минимум в 25,4 мм с диаметром шляпки самореза в 7–9 мм, вкрученных в дерево до оптимальной глубины, оставляющей

на поверхности примерно 5,5 мм самореза. Совместите отверстия на задней стороне зарядного устройства с выступающими саморезами и полностью вставьте их в отверстия.

Инструкции по очистке зарядного устройства



ВНИМАНИЕ: Опасность поражения электрическим током. Перед чисткой отключите зарядное устройство от сети питания. Грязь и жир можно удалить с наружной поверхности зарядного устройства с помощью тряпки или мягкой неметаллической щетки. Не используйте воду или чистящие растворы. Не допускайте попадания жидкости внутрь инструмента; никогда не погружайте никакие из деталей инструмента в жидкость.

Аккумуляторные батареи

Важные инструкции по технике безопасности для всех батарей

При заказе запасных батарей не забудьте указать номер по каталогу и напряжение.

При покупке батарея заряжена не полностью. Перед тем, как использовать батарею и зарядное устройство, прочтите следующие инструкции по технике безопасности. Затем выполните необходимые действия для зарядки.

ВНИМАТЕЛЬНО ПРОЧИТЕ ВСЕ ИНСТРУКЦИИ

- Не заряжайте и не используйте батарею во взрывоопасной атмосфере, например, при наличии горючих жидкостей, газов или пыли. Установка или удаление батареи из зарядного устройства может привести к воспламенению пыли или газов.
- Никогда не прилагайте больших усилий, вставляя батарею в зарядное устройство. Не вносите изменения в конструкцию батарей с целью установить их в зарядное устройство, к которому они не подходят. Это может привести к серьезным травмам.
- Заряжайте батареи только с помощью зарядных устройств DEWALT.
- НЕ ПРОЛИВАЙТЕ на них и не погружайте их в воду или другие жидкости.
- Не храните и не используйте данное устройство и батарею при температуре выше 40 °C (например, на внешних пристройках или на металлических поверхностях зданий в летнее время).
- Не сжигайте батареи, даже поврежденные или полностью отработавшие. При попадании в огонь батареи могут взорваться. При сжигании ионно-литиевых батарей образуются токсичные вещества и газы.
- При попадании содержимого батареи на кожу, немедленно промойте это место водой с мылом. При попадании содержимого батареи в глаза, необходимо промыть открытые глаза проточной

водой в течение 15 минут или до тех пор, пока не пройдет раздражение. При необходимости обращения к врачу, может пригодиться следующая информация: электролит представляет собой смесь жидких органических углекислых и литиевых солей.

- При вскрытии батареи, ее содержимое может вызвать раздражение дыхательных путей. Обеспечьте наличие свежего воздуха. Если симптомы сохраняются, обратитесь к врачу.



ВНИМАНИЕ: Опасность ожога. Содержимое батареи может воспалиться при попадании искр или огня.



ВНИМАНИЕ: Ни в коем случае не разбирайте батарею. При наличии трещин или других повреждений батареи, не устанавливайте ее в зарядное устройство. Не роняйте батарею и не подвергайте ее ударам или другим повреждениям. Не используйте батарею или зарядное устройство после удара, падения или получения каких-либо других повреждений (например, после того, как ее проткнули гвоздем, ударили молотком или наступили на нее). Это может привести к удару или поражению электрическим током. Поврежденные батареи необходимо вернуть в сервисный центр для повторной переработки.



ВНИМАНИЕ: Риск воспламенения. Избегайте замыкания выводов батарей металлическими предметами во время хранения или переноски. Например, не кладите аккумуляторные батареи в передники, карманы, ящики для инструментов, выдвижные ящики и т. п. с гвоздями, гайками, ключами и т. п.



ПРЕДУПРЕЖДЕНИЕ: Когда устройство не используется, кладите его на бок на устойчивую поверхность в таком месте, где оно не может упасть и об него нельзя споткнуться. Некоторые устройства с батареями большого размера, стоят сверху на батарее, и могут легко упасть.

Транспортировка



ВНИМАНИЕ: Риск воспламенения. При транспортировке аккумуляторных батарей может произойти возгорание, если терминалы аккумуляторных батарей случайно будут замкнуты электропроводящими материалами. При транспортировке аккумуляторных батарей убедитесь в том, что терминалы защищены и хорошо изолированы от материалов, контакт с которыми может привести к короткому замыканию.

ПРИМЕЧАНИЕ: Ионно-литиевые аккумуляторные батареи запрещается сдавать в багаж.

Батареи DEWALT соответствуют всем применимым правилам транспортировки, как предусмотрено промышленными и юридическими стандартами, включая рекомендации ООН по транспортировке опасных грузов; Ассоциация

международных авиаперевозчиков (IATA) правила перевозки опасных грузов, Международные правила перевозки опасных грузов морским путем (IMDG), и европейское соглашение о международной дорожной перевозке опасных грузов (ADR). Ионно-литиевые элементы и аккумуляторные батареи были протестированы в соответствии с разделом 38.3 Рекомендаций ООН по транспортировке опасных грузов руководства по тестам и критериям.

В большинстве случаев транспортировка аккумуляторных батарей DEWALT не попадает под классификацию, поскольку они не являются опасными материалами Класса 9. В целом, полностью под правила Класса 9 подпадают только перевозки ионно-литиевых батарей с энергоемкостью выше 100 Ватт час (Вт ч). Энергоемкость всех ионно-литиевых аккумуляторных батарей в Ватт-часах указана на упаковке. Кроме того, из-за сложности правил, DEWALT не рекомендует перевозку ионно-литиевых батарей по воздуху вне зависимости от их энергоемкости. Поставки инструментов с батареями (комбинированные наборы) могут перевозиться по воздуху согласно исключениям, если энергоемкость батареи не превышает 100 Вт ч.

Независимо от того, является ли перевозка исключением или выполняется по правилам, перевозчик должен уточнить последние требования к упаковке, маркировке и оформлению документации.

Информация, изложенная в данном руководстве обоснована и на момент создания данного документа может считаться точной. Но эта гарантия не является ни выраженной, ни подразумеваемой. Покупатель должен обеспечить то, что бы его деятельность соответствовала всем применимым законам.

Рекомендации по хранению

1. Лучшим местом для хранения является прохладное и сухое место, защищенное от прямых солнечных лучей, высокой или низкой температуры. Для оптимальной работы и продолжительного срока службы, храните неиспользуемые аккумуляторные батареи при комнатной температуре.
2. Для достижения максимальных результатов при продолжительном хранении рекомендуется полностью зарядить батарейный комплект и хранить его в прохладном сухом месте вне зарядного устройства.

ПРИМЕЧАНИЕ: Аккумуляторные батареи не должны храниться в полностью разряженном состоянии. Перед использованием аккумуляторная батарея требует повторной зарядки.

Маркировка на зарядном устройстве и аккумуляторной батарее

Помимо пиктограмм, используемых в данном руководстве, на зарядном устройстве и батарее имеются следующие обозначения:



Перед началом работы прочтите руководство по эксплуатации.



Чтобы узнать время зарядки, см. **Технические характеристики**.



Не касайтесь токопроводящими предметами контактов батареи и зарядного устройства.



Не пытайтесь заряжать поврежденную батарею.



Не подвергайте электроинструмент или его элементы воздействию влаги.



Немедленно заменяйте поврежденный кабель питания.



Зарядку осуществляйте только при температуре от 4 °C до 40 °C.



Для использования внутри помещений.



Утилизируйте отработанные батареи безопасным для окружающей среды способом.



Заряжайте аккумуляторные батареи DEWALT только с помощью соответствующих зарядных устройств DEWALT. Зарядка иных аккумуляторных батарей, кроме DEWALT на зарядных устройствах DEWALT может привести к возгоранию аккумуляторных батарей и возникновению других опасных ситуаций.



Не сжигайте аккумуляторную батарею.

Тип батареи

DCG200 работает от аккумуляторной батареи напряжением 54 В.

Могут применяться следующие типы батарей: DCB546, DCB547, DCB548. Подробную информацию см. в **Технических характеристиках**.

Комплектация поставки

В комплектацию входит:

- 1 Штроборез
- 2 Алмазных диска
- 1 Долото
- 1 Проставочный фланец без резьбы
- 1 Резьбовой зажимной фланец
- 1 Распорная втулка 3 мм
- 1 Распорная втулка 6 мм
- 1 Распорная втулка 9 мм
- 1 Распорная втулка 12 мм

- 1 Шестигранный ключ
- 1 Зарядное устройство
- 1 Ионно-литиевая аккумуляторная батарея (модели C1, D1, L1, M1, P1, S1, T1, X1, Y1)
- 2 Ионно-литиевые аккумуляторные батареи (модели C2, D2, L2, M2, P2, S2, T2, X2, Y2)
- 3 Ионно-литиевые аккумуляторные батареи (модели C3, D3, L3, M3, P3, S3, T3, X3, Y3)
- 1 Руководство по эксплуатации

ПРИМЕЧАНИЕ: Аккумуляторные батареи, зарядные устройства и инструментальные ящики не входят в комплект поставки для моделей N. Аккумуляторные батареи и зарядные устройства не входят в комплект поставки для моделей NT. Модели В включают в себя аккумуляторные батареи Bluetooth®.

ПРИМЕЧАНИЕ: Словесный товарный знак и логотип Bluetooth® являются зарегистрированными товарными знаками Bluetooth®, SIG, Inc. любое использование этих знаков DEWALT осуществляется на основании лицензии. Другие торговые марки и названия принадлежат их владельцам.

- Проверьте на наличие повреждений инструмента, его деталей или дополнительных принадлежностей, которые могли возникнуть во время транспортировки.
- Перед эксплуатацией внимательно прочтите данное руководство.

Место положения кода даты (Рис. А)

Код даты **18**, который также включает в себя год изготовления, отштампован на поверхности корпуса инструмента.

Пример:

2019 XX XX
Год изготовления

Маркировка на инструменте

На инструмент нанесены следующие обозначения:



Перед началом работы прочтите руководство по эксплуатации.



Используйте защитные наушники.



Используйте защитные очки.



Видимое излучение. Не направляйте луч в глаза.

Описание (Рис. А, С)



ОСТОРОЖНО: Никогда не вносите изменения в конструкцию электроинструмента или какой-либо его части. Это может привести к повреждению или травме.

- 1 Курковый пусковой выключатель с регулировкой скорости
- 2 Рычаг блокировки пускового выключателя
- 3 Кнопка блокировки шпинделя
- 4 Патрубок пылеотвода
- 5 Основная рукоятка
- 6 Дополнительная рукоятка
- 7 Проставочный фланец без резьбы
- 8 Резьбовой зажимной фланец
- 9 Аккумуляторная батарея
- 10 Отпирающая кнопка аккумуляторной батареи
- 11 Регулятор глубины сверления
- 12 Защитный кожух
- 13 Зажимной рычаг защитного кожуха
- 14 Отпирающая кнопка Нижнего защитного кожухе
- 15 Колесики
- 16 Монтажные отверстия для крепления этикетки Bluetooth®(Рис. С)
- 17 Распорные втулки

Сфера применения

Ваш штроборез разработан для профессионального нарезания бетона и кирпичной кладки без использования воды.

Не используйте в условиях повышенной влажности или близости от легковоспламеняющихся жидкостей или газов.

Данный штроборез является профессиональным электроинструментом.

Не разрешайте детям прикасаться к инструменту. Использование инструмента неопытными пользователями должно происходить под контролем опытного лица.

- Данный инструмент не предназначен для использования лицами (включая детей) с ограниченными физическими, психическими и умственными возможностями, не имеющими опыта, знаний или навыков работы с ним, если они не находятся под наблюдением лица, ответственного за их безопасность. Никогда не оставляйте детей без присмотра с этим инструментом.

СБОРКА И РЕГУЛИРОВКА



ВНИМАНИЕ: Чтобы снизить риск получения серьезной травмы, необходимо выключить инструмент и отсоединить батарею, прежде чем выполнять какую-либо регулировку либо удалять/устанавливать какие-либо насадки или дополнительные принадлежности.

Случайный запуск может привести к травме.



ВНИМАНИЕ: Используйте только зарядные устройства и аккумуляторные батареи марки DEWALT.

Установка и извлечение аккумуляторной батареи из инструмента (Рис. В)

ПРИМЕЧАНИЕ: Убедитесь, что аккумуляторная батарея **9** полностью заряжена.

Установка батареи в рукоятку инструмента

1. Совместите аккумуляторную батарею **9** с выемкой на внутренней стороне рукоятки (Рис. В).
2. Задвиньте ее в рукоятку так, чтобы аккумуляторная батарея плотно встала на место и убедитесь, что услышали щелчок от вставшего на место замка.

Извлечение батареи из инструмента

1. Нажмите кнопку фиксатора батареи **10** и вытащите батарею из рукоятки.
2. Вставьте батарею в зарядное устройство, как указано в разделе данного руководства, посвященном зарядному устройству.

Датчик уровня заряда аккумуляторной батареи (Рис. В)

В некоторых аккумуляторных батареях DeWALT есть датчик заряда, который включает три зеленых светодиодных индикатора, показывающих уровень оставшегося заряда аккумуляторной батареи.

Для включения датчика заряда, нажмите и удерживайте кнопку датчика заряда **19**. Загорятся три зеленых светодиода, показывая уровень оставшегося заряда. Когда уровень заряда аккумуляторной батареи будет ниже уровня, необходимого для использования, светодиоды перестанут гореть и аккумуляторную батарею следует зарядить.

ПРИМЕЧАНИЕ: Датчик заряда аккумуляторной батареи показывает уровень оставшегося заряда. Он не показывает работоспособность устройства и его показания могут меняться в зависимости от компонентов продукта, температуры и сфер применения.

Установка алмазных дисков (Рис. А, С, D)

⚠ ОСТОРОЖНО: Чтобы снизить риск получения серьезной травмы, необходимо выключить инструмент и отсоединить батарею, прежде чем выполнять какую-либо регулировку либо удалять/устанавливать какие-либо насадки или дополнительные принадлежности.

Случайный запуск может привести к травме.

⚠ ОСТОРОЖНО: Опасность ожога. Острые детали. При смене алмазных дисков ВСЕГДА надевайте перчатки. Алмазные диски имеют острые края или могут очень нагреваться во время работы и могут травмировать незащищенные руки.

⚠ ОПАСНОСТЬ: Никогда не устанавливайте более двух алмазных дисков.

⚠ ОСТОРОЖНО: Все распорные втулки должны быть установлены. Положите инструмент на ровную поверхность шпинделем **20** вверх.

1. Разблокируйте зажимной рычаг защитного кожуха **13** и откройте защитный кожух **12**.
2. Установите проставочный фланец без резьбы **7** на шпиндель **20** выпуклым центром вверх.

3. Убедитесь, что фланец установлен правильно, вращая его, пока он не встанет на место.
4. Установите алмазный диск **21** на проставочный фланец, центрируя алмазный диск на выпуклом центре проставочного фланца.
5. Убедитесь, что стрелки направления на алмазном диске совпадают со стрелками, обозначенными на внутренней стороне защитного кожуха.
6. Для создания желаемой ширины канавки между двумя алмазными дисками, установите необходимые распорные втулки **17** на направленном вверх выпуклом центре.
7. Установите второй алмазный диск на распорную втулку.
8. Установите все оставшиеся распорные втулки.
9. Удерживая нажатой кнопку блокировки шпинделя **3**, установите зажимной фланец **8** шестигранными отверстиями в сторону от алмазного диска и навинтите резьбовой зажимной фланец на шпиндель таким образом, чтобы его проушины вошли в две выемки на шпинделе.
10. Удерживая кнопку блокировки шпинделя нажатой, затяните резьбовой зажимной фланец шестигранным ключом.
11. Надежно затяните зажимной рычаг защитного кожуха.
12. Чтобы снять алмазные диски, нажмите на кнопку блокировки шпинделя и открутите резьбовой зажимной фланец шестигранным ключом.

Подготовка к эксплуатации

- Следите за тем, чтобы внутренний и внешний фланцы были правильно установлены.
- Убедитесь, что алмазные диски вращаются в направлении, указанном стрелками на насадке и на инструменте.
- Не используйте поврежденный алмазный диск. Перед каждым использованием проверяйте алмазные диски на наличие сколов, трещин или чрезмерного износа. В случае падения электроинструмента или алмазного диска проверьте наличие повреждений или установите неповрежденный алмазный диск. После проверки и установки алмазного диска отведите в сторону от себя и посторонних лиц алмазный диск и запустите электроинструмент на максимальной скорости без нагрузки в течение одной минуты.

ЭКСПЛУАТАЦИЯ

Инструкции по использованию

⚠ ВНИМАНИЕ: Всегда следуйте указаниям действующих норм и правил безопасности.

⚠ ВНИМАНИЕ: Чтобы снизить риск получения серьезной травмы, необходимо выключить инструмент и отсоединить батарею, прежде чем выполнять какую-либо регулировку либо удалять/устанавливать какие-либо насадки или дополнительные принадлежности.

Случайный запуск может привести к травме.



ОСТОРОЖНО:

- Прилагайте к инструменту только легкое усилие. Не прилагайте бокового усилия к алмазному диску.
- При работе инструментом всегда надевайте необходимые средства защиты зрения и слуха, а так же защитные перчатки.
- Во время работы корпус редуктора сильно нагревается.
- Всегда устанавливайте защитный кожух и алмазные диски соответствующего типа. Не используйте чрезвычайно изношенные алмазные диски.
- Следите за тем, чтобы внутренний и внешний фланцы были правильно установлены.
- Убедитесь, что алмазный диск вращается в направлении, указанном стрелками направления на принадлежности и на инструменте.
- Избегайте перегрузок. При сильном нагреве инструмента позвольте ему поработать несколько минут вхолостую, чтобы алмазные диски охладились. Не прикасайтесь к алмазным дискам, пока они не остынут. Во время работы алмазные диски сильно нагреваются.
- Запрещается использовать инструмент с отрезным станком.
- Запрещается использовать прокладки вместе с алмазными дисками.
- Необходимо помнить, что алмазные диски продолжают вращаться после выключения инструмента.

Правильное положение рук во время работы (Рис. Е)



ОСТОРОЖНО: Для уменьшения риска получения тяжёлой травмы, всегда правильно удерживайте инструмент, как показано.



ОСТОРОЖНО: Во избежание риска получения серьезных травм, всегда крепко держите инструмент, предупреждая внезапную резкую отдачу.

При правильном расположении рук одна рука находится на основной рукоятке **5**, а другая на дополнительной рукоятке **6**.

Беспроводное управление инструментом (Рис. А)



ВНИМАНИЕ: Прочтите все предупреждения по технике безопасности, инструкции и технические характеристики устройства, сопряженного с штроборезом.

Ваш штроборез оборудован передатчиком беспроводного управления инструментом, с помощью которого штроборез может быть сопряжен с другим устройством беспроводного управления инструментом, например, пылеуловителем.

Для сопряжения вашего штробореза с использованием беспроводного управления инструментом нажмите и удерживайте курковый пусковой выключатель **1** на штроборезе и кнопку сопряжения беспроводного управления инструментом на другом устройстве. Светодиод на другом устройстве поведет, когда ваш штроборез будет полностью сопряжен.

Курковый пусковой выключатель и рычаг блокировки пускового выключателя (Рис. F)

1. Чтобы включить инструмент, нажмите на рычаг блокировки **2** по направлению к задней части инструмента, затем нажмите на курковый пусковой выключатель **1**. Инструмент будет работать, пока нажат выключатель.
2. Чтобы выключить инструмент, отпустите выключатель.



ОСТОРОЖНО: Прочно удерживайте боковую рукоятку и корпус инструмента для обеспечения контроля над инструментом при запуске и при останове, пока алмазные диски не прекратят вращаться. Прежде чем положить инструмент убедитесь, что алмазные диски полностью остановились.



ОСТОРОЖНО: Дождитесь, пока инструмент наберет полные обороты, прежде чем прикасаться им к обрабатываемой поверхности. Прежде чем выключить инструмент поднимите его с обрабатываемой поверхности.

Блокировка шпинделя (Рис. G)

Кнопка блокировки шпинделя **3** используется для предотвращения вращения шпинделя при установке или снятии дисков. Используйте блокировку шпинделя только после выключения инструмента, отключения питания и полной остановки диска.

ПРЕДУПРЕЖДЕНИЕ: Для предотвращения риска повреждения инструмента не используйте блокировку шпинделя при работающем инструменте. Это приведет к повреждению инструмента, а установленные алмазные диски могут слететь и нанести травму.

Для установки блокировки нажмите кнопку блокировки шпинделя **3** и вращайте шпиндель до тех пор, пока он не зафиксируется и вы не сможете его более повернуть.

Пылеудаление (Рис. А, Н)



ОСТОРОЖНО: Риск вдыхания пыли. Во избежание риска получения травм, **ВСЕГДА** надевайте респиратор утвержденного типа.



ОСТОРОЖНО: **ВСЕГДА** используйте пылесос класса M, разработанный в соответствии с действующими директивами по выбросу пыли при резке с выработкой опасной для здоровья пыли.

Патрубок пылеотвода **4** позволяет подключить к инструменту пылесос, используя систему AirLock или

стандартный переходник для пылесоса диаметром 35 мм. Патрубок пылеотвода поворачивается на 180 градусов. Штуцер AirLock **22** подключается напрямую к DeWALT совместимым инструментам и пылесосам.

1. Убедитесь, что муфта штуцера AirLock находится в положении разблокировки. (См. Рисунок H). Совместите метки **23** на муфте и штуцере AirLock как показано для положений блокировки и разблокировки.
2. Вставьте штуцер AirLock в патрубок пылеотвода.
3. Поверните муфту в положение блокировки.
ПРИМЕЧАНИЕ: Шарикоподшипники внутри муфты фиксируются в прорези, обеспечивая плотность соединения. Теперь электроинструмент надежно подсоединен к пылесосу.

Обеспечение индивидуальной безопасности

1. Не допускайте детей или беременных женщин в рабочую зону, где выполняется чистка окрашенных поверхностей или их зачистка проволочной щеткой, до тех пор пока не будет проведена полная очистка.
2. Все лица, входящие в место проведения работ, должны надевать пылезащитную маску или респиратор. Фильтр следует заменять ежедневно или всякий раз, когда у пользователя возникают трудности с дыханием.

ПРИМЕЧАНИЕ: Допускается использование только тех пылезащитных масок, которые подходят для работы с пылью и парами свинцовой краски. Стандартные маски для работы с краской не обеспечивают должную защиту. Купите в ближайшем строительном магазине респиратор утвержденного типа.

3. НЕ ПРИНИМАЙТЕ ПИЩУ, НЕ ПЕЙТЕ ЖИДКОСТИ И НЕ КУРИТЕ в рабочей зоне для исключения попадания частиц краски в организм. ПЕРЕД приемом пищи, питьем или курением работник должен помыться и почиститься. Пищевые продукты, напитки или сигареты не должны находиться в рабочей зоне, так как на них может осесть пыль.

Чистка и утилизация

1. Пластиковую одноразовую одежду следует собирать и утилизировать вместе с собранной пылью и другим мусором. Их следует помещать в герметичные емкости для сбора мусора и регулярно вывозить в пункт приема отходов.
Во время чистки дети и беременные женщины не должны находиться в рабочей зоне.
2. Все игрушки, моющиеся мебель и принадлежности, используемые детьми, необходимо тщательно вымыть перед дальнейшим использованием.

Нарезание

1. Всегда используйте средства пылеудаления.
2. Установите необходимую глубину и ширину.
3. Стойте таким образом, чтобы открытая нижняя часть защитного кожуха была направлена в сторону от вас.

4. Убедитесь, что основание защитного кожуха всегда ровно лежит на поверхности заготовки, обеспечивая эффективное пылеудаление.
5. Дождитесь, пока инструмент не наберет полную скорость, перед касанием поверхности заготовки.
6. Прилагайте минимальное давление на рабочую поверхность, чтобы инструмент работал на высокой скорости. Эффективность резания максимальна, когда инструмент работает на высокой скорости.
7. При резке вертикальных поверхностей всегда начинайте разрез сверху и тяните инструмент вниз, следуя указанным на подошве стрелкам направления.
8. После начала резки и образования надреза на поверхности заготовки не меняйте угол резки. Изменение угла приведет к заклиниванию алмазного диска и может привести к его разрушению. Алмазные диски не рассчитаны на выдерживание боковых нагрузок, возникающих при зажимании.
9. Продолжайте оказывать мягкое давление, пока диск не достигнет заданной глубины.
10. Поднимите инструмент с обрабатываемой поверхности перед его выключением. Дождитесь полной остановки двигателя прежде чем положить инструмент.

Рекомендации при выполнении работ

Соблюдайте осторожность при обработке углов, краев и небольших поверхностей.

Пазы в несущих стенах регулируются положениями государственного законодательства. Данные положения должны соблюдаться при любых обстоятельствах. Перед началом работ проконсультируйтесь с ответственным инженером-проектировщиком, архитектором или производителем работ.

ТЕХНИЧЕСКОЕ ОБСЛУЖИВАНИЕ

Электроинструмент DeWALT имеет длительный срок эксплуатации и требует минимальных затрат на техобслуживание. Для длительной безотказной работы необходимо обеспечить правильный уход за инструментом и его регулярную очистку.



ВНИМАНИЕ: Чтобы снизить риск получения серьезной травмы, необходимо выключить инструмент и отсоединить батарею, прежде чем выполнять какую-либо регулировку либо удалять/устанавливать какие-либо насадки или дополнительные принадлежности.

Случайный запуск может привести к травме.

Зарядное устройство и аккумуляторные батареи неремонтопригодны.



Смазка

Ваш электроинструмент не требует дополнительной смазки.



Чистка



ВНИМАНИЕ: Выдувайте грязь и пыль из корпуса сухим сжатым воздухом по мере видимого скопления грязи внутри и вокруг вентиляционных отверстий. Выполняйте очистку, надев средство защиты глаз и респиратор утвержденного типа.



ВНИМАНИЕ: Никогда не используйте растворители или другие агрессивные химические средства для очистки неметаллических деталей инструмента. Эти химикаты могут ухудшить свойства материалов, примененных в данных деталях. Используйте ткань, смоченную в воде с мягким мылом. Не допускайте попадания какой-либо жидкости внутрь инструмента; ни в коем случае не погружайте какую-либо часть инструмента в жидкость.

Дополнительные принадлежности



ВНИМАНИЕ: Поскольку принадлежности, отличные от тех, которые предлагает DEWALT, не проходили тесты на данном изделии, то использование этих принадлежностей может привести к опасной ситуации. Во избежание риска получения травмы, с данным продуктом должны использоваться только рекомендованные DEWALT дополнительные принадлежности.

По вопросу приобретения дополнительных принадлежностей обращайтесь к Вашему дилеру.

Защита окружающей среды



Отдельная утилизация. Изделия и аккумуляторные батареи с данным символом на маркировке запрещается утилизировать с обычными бытовыми отходами.

Изделия и аккумуляторные батареи содержат материалы, которые могут быть извлечены или переработаны, снижая потребность в исходном сырье. Пожалуйста, утилизируйте электрические изделия и аккумуляторные батареи в соответствии с местными нормами. Дополнительная информация доступна по адресу www.2helpU.com.

Аккумуляторная батарея

Данную аккумуляторную батарею с длительным сроком эксплуатации необходимо перезаряжать, когда она перестает обеспечивать питание, необходимое для выполнения определенных работ. По окончании срока эксплуатации ее следует утилизировать, соблюдая при этом необходимые меры по защите окружающей среды:

- полностью разрядите батарею до конца и извлеките ее из инструмента;

- ионно-литиевые аккумуляторные батареи подлежат вторичной переработке. Сдайте их нашему дилеру или в местный центр вторичной переработки. В этих пунктах батареи будут подвергнуты повторной переработке или правильной утилизации.

KANAL AÇMA ALETİ

DCG200

Tebrikler!

Bir DeWALT aleti seçtiniz. Uzun süreli deneyim, sürekli ürün geliştirme ve yenilik DeWALT markasının profesyonel elektrikli alet kullanıcıları için en güvenilir ortaklardan birisi haline gelmesini sağlamaktadır.

Teknik Özellikleri

		DCG200
Voltaj	V_{DC}	54
Tip		1
Akü tipi		Li-Ion
Yüksüz/anma hızı dev/dak	min^{-1}	9000
Elmas disk çapı	mm	125
Elmas disk kalınlığı (maks.)	mm	3
Elmas diskin delik çapı	mm	22,23
Kesme derinliği (maks.)	mm	32
Kanal genişliği (maks.)	mm	35
Mil çapı		M14
Ağırlık (akü hariç)	kg	3,7
EN60745-2-2'e göre tespit edilen toplam gürültü ve titreşim değerleri (üç yönün vektör toplamı):		
L_{PA} (ses basıncı düzeyi)	dB(A)	102
L_{WA} (akustik güç düzeyi)	dB(A)	113
K (akustik gücü belirsizliği)	dB(A)	3
Titreşim emisyon değeri $a_{H1} =$		
	m/s^2	4,7
Belirsizlik K =		
	m/s^2	1,5

Bu bilgi sayfasında verilen titreşim ve/veya gürültü emisyonu düzeyi, EN60745'de belirtilen standart teste uygun olarak ölçülmüştür ve aletleri birbiriyle karşılaştırmak için kullanılabilir. Maruz kalmaya dönük bir ön değerlendirme olarak kullanılabilir.

UYARI: Beyan edilen titreşim ve/veya gürültü emisyon düzeyi, aletin ana uygulamalarını yansıtır. Bununla birlikte alet farklı uygulamalar için, farklı aksesuarlar veya yeterince bakım yapılmadan kullanıldığında, titreşim ve/veya gürültü emisyonu değişebilir. Bu, toplam çalışma süresindeki maruz kalma seviyesini önemli ölçüde artırabilir.

Titreşim ve/veya gürültü maruz kalma seviyesine ilişkin bir tahminde bulunurken aletin kapalı kaldığı veya çalıştığı ancak gerçekte işi yapmadığı zamanlar da dikkate alınmalıdır. Bu, toplam çalışma süresindeki maruziyet düzeyini önemli ölçüde azaltabilir.

Operatörü titreşim ve/veya gürültünün etkilerinden korumak için aşağıdakiler gibi ilave güvenlik önlemleri tanımlayın: aleti ve aksesuarları iyi koruyun, ellerinizi sıcak tutun (titreşim için uygundur), çalışma sürelerini iyi organize edin.

AT Uygunluk Beyanatı

Makine Direktifi



Kanal açma aleti DCG200

DeWALT, **Teknik Özellikleri** bölümünde açıklanan bu ürünlerin aşağıda belirtilen yönergelere uygun olduğunu beyan eder: 2006/42/AT, EN60745-1:2009+A11:2010, EN60745-2-22:2011+A11:2013.

Bu ürünler ayrıca 2014/30/EU ve 2011/65/EU Direktiflerine de uygundur. Daha ayrıntılı bilgi için, lütfen aşağıdaki adresten DeWALT ile temas kurun veya kılavuzun arka kapağına bakın.

Bu belge altında imzası bulunan yetkili, teknik dosyanın derlenmesinden sorumludur ve bu beyanı DeWALT adına vermiştir.

Markus Rompel
PTE-Avrupa, Mühendislik Birimi Genel Müdür Yardımcısı
DeWALT, Richard-Klinger-Straße 11,
D-65510, Idstein, Almanya
20.12.2018



UYARI: Yaralanma riskini azaltmak için, kullanım kılavuzunu okuyun.

Tanımlar: Güvenlik Talimatları

Aşağıdaki tanımlar her işaret sözcüğü ciddiyet derecesini gösterir. Lütfen kılavuzu okuyunuz ve bu simgelere dikkat ediniz.



TEHLİKE: Engellenmemesi halinde ölüm veya ciddi yaralanma ile sonuçlanabilecek çok yakın bir tehlikeli durumu gösterir.



UYARI: Engellenmemesi halinde ölüm veya ciddi yaralanma ile sonuçlanabilecek potansiyel bir tehlikeli durumu gösterir.



DİKKAT: Engellenmemesi halinde önemsiz veya orta dereceli yaralanma ile sonuçlanabilecek potansiyel bir tehlikeli durumu gösterir.

İKAZ: Engellenmemesi halinde maddi hasara neden olabilecek, yaralanma ile ilişkisi olmayan durumları gösterir.



Elektrik çarpması riskini belirtir.



Yangın riskini belirtir.

Aküler				Şarj Aletleri/Şarj Süreleri (Dakika)							
Kat. #	V _{DC}	Ah	Ağırlık (kg)	DCB104	DCB107	DCB112	DCB113	DCB115	DCB118	DCB132	DCB119
DCB546	18/54	6,0/2,0	1,05	60	270	170	140	90	60	90	X
DCB547	18/54	9,0/3,0	1,46	75*	420	270	220	135*	75*	135*	X
DCB548	18/54	12,0/4,0	1,44	120	540	350	300	180	120	180	X
DCB181	18	1,5	0,35	22	70	45	35	22	22	22	45
DCB182	18	4,0	0,61	60/40**	185	120	100	60	60/40**	60	120
DCB183/B	18	2,0	0,40	30	90	60	50	30	30	30	60
DCB184/B	18	5,0	0,62	75/50**	240	150	120	75	75/50**	75	150
DCB185	18	1,3	0,35	22	60	40	30	22	22	22	X
DCB187	18	3,0	0,54	45	140	90	70	45	45	45	90
DCB189	18	4,0	0,54	60	185	120	100	60	60	60	120

*Veri kodu 201811475B veya sonrası

**Veri kodu 201536 veya sonrası

ELEKTRİKLİ EL ALETLERİ İÇİN GENEL GÜVENLİK TALİMATLARI



UYARI: Bu elektrikli aletle verilen tüm güvenlik uyarılarını, talimatları, resimleri ve teknik özellikleri okuyun. Aşağıda listelenen tüm talimatlara uyulmaması elektrik çarpmasına, yangına ve/veya ciddi yaralanmalara neden olabilir.

BÜTÜN UYARI VE GÜVENLİK TALİMATLARINI İLERİDE BAKMAK ÜZERE SAKLAYIN

Uyarılarda yer alan «elektrikli alet» terimi şebeke elektrifiyle (kablolu) veya akü/pille (şarjlı) çalışan elektrikli aletinizi ifade etmektedir.

1) Çalışma alanının Güvenliği

- Çalışma alanını temiz ve aydınlık tutun.** Karışık ve karanlık alanlar kazaya davetiye çıkarır.
- Elektrikli aletleri, yanıcı sıvılar, gazlar ve tozların bulunduğu yerler gibi yanıcı ortamlarda çalıştırmayın.** Elektrikli aletler, toz veya dumanları ateşleyebilecek kıvılcımlar çıkarır.
- Bir elektrikli aleti çalıştırırken çocuklardan ve etraftaki kişilerden uzak tutun.** Dikkatinizi dağıtıcı şeyler kontrolü kaybetmenize neden olabilir.

2) Elektrik Güvenliği

- Elektrikli aletlerin fişleri prizlere uygun olmalıdır.** Fiş üzerinde kesinlikle hiçbir değişiklik yapmayın. Topraklı elektrikli aletlerde hiçbir adaptör fişi kullanmayın. Değiştirilmemiş fişler ve uygun prizler elektrik çarpması riskini azaltacaktır.
- Borular, radyatörler, ocaklar ve buzdolapları gibi topraklanmamış yüzeylerle vücut temasından kaçının.** Vücudunuzun topraklanması halinde yüksek bir elektrik çarpması riski vardır.
- Elektrikli aletleri yağmura maruz bırakmayın veya ıslatmayın.** Elektrikli alete su girmesi elektrik çarpması riskini arttıracaktır.
- Elektrik kablosunu uygun olmayan amaçlarla kullanmayın.** Elektrikli aleti kesinlikle kablosundan

tutarak taşımayın, çekmeyin veya prizden çıkartmayın. Kabloyu sıcağıktan, yağdan, keskin kenarlardan veya hareketli parçalardan uzak tutun. Hasarlı veya dolaşmış kablolar elektrik çarpması riskini artırır.

- Elektrikli bir aleti açık havada çalıştırıyorsanız, açık havada kullanıma uygun bir uzatma kablosu kullanın.** Açık havada kullanıma uygun bir kablolu kullanılması elektrik çarpması riskini azaltır.
- Eğer bir elektrikli aletin nemli bir bölgede çalıştırılması zorunluysa, bir artık akım aygıtı (RCD) korumalı bir kaynak kullanın.** Bir RCD kullanılması elektrik şoku riskini azaltır.

3) Kişisel Güvenlik

- Elektrikli bir aleti kullanırken her zaman dikkatli olun, yaptığınız işe yoğunlaşın ve sağduyulu davranın.** Elektrikli bir aleti yorgunken veya ilaç ya da alkolün etkisi altındayken kullanmayın. Elektrikli aletleri kullanırken bir anlık dikkatsizlik ciddi kişisel yaralanmayla sonuçlanabilir.
- Kişisel koruyucu ekipmanları mutlaka kullanın. Daima koruyucu gözlük takın.** Koşullara uygun toz maskesi, kaymayan güvenlik ayakkabıları, baret veya kulaklık gibi koruyucu donanımların kullanılması kişisel yaralanmaları azaltacaktır.
- İstem dışı çalıştırılmasını önleyin. Aleti güç kaynağına ve/veya aküye bağlamadan, yerden kaldırmadan veya taşımadan önce düğmenin kapalı konumda olduğundan emin olun.** Aleti, parmağınız düğme üzerinde bulunacak şekilde taşımak veya açık konumdaki elektrikli aletleri elektrik şebekesine bağlamak kazaya davetiye çıkarır.
- Elektrikli aleti açmadan önce tüm ayarlar anahtarlarını çıkartın.** Elektrikli aletin hareketli bir parçasına takılı kalmış bir anahtar kişisel yaralanmaya neden olabilir.
- Ulaşmakta zorlandığımız yerlerde kullanmayın. Daima sağlam ve dengeli basın.** Bu, beklenmedik

durumlarda elektrikli aletin daha iyi kontrol edilmesine olanak tanır.

- f) **Uygun şekilde giyinin. Bol elbiseler giymeyin ve takı takmayın. Saçınızı, elbiselerinizi ve eldivenlerinizi hareketli parçalardan uzak tutun.** Bol elbiseler ve takılar veya uzun saç hareketli parçalara takılabilir.
- g) **Eğer kullandığınız üründe toz emme ve toplama özellikleri olan ataşmanlar varsa bunların bağlı olduğundan ve doğru şekilde kullanıldığından emin olun.** Bu ataşmanların kullanılması tozla ilgili tehlikeleri azaltabilir.
- h) **Aletlerin sık kullanımı sonucu oluşan aşınalığın keyfi davranışta bulunmanıza ve aletle ilgili güvenlik ilkeleri ihmal etmenize neden olmasına izin vermeyin.** Dikkatsiz bir hareket bir anda ciddi yaralanmalara neden olabilir.

4) Elektrikli Aletlerin Kullanımı ve Bakımı

- a) **Elektrikli aleti zorlamayın. Uygulamanız için doğru elektrikli aleti kullanın.** Doğru elektrikli alet, belirlediği kapasite ayarında kullanıldığında daha iyi ve güvenli çalışacaktır.
- b) **Düğme açmıyor ve kapatmıyorsa elektrikli aleti kullanmayın.** Düğmeyle kontrol edilemeyen tüm elektrikli aletler tehlikelidir ve tamir edilmesi gerekmektedir.
- c) **Herhangi bir ayar, aksesuar değişimi veya elektrikli aletlerin saklanması öncesinde fişi güç kaynağından çekin ve/veya eğer demonte edilebilir tipte ise, bataryayı aletten ayırın.** Bu tür önleyici güvenlik tedbirleri elektrikli aletin istem dışı olarak çalıştırılması riskini azaltacaktır.
- d) **Elektrikli aleti, çocukların ulaşamayacağı yerlerde saklayın ve elektrikli aleti tanımayan veya bu talimatları bilmeyen kişilerin elektrikli aleti kullanmasına izin vermeyin.** Elektrikli aletler, eğitimsiz kullanıcıların elinde tehlikelidir.
- e) **Elektrikli aletleri iyi durumda muhafaza edin. Hareketli parçalardaki hizalama hatalarını ve tutuklukları, parçalardaki kırılmalar ve elektrikli aletin çalışmasını etkileyebilecek tüm diğer koşulları kontrol edin. Hasarlı ise, elektrikli aleti kullanmadan önce tamir ettirin.** Kazaların çoğu, elektrikli aletlerin bakımının yeterli şekilde yapılmamasından kaynaklanır.
- f) **Kesim aletlerini keskin ve temiz tutun.** Bakımı uygun şekilde yapılmış keskin kesim uçlu kesim aletlerinin sıkışma ihtimali daha düşüktür ve kontrol edilmesi daha kolaydır.
- g) **Elektrikli aleti, aksesuarlarını ve aletin diğer parçalarını kullanırken bu talimatlara mutlaka uyun ve çalışma ortamının koşullarını ve yapacağınız iş ne olduğunuzu göz önünde bulundurun.** Elektrikli aletin öngörülen işlemler dışındaki işlemler için kullanılması tehlikeli durumlara neden olabilir.
- h) **Tüm tutamakları ve tutma yerlerini kuru, temiz ve üzerinde yağ ile gres bulunmayacak şekilde muhafaza edin.** Kaygan tutamaklar ve tutma yerleri,

beklenmedik durumlarda aletin güvenli bir şekilde tutulması ve kontrol edilmesine izin vermez.

5) Şarjlı Aletlerin kullanımı ve bakımı

- a) **Sadece üretici tarafından belirtilen şarj cihazı ile şarj edin.** Bir akü tipine uygun bir şarj cihazı başka tipte bir aküyü şarj etmek için kullanıldığında yangın riski yaratabilir.
- b) **Elektrikli aletleri yalnızca özel olarak tanımlanmış akülerle kullanın.** Başka akülerin kullanılması yaralanma ve yangın riskine yol açabilir.
- c) **Akü kullanımda değilken, ataç, bozuk para, anahtar, çivi, vida veya terminaler arasında kontağa neden olabilecek diğer küçük metal nesnelere uzak tutulmalıdır.** Akü terminalerinin birbirine kısa devre yapılması yanıklara veya yangına neden olabilir.
- d) **Uygun olmayan koşullarda, akü sıvı sızıntısı yapabilir; sıvıya temas etmekten kaçının. Kazara temas etmeniz halinde suyla yıkayın. Sıvı, gözlerinize temas ederse, ayrıca bir doktora başvurun.** Aküden sıvı sızması tahriş veya yanıklara neden olabilir.
- e) **Hasarlı ya da modifiye edilmiş bir batarya veya aleti kullanmayın.** Hasarlı ya da modifiye edilmiş bataryalar yangın, patlama veya yaralanma riskiyle sonuçlanan beklenmedik durumlara neden olabilir.
- f) **Bir batarya veya aleti ateşe veya aşırı ısıya maruz bırakmayın.** 130 °C üzeri ısı veya ateşe maruz kalması patlamaya neden olabilir.
- g) **Tüm şarj talimatlarına uyun ve talimatlarda belirtilen sıcaklık aralığı dışında batarya veya aleti şarj etmeyin.** Doğru olmayan şekilde veya belirtilen aralık dışındaki sıcaklıklarda şarj edilmesi bataryaya hasar verebilir ve yangın riskini artırabilir.

6) Servis

- a) **Elektrikli aletinizi, sadece orijinal yedek parçaların kullanıldığı yetkili DEWALT servisine tamir ettirin.** Bu, elektrikli aletin güvenliğinin muhafaza edilmesini sağlayacaktır.
- b) **Hasar görmüş bataryalara asla serviste bulunmayın.** Bataryaların servisi sadece üretici veya yetkili servis tarafından yapılabilir.

Kesim Makineleri için Özel Ek Güvenlik Talimatları

- a) **Aletle birlikte gelen siper, kullanıcı tarafında açıkta kalan kısmı minimum olacak şekilde elektrikli alete sıkıca takılmalı ve maksimum güvenlik sağlayacak şekilde konumlandırılmalıdır. Kendinizi ve izleyen kişileri dönen disklerin düzleminden uzak tutun.** Siper, kullanıcıyı kırılan disk parçacıklarına karşı korur ve kazara diske temas etmeyi önlemeye yardımcı olur.
- b) **Elektrikli aletiniz için sadece elmas kesici diskler kullanın.** Bir aksesuarın elektrikli aletinize takılabiliyor olması güvenli çalışacağına garanti etmez.

- c) **Aksesuarın nominal hızı en az elektrikli alet üzerinde yazan maksimum hıza eşit olmalıdır.** İlgili nominal hızından daha hızlı çalışan aksesuarlar kırılabilir ve etrafa saçılabilir.
- d) **Diskler sadece önerilen uygulamalarda kullanılmalıdır. Örneğin, kesim diskinin kenarı ile taşlama yapmayın.** Taşlama diskleri çevresel taşlama için tasarlanmışlardır, bu disklere uygulanan kenar güçleri disklerin parçalanmasına neden olabilir.
- e) **Daima seçilen diskin çapına göre doğru boyut ve şekle sahip, hasarsız disk flanşları kullanın.** Uygun disk flanşları diski destekleyerek diskin kırılma ihtimalini azaltırlar.
- f) **Aksesuarınızın dış çapı ve kalınlığı elektrikli aletinizin kapasite değerleri dahilinde olmalıdır.** Doğru ebatla olmayan aksesuarlar yeterli koruma sağlamaz ve kontrol edilemezler.
- g) **Disk ve flanşların mil çapı elektrikli aletin miline tam olarak uymalıdır.** Elektrikli aletin montaj donanımına uymayan mil çapına sahip disk ve flanşlar dengesiz çalışır, aşırı titreşim yapar ve kontrol kaybına neden olabilir.
- h) **Hasar görmüş diskleri kullanmayın. Her kullanımdan önce, diskleri talaş ve çatlaklar açısından kontrol edin. Elektrikli alet veya disk yere düşerse, hasar olup olmadığını kontrol edin ya da sağlam bir disk takın. Diskin incelenmesi ve monte edilmesinden sonra, kendinizi ve etraftaki insanları disk düzleminden uzakta tutun ve bir dakika boyunca elektrikli aleti boştaki ve maksimum hızda çalıştırın.** Bu test süresince hasarlı diskler normalde kırılıp dağılır.
- i) **Koruyucu ekipman kullanın. Uygulamaya bağlı olarak yüz siperi veya güvenlik gözlüğü kullanın. Duruma bağlı olarak toz maskesi, kulaklık, eldiven ve küçük zımpara veya fırlayan iş parçalarını durdurabilecek iş önlüğü kullanın.** Göz koruyucu, çeşitli işlemlerin neden olduğu uçan parçacıkları durdurabilecek özellikte olmalıdır. Toz maskesi veya solunum aygıtı, yaptığınız işlemin neden olduğu parçacıkları filtreleyebilecek özellikte olmalıdır. Yüksek yoğunluklu gürültüye uzun süre maruz kalınması işitme kaybına yol açabilir.
- j) **Etrafta bulunanların çalışma alanından güvenli bir mesafede durmalarını sağlayın. Çalışma alanına giren herkes koruyucu ekipman giymelidir. İş parçası veya kırılan bir diskin parçaları uçuşarak çalışılan alanın hemen yakınında bulunanların yaralanmasına neden olabilir.**
- k) **Kesme aksesuarının, gömülü elektrik kablolarına temas etmesine yol açabilecek durumlarda aleti sadece yalıtımlı saplarından tutun.** Kesim aksesuarı elektrik akımı bulunan kablolarla temas ettiğinde, akım elektrikli aletin iletken metal parçaları üzerinden kullanıcıya iletilerek elektrik çarpmasına yol açabilir.
- l) **Aksesuar tam olarak durmadan elektrikli aleti asla yere koymayın.** Dönen disk yüzeye takılarak elektrikli aletin kontrolünüzden çıkmasına neden olabilir.

- m) **Elektrikli aleti sağınızda veya solunuzda taşıırken çalıştırmayın.** Kaza ile temas halinde, dönen aksesuar elbisenize takılabilir, aksesuarı vücudunuza doğru çekebilir.
- n) **Elektrikli aletin havalandırma deliklerini düzenli olarak temizleyin.** Motor fanı tozu gövdenin içine çeker ve toz metallerin aşırı miktarda birikmesi elektrik hasarlarına yol açabilir.
- o) **Elektrikli aleti yanıcı malzemelerin yanında çalıştırmayın.** Kıvılcımlar bu malzemelerin tutuşmasına yol açabilir.

Gerı Tepme ve İlgili Uyarılar

Gerı tepme, sıkışmış veya kırılmış bir diskin verdiđi ani tepkidir. Sıkışma veya takılma dönen diskin aniden durmasına neden olur, bu daha sonra kontrolsüz elektrikli aletin bağlanma noktasında, aksesuarın dönme yönünün tersine doğru zorlanmasına yol açar. Örneđin, bir aşındırıcı diskin işleme tabi tutulan parçaya takılması ya da sıkışması durumunda sıkışma noktasına giren disk kenarı malzemenin yüzeyini kazıyarak diskin yükselmesine ya da fırlamasına neden olabilir. Disk, sıkışma noktasındaki hareket yönüne bađlı olarak kullanıcıya doğru veya kullanıcıdan uzađa fırlayabilir. Ayrıca, taşlama diskleri bu koşullar altında kırılabilir. Gerı tepme, elektrikli aletin yanlış kullanılmasından ve/veya hatalı kullanma prosedür veya şartlarından kaynaklanır ve aşađıda verilen uygun tedbirler alınarak önlenebilir.

- a) **Elektrikli aleti sağlam bir şekilde tutun ve vücudunuz ile kolunuzu gerı tepme güçlerine dayanacak şekilde konumlandırın.** Gerı tepmeye veya çalıştırma sırasında tork tepkisine karşı her zaman, varsa, yardımcı tutamađı kullanın. Gerekli tedbirlerin alınması durumunda kullanıcı tork tepkilerini veya gerı tepme güçlerini kontrol edebilir.
- b) **Elinizi daima dönen aksesuardan uzak tutun.** Aksesuar gerı tepme sırasında elinizin üzerinden geçebilir.
- c) **Vücudunuzu dönen disk ile aynı hizada konumlandırmayın.** Gerı tepme kuvveti, elektrikli el aletini blokaj yerinden taşlama diskinin dönme yönünün tersine doğru iter.
- d) **Özellikle köşelerde ve keskin kenarlı yerlerde daha dikkatli çalışın. Aksesuarı zıplatmayın ve takılıp sıkışmasına önleyin.** Köşeler, keskin kenarlar veya zıplama, dönen aksesuarın takılmasına neden olarak kontrolün kaybolmasına veya gerı tepmeye yol açabilir.
- e) **Bir zincir testere, ahşap oyma bıçađı, parçalı elmas disk, çevresel aralıđı 10 mm'den büyük veya dişli testere bıçađı takmayın.** Bu tür bıçaklar sıkça gerı tepme yaparak kontrol kaybına neden olur.
- f) **Kesim diskinin sıkışmamasına dikkat edin ve aşırı basınç uygulamayın. Aşırı derin kesimler yapmaya çalışmayın.** Diske aşırı basınç uygulanması yükü ve kesim sırasında diskin bükülme ya da sıkışma ihtimali ile diskin gerı tepme ve kırılma ihtimalini artırır.
- g) **Disk sıkışma yapıyorsa veya herhangi bir nedenle kesim işlemine ara verilirken elektrikli aleti kapatın ve disk tamamen durana kadar elektrikli aleti hareketsiz olarak tutun. Disk hareket halindeyken**

diski kesim yapılan yerden asla çıkarmaya kalkışmayın; aksi takdirde geri tepme meydana gelebilir. Diskin sıkışma yapmasının nedenlerini araştırın ve gidermek için gerekli düzeltmeleri yapın.

- h) **İş parçası üzerinde yeniden kesim işlemi başlatmayın. Diskin tam hıza çıkmasını bekleyin ve kesim noktasına dikkatli bir şekilde yeniden girin.** Elektrikli alet, üzerinde çalışılan parçaya yeniden konumlandırılırken disk sıkışma, sağa sola yürüme veya geri tepme yapabilir.
- i) **Diskin sıkışma veya geri tepme ihtimalini en aza indirmek için panelleri veya büyük parçaları destekleyin. Büyük parçalar kendi ağırlıklarından dolayı bel vermeye meyillidirler.** Parçanın kesim hattına yakın bir noktaya ve diskin her iki tarafına olacak şekilde parçanın kenarlarına destek yerleştirilmelidir.
- j) **Mevcut duvarlar veya diğer kör alanlarda “cep kesimi” yaparken daha dikkatli olun.** Malzeme içine dalan disk geri tepmeye neden olabilecek gaz ve su hatlarını, elektrik kablolarını ve nesnelere kesebilir.

Ek Güvenlik Bilgileri

- **Bu kılavuzda belirtilmeyen aksesuarların kullanılması tavsiye edilmemektedir ve tehlikeli olabilir.** Aletin nominal hızından daha yüksek hızlarda çalışması için kullanılan güç artırıcılar hatalı kullanım kapsamına girmektedir.
- **Bu alette dairesel testere bıçakları kullanmayın.** Ciddi yaralanmaya sonuçlanabilir.
- **Diski sektirmekten veya sert kullanımdan kaçının.** Eğer böyle bir durum oluşursa, aleti durdurun ve diskte çatlak veya kusur olup olmadığını inceleyin.
- **Doğrudan kıvılcımlar operatör, çevredeki kişiler veya yanıcı malzemelerden uzak tutulmalıdır.** Bir zımparalama aleti, taşlama aleti veya kanal açma aleti kullanılırken kıvılcım çıkabilir. Kıvılcımlar yangına veya yanıklara neden olabilir.
- **Daima ön tutamağı kullanın.** Aletin kontrolünü her zaman korumak için ön tutamak daima kullanılmalıdır.
- **Elektrik kabloları veya boruları bulunabilecek yerleri asla kesmeyin.** Ciddi yaralanmaya sonuçlanabilir.
- **Özellikle yoğun kullanımdan sonra aletinizi daha sık temizleyin.** Metal içeren toz ve parçacıklar sıkça iç yüzeylerde birikir ve elektrik şoku tehlikesine neden olabilir.
- **Bu aleti uzun süre çalıştırmayın. Alet hareketinin yarattığı titreşim el ve kollarınız için zararlı olabilir.** Fazladan koruma amacıyla eldiven kullanın ve maruz kalmayı azaltmak için sık sık dinlenin.
- **Çalışırken toz, kristal parçacıkları, buhar ve duman çıkabilir.** Daima bir toz maskesi veya solunum koruyucu kullanın. Sağlık açısından tehlike!
- **Asla ikiden fazla elmas kesici takmayın.**
- **Sadece elmas uçlu kesme diskleri kullanın.** Segmentlere ayrılmış elmas diskler yalnızca negatif kesme açlarına ve segmentler arasında maksimum 10 mm'ye kadar deliklere sahip olabilir.

Diğer Tehlikeler

Emniyet tedbirlerini düzenleyen yönetmeliğin uygulanmasına ve emniyet sağlayıcı aygıtların kullanılmasına rağmen, başka belirli risklerden kaçınılamaz. Bunlar:

- *Duyuma bozukluğu.*
- *Sıçrayan parçacıklardan kaynaklanan yaralanma riski.*
- *Çalışma sırasında ısınan aksesuarlardan kaynaklanan yanık tehlikesi.*
- *Uzun süreli kullanımdan kaynaklanan yaralanma riski.*

BU TALİMATLARI SAKLAYIN

Şarj Cihazları

DEWALT şarj cihazlarının ayara ihtiyacı yoktur ve olabildiğince kolay çalıştırılmak üzere tasarlanmıştır.

Elektrik Güvenliği

Elektrik motoru, sadece tek bir gerilim ile çalışacak şekilde ayarlanmıştır. Her zaman akü voltajının aletin üretim etiketinde belirlenmiş değerlere uyup uymadığını kontrol edin. Aynı zamanda şarj cihazınızın voltajının ana şebeke voltajınızla aynı olduğundan emin olun.



DEWALT şarj cihazınız EN60335 standardına uygun olarak çift yalıtımlıdır; bu nedenle, topraklama kablosuna gerek yoktur.

Güç kablosu hasarlıysa, DEWALT yetkili servisinden temin edilebilen özel olarak hazırlanmış bir kabloyla değiştirilmelidir.

Uzatma Kablolarının Kullanımı

Kesinlikle gerekli olmadıkça bir uzatma kablosu kullanılmamalıdır. Daima şarj cihazınızın elektrik girişine uygun (**Teknik Özellikleri** bölümüne bakın), onaylı bir uzatma kablosu kullanın. Minimum iletken boyutu 1 mm²'dir; maksimum uzunluk 30 m'dir.

Bir kablo makarası kullanırken, kabloyu daima sonuna kadar açın.

Tüm Akü Şarj Cihazları İçin Önemli Güvenlik Talimatları

BU TALİMATLARI SAKLAYIN: Bu kılavuz uyumlu şarj cihazları hakkında önemli güvenlik ve çalışma talimatları içerir (**Teknik Özellikleri** bölümüne bakın).

- *Şarj cihazını kullanmadan önce şarj cihazının, akünün ve üründe kullanılan akünün üzerindeki talimatları ve uyarıcı işaretleri okuyun.*



UYARI: Elektrik çarpması tehlikesi. Şarj cihazının içine sıvı kaçmasına izin vermeyin. Elektrik çarpmasına neden olabilir.



UYARI: Alet, 30mA akımı aşmayan akım kesici cihazla beraber kullanılmaya tavsiye edilir.



DİKKAT: Yanma tehlikesi. Yaralanma riskini azaltmak için, yalnızca DEWALT şarj edilebilir akülerini şarj edin. Diğer akü tipleri patlayarak yaralanmanıza veya hasar meydana gelmesine yol açabilir.




DİKKAT: Çocuklar, cihazla oynamalarını önlemek amacıyla kontrol altında tutulmalıdır.


İKAZ: Belirli koşullar altında, şarj cihazı güç kaynağına takılıyken, şarj içindeki açık şarj kontakları yabancı

maddeler tarafından kısa devre yapılabilir. Bunlarla sınırlı olmamak kaydıyla iletken nitelikteki çelik yünü, alüminyum folyo veya metal parçacık birikimi gibi yabancı maddeler şarj cihazının yuvalarından uzak tutulmalıdır. Yuvada akü yokken şarj cihazını daima güç kaynağından çıkarın. Şarj cihazının fişini temizlemeden önce çıkarın.

- **Aküyü bu kılavuzdaki şarj cihazlarından başka cihazlarla şarj etmeye ÇALIŞMAYIN.** Şarj cihazı ve akü özellikle birlikte çalışacak şekilde tasarlanmıştır.
- **Bu şarj cihazları DEWALT şarj edilebilir akülerini şarj etmekten başka kullanımlar için tasarlanmamıştır.** Başka kullanımlar yangın veya elektrik çarpmasına yol açabilir.
- **Şarj cihazını yağmura veya kara maruz bırakmayın.**
- **Şarj cihazını fişten çıkarırken kablodan değil fişten tutarak çekin.** Bu, elektrik fişine ve kablolarına hasar verilmesi riskini azaltır.
- **Kablounun üzerine basılmayacak, ortalıkta gezinmeyecek veya başka şekilde hasara ve gerginliğe maruz kalmayacak şekilde yerleştirildiğinden emin olun.**
- **Kesinlikle gerekli olmadıkça uzatma kablosu kullanmayın.** Yanlış uzatma kablosu kullanımı yangın veya elektrik çarpmasına neden olabilir.
- **Şarj cihazının üzerine herhangi bir eşya koymayın veya şarj cihazını havalandırma deliklerini kapatıp aşırı iç sıcaklığa neden olabilecek yumuşak bir yüzeye yerleştirmeyin.** Şarj cihazını herhangi bir ısı kaynağından uzaktaki bir yere koyun. Şarj cihazı muhafazanın üstündeki ve altındaki delikler aracılığıyla havalandırılır.
- **Şarj cihazını hasarlı kordon veya fişle çalıştırmayın—** bunları derhal değiştirin.
- **Şarj cihazını sert bir darbe aldıysa, düştüyse veya herhangi bir şekilde hasar gördüyse çalıştırmayın.** Yetkili bir servis merkezine götürün.
- **Şarj cihazını sökmeyin; servis veya onarım gerektiğinde yetkili bir servis merkezine götürün.** Yanlış yeniden takma elektrik çarpmasına veya yangına yol açabilir.
- **Elektrik kablosu hasarlı ise, bir tehlike oluşmasını önlemek için üretici ya da yetkili Servis Merkezi tarafından değiştirilmelidir.**
- **Herhangi bir temizlik işlemi yapmadan önce şarj cihazının fişini prizden çekin. Bu, elektrik çarpması riskini azaltır.** Aküyü çıkarmak bu riski azaltmaz.
- **ASLA 2 şarj cihazını bir arada bağlamaya çalışmayın.**
- **Şarj cihazı standart 230 V ev elektrik gücüyle çalışmak üzere tasarlanmıştır. Başka herhangi bir voltaj ile kullanmayı denemeyin. Bu araba şarj cihazı için geçerli değildir.**

Bir Bataryanın Şarj Edilmesi (Şek. [Fig.] B)


1. Bataryayı takmadan önce şarj cihazını uygun prize takın.
2. Bataryayı  şarj cihazına takın, bataryanın şarj cihazına tamamen oturduğundan emin olun. Devamlı yanıp sönen kırmızı (şarj) ışık, şarj işleminin başladığını gösterir.
3. Şarjın tamamlandığı, kırmızı ışığın sürekli yanmasyıla belirtilir. Batarya tam olarak şarj edildikten sonra hemen kullanılabilir veya şarj cihazından bırakılabilir. Bataryayı şarj cihazından

çıkarmak için, bataryanın üzerindeki batarya bırakma düğmesine  basın.

NOT: Lityum iyon bataryalardan maksimum performans almak ve bataryaların kullanım ömrünü uzatmak için, ilk kullanım öncesinde tam olarak şarj edin.

Şarj Cihazının Çalışması

Bataryanın şarj durumu için aşağıdaki göstergelere bakın.

Şarj ışıkları	
 şarj ediliyor	 
 tamamen şarj oldu	 
 sıcak/soğuk akü gecikmesi*	 

*Bu işlem esnasında kırmızı ışık yanıp sönmeye devam edecek, fakat bir sarı ışık da yanacaktır. Akü uygun bir sıcaklığa ulaştığında, sarı ışık kapanacak ve şarj aleti şarj işlemine devam edecektir.

Uyumlu şarj cihazı arızalı bir aküyü şarj etmeyecektir. Şarj cihazı lambası yanmayarak arızalı bir bataryayı gösterecektir.

NOT: Bu aynı zamanda şarj cihazının arızalı olduğu anlamına da gelebilir.

Şarj cihazı bir sorun gösteriyorsa, şarj cihazını ve akü takımını test edilmek üzere yetkili bir servis merkezine gönderin.

Sıcak/Soğuk Paket Gecikmesi

Şarj aleti çok sıcak veya çok soğuk bir batarya tespit ettiğinde, otomatik olarak Sıcak/Soğuk Gecikmesini başlatarak batarya uygun sıcaklığa gelene kadar şarjı durdurur. Şarj aleti sonrasında otomatik olarak şarj moduna geçer. Bu özellik maksimum batarya ömrünü garanti eder.

Soğuk bir batarya sıcak bir bataryaya göre daha yavaş bir hızla şarj olacaktır. Akü takımı tüm şarj döngüsü boyunca daha yavaş bir hızda şarj olacaktır ve akü ısındığında bile maksimum şarj oranına geri dönmeyecektir.

Elektronik Koruma Sistemi

XR Li-Ion cihazları aşırı yük, aşırı ısınma veya tamamen boşalmadan koruyacak bir Elektronik Koruma Sistemi ile birlikte tasarlanmıştır.

Elektronik Koruma Sistemi devreye girerse alet otomatik olarak kapatılacaktır. Bu durum gerçekleşirse lityum iyon aküyü tamamen şarj olana dek bir şarj cihazının üzerine koyun.

Duvara Montaj

Bu şarj cihazları duvara monte edilebilir veya bir masa veya çalışma tezgahı üzerinde yukarı doğru durabilir şekilde tasarlanır. Duvara monte edilecek şarj aletini bir elektrik prizinin yakınında veya bir köşe veya hava akımını engelleyebilecek diğer engellerden uzakta konumlandırın. Şarj cihazının arka tarafını montaj vidalarının duvar üzerindeki yerini belirlemek amacıyla şablon olarak kullanın. Şarj aletini (ayrıca satın alınan) en az 25,4 mm uzunluğunda ve 7–9 mm bir vida başı çapına sahip, ahşap üzerine vidalandığında vida başının açıkta olan kısmı yaklaşık 5,5 mm optimal bir derinlik bırakacak şekilde vidalayarak monte edin. Şarj cihazının arkasındaki yuvaları vidaların açıkta olan kısımlarıyla hizalayın ve onları yuvalara tam olarak oturtun.

Şarj Cihazı Temizlik Talimatları



UYARI: Elektrik çarpması tehlikesi. Temizlik öncesinde AC çıkışı bağlantısını kesin. Şarj cihazının dış yüzeyindeki kir ve yağ bir bez parçası yada metal olmayan bir fırça kullanılarak çıkarılabilir. Su veya temizlik solüsyonları kullanmayın. Aletin içine herhangi bir sıvının girmesine izin vermayın; aletin herhangi bir parçasını bir sıvı içine daldırmayın.

Akü

Tüm Aküler İçin Önemli Güvenlik Talimatları

Yedek aküleri sipariş ederken, katalog numarasını ve voltajı eklediğinizden emin olun.

Akü, kutudan şarjı dolu olarak çıkmaz. Aküyü ve şarj cihazını kullanmadan önce, aşağıdaki güvenlik talimatlarını dikkatlice okuyun. Daha sonra belirtilen şarj işlemlerini uygulayın.

TÜM TALİMATLARI OKUYUN

- **Aküyü yanıcı sıvılar, gazlar ve tozların bulunduğu yerler gibi yanıcı ortamlarda şarj etmeyin veya kullanmayın.** Aküyü şarj cihazına takmak veya cihazdan çıkarmak toz veya dumanları tutuşturabilir.
- **Aküyü şarj cihazının içine doğru zorlamayın. Akü kırılarak ciddi kişisel yaralanmaya neden olabileceğinden akünün üzerinde hiçbir şekilde uyumsuz bir şarj cihazına uydurmak için değişiklik yapmayın.**
- Aküleri yalnızca DEWALT şarj cihazlarında şarj edin.
- **Su veya diğer sıvıları sıçratmayın veya bunlara DALDIRMAYIN.**
- **Aleti ve bataryayı, sıcaklığın 4 °C'nin (34 °F) altına düştüğü (örneğin, kışın küllübeler veya metal yapıların dışında) veya 40 °C'nin (104 °F) üzerine ulaştığı yerlerde (örneğin, yazın küllübeler veya metal yapıların dışında) depolamayın veya kullanmayın.**
- **Önemli ölçüde hasarlı veya tamamen eskimiş olsa bile aküyü ateşe atmayın.** Akü ateşe atılırsa patlayabilir. Lityum iyon aküler yanıcı zehirli buharlar ve materyaller açığa çıkar.
- **Akü içeriği cildinizle temas ederse, etkilenen alanı derhal yumuşak bir sabun ve suyla yıkayın.** Akü sıvısı gözlerinize bulaşırca, gözünüzü açık tutarak 15 dakika boyunca veya tahriş hissi geçene kadar suyla yıkayın. Tıbbi yardım gerekirse, akü elektroliti sıvı organik karbonatlar ve lityum tuzları karışımından oluşmaktadır.
- **Açılan akü hücrelerinin içeriği solunum yolunu tahriş edebilir.** Ortama temiz hava girmesini sağlayın. Belirtiler geçmezse tıbbi yardım alın.



UYARI: Yanık tehlikesi. Akü sıvısı kıvılcıma veya ateşe maruz kalırsa yanıcı olabilir.



UYARI: Aküyü hiçbir nedenle asla açmayın. Akünün muhafazası çatlırsa veya hasar görürse, şarj cihazına takmayın. Aküyü çarpmayın, düşürmeyin veya pakete hasar vermeyin. Sert bir darbe almış, düşmüş, çignenmiş veya herhangi bir şekilde hasar görmüş (örn. çiviyle delinmiş, çekiçle vurulmuş veya üzerine basılmış) bir aküyü veya şarj cihazını kullanmayın. Elektrik çarpmasına

yol açabilir. Hasarlı aküler geri dönüşüm için servis merkezine gönderilmelidir.



UYARI: Yangın tehlikesi. Bataryayı metal nesnelere batarya terminallerine değmeyecekleri şekilde saklayın veya taşıyın. Örneğin, bataryayı içerisinde gevşek çiviler, vidalar, anahtarlar vb. bulunan kayışlı taşıyıcı, cep, alet kutuları, ürün kiti kutuları, çekmece vb. içerisine koymayın.



DİKKAT: Aleti kullanmadığınız zaman, devrilmeye veya düşme tehlikesine yol açmayacağı dengeli bir yüzeye yan tarafının üzerine yerleştirin. Büyük akülere sahip bazı aletler akünün üzerinde dik durabilir, ancak bunlar kolayca devrilebilir

Nakliyat



UYARI: Yangın tehlikesi. Batarya nakliyatında, batarya kutuplarının istemsiz şekilde iletken maddelerle temas ederek yangına sebep vermesi ihtimali vardır. Batarya nakliyatı yaparken, batarya kutuplarının iyi korunduğundan ve kutuplarla temas edip kısa devreye sebep olabilecek maddelerden iyi şekilde izole edildiğinden emin olun.

NOT: Lityum-iyon piller kontrol edilmiş bagaja konmamalıdır.

DEWALT bataryalar, Tehlikeli Maddelerin Nakliyesi Hakkında BM Tavsiyeleri; Uluslararası Hava Taşımacılığı Birliği (IATA) Tehlikeli Madde Düzenlemeleri, Uluslararası Deniz Taşımacılığı Tehlikeli Madde (IMDG) Düzenlemeleri ve Uluslararası Karayoluyla Tehlikeli madde Taşıma Konulu Avrupa Anlaşması içeriklerinde belirtilen sektörel ve hukuki standartların tüm düzenlemeleriyle uyumludur. Lityum-iyon bataryalar, Tehlikeli Madde Taşımacılığı Kılavuzu Testleri ve Kriterleri Hakkındaki BM Tavsiyelerinin 38.3. bölümüne kadar test edilmiştir.

Çoğu durumda bir DEWALT bataryanın nakliyesinin tam olarak düzenlenmiş bir Sınıf 9 Tehlikeli Maddeler kapsamında sınıflandırılması beklenir. Genelde sadece 100 Watt Saat (Wh) üzeri bir enerji değerine sahip bir lityum iyon bataryayı içeren taşıma işlemlerinin tam olarak düzenlenmiş bir Sınıf 9 Tehlikeli Maddeler kapsamında sınıflandırılarak yapılması gerekmektedir. Tüm lityum iyon bataryalarda ambalajın üzerinde Watt Saati değeri mevcuttur. Buna ilave olarak, düzenlemedeki karışıklıklar nedeniyle, DEWALT lityum iyon bataryaların Watt Saati değeri göz önünde bulundurulmaksızın havayolu kargosuyla tek başına taşınmasını önermez. Bataryası bulunan aletlerin (kombo setler) havayoluyla nakliyesi ancak bataryanın sahip olduğu Watt Saati değerinin 100 Watt Saatinden yüksek olmaması şartıyla yapılabilir.

Nakliyat kapsam dışında da kalsa, tamamen düzenlenmiş de olsa, paketleme, etiketleme ve belgeleme gereklilikleri hakkındaki son düzenlemeleri takip etmek nakliyatçıların sorumluluğudur.

Kılavuzun bu bölümünde bulunan bilgiler iyi niyetle yazılmıştır ve kılavuzun hazırladığı tarih itibarıyla doğru olduğuna inanılmaktadır. Fakat, sözlü veya yazımla hiçbir garanti verilmemektedir. Gerçekleştiği işlemlerin geçerli düzenlemelerle uyumlu olduğundan emin olmak alıcının sorumluluğundadır.

Saklama Önerileri

1. En iyi saklama ortamı serin ve kuru, doğrudan güneş ışığı almayan, aşırı sıcak ve soğuk olmayan yerlerdir. En uygun akü performansı ve ömrü için kullanımda değilken aküleri oda sıcaklığında saklayın.
2. Uzun süreli saklama için, en iyi sonuç için şarj cihazından uzak serin, kuru bir yerde tamamen dolu bir akü saklamak için tavsiye edilir.

NOT: Aküler tamamen şarj boşalmış halinde saklanmamalıdır. Akünün kullanılmadan önce yeniden şarj edilmesi gerekir.

Şarj Cihazı ve Akü Üzerindeki Etiketler

Bu kılavuzda kullanılan sembollere ilave olarak, şarj cihazı ve akü üzerinde bulunan etiketler aşağıdaki sembolleri belirtmektedir:



Aletle çalışmaya başlamadan önce bu kılavuzu okuyun.



Şarj süresi için **Teknik Özellikleri** bölümüne bakın.



İletken nesnelere temas etmeyin.



Hasarlı aküleri şarj etmeyin.



Suya maruz bırakmayın.



Hasarlı kabloların hemen değiştirilmesini sağlayın.



Sadece 4 °C ve 40 °C arasında şarj edin.



Yalnızca kapalı alanda kullanım icindir.



Aküleri çevremize gerekli ozeni göstererek atın.



DEWALT aküler, yalnızca onlar için tasarlanmış olan DEWALT şarj cihazlarında şarj edin. DEWALT aküleri haricindeki akülerin DEWALT şarj cihazlarıyla şarj edilmesi patlamalarına veya diğer tehlikeli durumların ortaya çıkmasına sebep olabilir.



Aküyü ateşe atmayın.

Akü tipi

DCG200 54 volt akülerle çalışır.

Bu bataryalar kullanılmalıdır: DCB546, DCB547, DCB548. Daha fazla bilgi için **Teknik Özellikleri** bölümüne bakın.

Ambalaj İçeriği

Ambalaj, aşağıdaki parçaları içermektedir:

- 1 Kanal açma aleti
- 2 Elmas kesici disk
- 1 Keski
- 1 Dişsiz destek flanş
- 1 Dişli kilit flanş
- 1 3 mm Pul
- 1 6 mm Pul
- 1 9 mm Pul
- 1 12 mm Pul
- 1 Altıgen anahtar
- 1 Şarj cihazı
- 1 Li-lyon batarya (C1, D1, L1, M1, P1, S1, T1, X1, Y1 modelleri)
- 2 Li-lyon bataryalar (C2, D2, L2, M2, P2, S2, T2, X2, Y2 modelleri)
- 3 Li-lyon bataryalar (C3, D3, L3, M3, P3, S3, T3, X3, Y3 modelleri)
- 1 Kullanım kılavuzu

NOT: Bataryalar, şarj cihazları ve alet kutuları N modellerinde bulunmaz. Bataryalar ve şarj cihazları NT modellerinde bulunmaz. B modelleri Bluetooth® bataryaları içerir.

NOT: Bluetooth® kelimesi tescilli ve logoları Bluetooth®, SIG, Inc.'in tescilli markalarıdır ve bunların DEWALT tarafından kullanımı lisanslıdır. Diğer ticari markalar ve ticari isimler ilgili sahibine aittir.

- Alet, parçalar ve aksesuarlarda nakliye sırasında hasar oluşup oluşmadığını kontrol edin.
- Çalıştırmadan önce bu kılavuzu iyice okuyup anlamak için zaman ayırın.

Alet Üzerindeki Etiketler

Alet üzerinde, aşağıdaki uyarı sembolleri bulunmaktadır:



Aletle çalışmaya başlamadan önce bu kılavuzu okuyun.



Kulaklık takın.



Koruyucu gözlük takın.

Tarih Kodu Konumu (Şek. A)

İmalat yılını da içeren Tarih Kodu **18** gövdeye basılıdır.

Örnek:

2019 XX XX

İmalat Yılı

Açıklama (Şek. A, C)



UYARI: Hiçbir zaman elektrikli aleti veya herhangi bir parçasını değiştirmeyin. Hasarla veya yalalanmayla sonuçlanabilir.

- 1 Tetik düğmesi
- 2 Kilitleme kolu
- 3 Mil kilidi düğmesi
- 4 Toz toplama portu
- 5 Ana tutamak
- 6 Yardımcı tutamak

TÜRKÇE

- 7 Dişsiz destek flanş
- 8 Dişli kilit flanş
- 9 Batarya
- 10 Batarya çıkarma düğmesi
- 11 Derinlik ayarlama kadranı
- 12 Siper
- 13 Bıçak erişim mandalı
- 14 Alt siper açma düğmesi
- 15 Döner diskler
- 16 Bluetooth® alet etiketi montaj delikleri (Şek. C)
- 17 Pullar

Kullanım Amacı

Kanal açma aletiniz, beton ve tuğla duvarda suya ihtiyaç duymadan profesyonel kanal açma uygulamaları için tasarlanmıştır.

Islak koşullarda veya yanıcı sıvı ya da gazların mevcut olduğu ortamlarda **KULLANMAYIN**.

Bu kanal açma aleti profesyonel amaçlı bir elektrikli alettir.

Çocukların aleti ellemesine **İZİN VERMEYİN**. Bu alet deneyimsiz kullanıcılar tarafından kullanılırken nezaret edilmelidir.

- Bu ürün fiziksel ve zihinsel kapasitesinin yanı sıra algılama gücü azalmış olan veya yeterince deneyim ve bilgisi bulunmayan kişiler (çocuklar dahil) tarafından kullanılmak üzere üretilmemiştir. Bu tür kişiler ürünü ancak güvenliklerinden sorumlu bir kişi tarafından cihazın kullanımıyla ilgili talimatların verilmesi veya sürekli kontrol altında tutulması durumunda kullanabilir. Çocuklar, bu ürün ile kontrol altında tutulmalıdır.

Elektronik Debriyaj




Elektronik tork sınırlama kavraması, matkap ucunun sıkışması durumunda operatöre iletilen maksimum tork tepkimesini düşürür. Bu özellik aynı zamanda dişli düzeneğinin ve elektrik motorunun teklemesini engeller. Tork sınırlama kavraması fabrikada ayarlanmıştır ve ayarlanamaz.

Fren

Güç kapalı olduğunda fren dönen elmas diski bu özelliğe sahip olmayan bir üniteye göre daha hızlı bir şekilde durdurur. Bu da verimliliği ve kullanıcı güvenliğini artırır. Durdurma süresi kullanılan çark tipine bağlı olarak değişir.

DEWALT Bluetooth® Alet Etiketi Hazır (Şek. C)

İsteğe Bağlı Aksesuar

-  **UYARI:** DEWALT Bluetooth® Alet Etiketi kullanma kılavuzunu okuyun.
-  **UYARI:** DEWALT Bluetooth® Alet Etiketini takmadan önce aleti kapatın ve bataryayı ayırın.
-  **UYARI:** DEWALT Bluetooth® Alet Etiketini takarken veya değiştirirken sadece ürünle verilen vidaları kullanın. Vidaların sağlam şekilde sıkıldığından emin olun.


Aletinizde, bir DEWALT Bluetooth® Alet Etiketini takmak için montaj delikleri **16** ve bağlantı elemanları bulunur. Yalnızca alet etiketiyle birlikte gelen orijinal bağlantı elemanlarını kullanın. Etiket takmak için bir T15 (Torx) matkap ucuna ihtiyacınız vardır. DEWALT Alet Etiketi, DEWALT Tool Connect™ uygulamasını kullanarak profesyonel elektrikli el aletleri, ekipman ve makineleri izlemek ve bulmak için tasarlanmıştır. DEWALT Alet Etiketinin düzgün yerleştirilmesi için DEWALT Alet Etiketi kılavuzuna bakın.

Derinlik Ayarlama Kadranı (Şek. A)

Kesme derinliğini ayarlamak için, derinlik ayarlama kadrana **11** bastırın ve istediğiniz derinliğe çevirin. Derinlik ayarının, istenen kanal derinliğine ayarlandığından emin olun.

Aleti kullandıktan sonra daima "Park" konumuna (P) getirin.

MONTAJ VE AYARLAMALAR

-  **UYARI:** Ciddi yaralanma riskini azaltmak için herhangi bir ayar yapmadan ya da parça veya aksesuarları söküp takmadan önce aleti kapatın ve aküyü ayırın. Aletin yanlışlıkla çalıştırılması yaralanmaya neden olabilir.

-  **UYARI:** Yalnızca DEWALT akü ve şarj cihazlarını kullanın.

Alete Akü Takma Ve Çıkartma (Şek. B)

NOT: Akünün **9** tamamen şarj olduğundan emin olun.

Aküyü Aletin Koluna Takma

1. Aküyü **9** kolun içindeki raylarla hizalayın (Şek. B).
2. Aküyü, yerine oturduğunu duyan kadar ve alette tamamen oturana kadar kolun içine kaydırın.

Aküyü Aletten Çıkarma

1. Serbest bırakma düğmesine **10** basın ve aküyü sıkıca çekerek aletin kolundan çıkarın.
2. Aküyü bu kılavuzun şarj cihazı kısmında açıklandığı gibi şarj cihazına takın.


Akü Şarj Seviyesi Göstergesi (Şek. B)


Bazı DEWALT aküler, aküde kalan şarj seviyesini gösteren üç yeşil LED ışından oluşan bir şarj seviyesi göstergesini içerir.

Şarj seviyesi göstergesini çalıştırmak için gösterge düğmesine **19** basın ve basılı tutun. Üç yeşil LED ışığının bir kombinasyonu kalan şarj seviyesini gösterecek şekilde yanacaktır. Aküdeki şarj seviyesi kullanılabilir limitin altındayken, gösterge yanmaz ve akünün şarj edilmesi gerekir.

NOT: Bu gösterge sadece aküde kalan şarj seviyesini gösterir. Bu alet işlevini göstermez; ürün parçaları, sıcaklık ve son kullanıcı uygulamaya göre değişime tabidir.

Elmas Bıçakların Takılması (Şek. A, C, D)

-  **UYARI:** Ciddi yaralanma riskini azaltmak için herhangi bir ayar yapmadan ya da parça veya aksesuarları söküp takmadan önce aleti kapatın ve aküyü ayırın. Aletin yanlışlıkla çalıştırılması yaralanmaya neden olabilir.

-  **UYARI:** Yanma Tehlikesi. Keskin parçalar. Elmas diskleri değiştirirken DAİMA eldiven kullanın. Elmas disk keskin kenarlara sahiptir veya çalışma sırasında aşırı ısınabilir ve çıplak ellere zarar verebilir.

-  **UYARI:** Asla ikiden fazla elmas kesici takmayın.

-  **UYARI:** Tüm pulların takılması gerekir.

1. Üniteyi sağlam bir yüzeyde, mil **20** yukarı bakacak şekilde yerleştirin.

- Siper kilitleme kolunun **13** mandalını gevşetin ve siperi **12** açın.
- Düz destek flanşını **7** kalkık orta kısmı (pilot) yukarı gelecek şekilde mile **20** takın.
- Flanşı yerine oturuncaya kadar döndürerek doğru yerleştiğinden emin olun.
- Elmas disk **21** destek flanşının kalkık orta kısmı (pilot) ortalayacak şekilde destek flanşına doğru yerleştirin.
- Elmas bıçağın üzerindeki yön oklarının, siperin içine yerleştirilenlerle eşleştiğinden emin olun.
- İki elmas disk arasında istenen oluk genişliğini oluşturmak için, yükseltilmiş merkez (pilot) yukarı bakacak şekilde gerektiği kadar pul **17** ekleyin.
- İkinci elmas disk pul üzerine yerleştirin.
- Kalan tüm pulları takın.
- Mil kilit düğmesine **3** basarak ve altıgen baskılar elmas diskten uzağa bakacak şekilde dışı kilit flanşını **8** mil üzerinde tırnaklar mil üzerindeki iki yuvaya tam oturacak biçimde yerleştirin.
- Mil kilitleme düğmesine bastırırken dışı kilit flanşını bir altıgen anahtarla sıkın.
- Siper kilitleme kolunu sağlam şekilde sıkın.
- Elmas diskleri çıkartmak için, mil kilitleme düğmesine basın ve takılan kilitleme flanşını bir altıgen anahtarla gevşetin.

Çalıştırmadan Önce

- İç ve dış flanşın düzgün takıldığından emin olun.
- Elmas disklerin, aksesuar ve aletin üzerindeki okların yönünde döndüğünden emin olun.
- Hasarlı bir disk kullanmayın. Her kullanımdan önce, elmas diskleri yonga ve çatlaklar açısından kontrol edin. Elektrikli alet ya da elmas disk düşürülürse, hasar olup olmadığını kontrol edin ya da sağlam bir elmas disk takın. Bir elmas diskin incelenmesi ve monte edilmesinden sonra, kendinizi ve etraftaki insanları dönen elmas diskin hizasından uzakta tutun ve bir dakika boyunca elektrikli aleti boşta ve maksimum hızda çalıştırın.

KULLANMA

Kullanma Talimatları

- UYARI:** Güvenlik talimatlarına ve geçerli yönetmeliklere daima uyun.
- UYARI:** Ciddi yaralanma riskini azaltmak için herhangi bir ayar yapmadan ya da parça veya aksesuarları söküp takmadan önce aleti kapatın ve aküyü ayırın. Aletin yanlışlıkla çalıştırılması yaralanmaya neden olabilir.
- UYARI:**
 - Alete yalnızca hafif bir baskı uygulayın. Elmas diske yandan basınç uygulamayın.
 - Bu aleti kullanırken daima göz ve işitme korumasının yanı sıra normal iş eldivenleri gibi uygun güvenlik ekipmanları kullanın.
 - Kullanım esnasında dışı kutusu çok sıcak bir hale gelir.

- Daima siperi ve uygun elmas diskleri takın. Aşırı derecede aşınmış elmas diskleri kullanmayın.
- İç ve dış flanşın düzgün takıldığından emin olun.
- Elmas diskin, aksesuar ve aletin üzerindeki okların yönünde döndüğünden emin olun.
- Aşırı yüklemekten kaçının. Aletin ısınması durumunda elmas disklerin soğuması için yüksüz durumda birkaç dakika çalıştırın. Soğumadan elmas disklere dokunmayın. Kullanım esnasında elmas diskler çok ısınır.
- Elektrikli aleti kesim standı ile kullanmayın.
- Kurutma kağıtlarını kesinlikle elmas disklerle birlikte kullanmayın.
- Elmas disklerin alet kapatıldıktan sonra da dönmeye devam ettiğini unutmayın.

Uygun El Pozisyonu (Şek. E)



UYARI: Ciddi yaralanma riskini azaltmak için, **DAİMA** şekilde gösterilen uygun el pozisyonunu kullanın.



UYARI: Ciddi yaralanma riskini azaltmak için, ani tepki ihtimaline karşı aleti **DAİMA** sıkıca tutun.

Doğru el pozisyonu, bir el ana kol üzerinde **5**, diğer el yardımcı kol **6** üzerinde olacak şekildedir

Kablosuz Alet Kontrolü (Şek. A)



DİKKAT: Kanal açma aletiyle eşleştirilen cihazın tüm güvenlik uyarılarını, talimatlarını ve özelliklerini okuyun.

Kanal açma aletinizde, örneğin toz emici gibi başka bir Kablosuz Alet Kontrolü ile kablosuz olarak eşleştirilmesini sağlayan bir Kablosuz Alet Kontrolü vericisi mevcuttur.

Kanal açma aletinizi, Kablosuz Alet Kontrolünü kullanarak eşleştirmek için, kanal açma aletinizde yer alan tetik düğmesine **1** ve ayrı cihazdaki Kablosuz Alet Kontrolü eşleştirme düğmesine basılı tutun. Aynı cihazdaki bir LED, kanal açma aletinizin başarıyla eşleştirildiğini size bildirir.

Tetik Düğmesi ve Kilitleme Kolu (Şek. F)

- Aleti açmak için kilitleme kolunu **2** aletin arka kısmına doğru çekin ve ardından tetik düğmesine **1** basın. Alet, düğmeye basıldığı sürece çalışır.
- Tetik düğmesini serbest bırakarak aleti kapatın.



UYARI: Alet çalıştırılırken, kullanım sırasında ve elmas disklerin dönmesi durana dek aleti kontrol altında tutmak için yardımcı kol ve aletin gövdesini sıkıca tutun. Aleti yere bırakmadan önce elmas disklerin tam olarak durduğundan emin olun.



UYARI: Üzerinde işlem yapılacak yüzeye dokunmadan önce taşıma makinesinin tam hız çıkmasını bekleyin. Aleti kapatmadan önce işlem yapılan yüzeyden aleti kaldırın. tmadan önce işlem yapılan yüzeyden aleti çıkartın.

Mil Kilidi (Şek. G)

Mil kilidi düğmesi **3**, elmas diskleri takıp çıkarırken milin dönmesini engellemek için mevcuttur. Mil kilidini yalnızca alet

TÜRKÇE

kapalıyken, güç kaynağından ayırık durumdayken ve tamamen durduktan sonra kullanın.

İKAZ: Aletin hasar görmesini engellemek için alet çalışırken mil kilidini kullanmayın. Alet hasar görür ve takılı elmas diskler yerinden çıkarak yaralanmaya neden olabilir.

Kilidi **3** devreye almak için mil kilit düğmesine basın ve mili artık daha fazla döndüremeyecek duruma gelene dek döndürün.

Toz Emme (Şek. A, H)



UYARI: Toz soluma riski. Yaralanmaları azaltmak için, **HER ZAMAN** onaylı bir maske takın.



UYARI: Tehlikeli toz çıkartacak malzemeleri keserken **DAİMA** yürürlükte olan toz toplama yönergeleriyle uyumlu M sınıfı bir toz toplama sistemi kullanın.

Toz toplama portu **4** aleti, AirLock sistemi veya standart 35 mm toz toplama takımı kullanarak harici bir toz toplama düzeneğine bağlamanızı sağlar. Toz toplama portu, 180 derece ayarlanabilir özelliktedir.

AirLock konektörü **22** doğrudan DEWALT uyumlu aletlere ve toz toplama cihazlarına bağlanır.

1. AirLock konektörü üzerindeki kelepçenin açık kilit konumunda olduğundan emin olun. (Şek. H'ye bakın.) Kelepçe ve AirLock konektörü üzerindeki çentikleri **23** açık kilit ve kilit konumlarında gösterildiği gibi hizalayın.
2. AirLock konektörünü adaptör bağlantı noktasına ittirin.
3. Kelepçeyi kilitli konuma döndürün.

NOT: Kelepçe içindeki bilyeli rulmanlar yuvaya kilitlenir ve bağlantıyı emniyete alır. Elektrikli alet artık toz toplama cihazına sağlam bir şekilde bağlanmıştır.

Kişisel Güvenlik

1. Temizlik bitene kadar, boya zımparalamaveya tel fırçalama işlemi yapılan alana çocuk veya hamile kadın girmemelidir.
2. Çalışma alanına giren herkes bir toz maskesi veya solunum aygıtı kullanmalıdır. Filtre günlük olarak veya kullanıcı nefes almakta zorlandığında değiştirilmelidir.
NOT: Yalnızca kurşunlu boya tozu ve dumanına uygun toz maskeleri kullanılmalıdır. Sıradan boya maskeleri bu korumayı sağlamaz. Uygun Nonaylı toz maskesi için yerel hırdavat bayisine bakın.
3. Zehirli boya parçacıklarının yutulmasını önlemek için çalışma alanında YEMEYİN, İÇMEYİN veya SİGARA İÇMEYİN. Çalışanlar yemeden, içmeden veya sigara içmeden ÖNCE yıkanıp temizlenmelidir. Üzerlerine toz yerleşebileceği için çalışma alanında yiyecek, içecek veya sigara bırakılmamalıdır.

Temizlik ve Atma

1. Plastik örtüler diğer toz, yonga ve atıklarla birlikte toplanmalı ve atılmalıdır. Ağız kapalı çöp torbalarına koyularak normal çöp atma işlemleri dahilinde atılmalıdır. Temizlik sırasında, çocuklar ve hamile kadınlar çalışma alanından uzak tutulmalıdır.
2. Çocuklar tarafından kullanılan tüm oyuncak, yıkanabilir mobilyalar ve kap kacak tekrar kullanılmadan önce iyice yıkanmalıdır.

Kılavuz açma

1. Daima toz emici donanım kullanın.
2. Doğru derinlik ve genişliği ayarlayın.
3. Siperin açık alt tarafı sizden uzağa bakacak şekilde durun.
4. Siperin tabanının verimli toz toplama sağlamak için yüzeye daima düz olduğundan emin olun.
5. Üzerinde işlem yapılacak yüzeye dokunmadan önce taşlama makinesinin tam hıza çıkmasını bekleyin.
6. Aletin yüksek hızda çalışmasını sağlamak için çalışma yüzeyine minimum basınç uygulayın. Alet yüksek hızda çalışırken kesme hızı en yüksek seviyededir.
7. Dikey eğimli yüzeylerde kullanırken daima üst kısımdan başlayın ve ayak kısmında belirtilen yön oklarını takip ederek aleti aşağı çekin.
8. Bir kesme işlemi başlayıp çalışma parçasında çentik oluştuğunda kesimin açısını değiştirmeyin. Açının değiştirilmesi elmas disklerin bükülmesine ve kırılmasına neden olacaktır. Elmas diskler bükülme sonucu oluşacak yan baskılara dayanacak şekilde tasarlanmamıştır.
9. Önceden ayarlanmış kesici derinliğine ulaşılan kadar yavaşça basınç uygulamaya devam edin.
10. Aleti kapatmadan önce işlem yapılan yüzeyden aleti çıkartın. Aleti yere koymadan önce dönmесinin durmasını bekleyin.

Çalışma Önerileri

Yapısal duvarlarda slot kesimi yaparken dikkatli olun.

Yapısal duvarlardaki slotlar ülkelere özel düzenlemelere tabidir. Tüm işlemlerde bu düzenlemelere uyulması gerekmektedir. Çalışmaya başlamadan önce sorumlu yapı mühendisine, mimara veya inşaat şefine danışın.

BAKIM

Elektrikli aletiniz minimum bakımla uzun bir süre çalışacak şekilde tasarlanmıştır. Kesintisiz olarak memnuniyet verici bir şekilde çalışması gerekli özenin gösterilmesine ve düzenli temizliğe bağlıdır.



UYARI: Ciddi yaralanma riskini azaltmak için herhangi bir ayar yapmadan ya da parça veya aksesuarları söküp takmadan önce aleti kapatın ve aküyü ayırın. Aletin yanlışlıkla çalıştırılması yaralanmaya neden olabilir.

Şarj cihazı ve akü bakım gerektirmezler.



Yağlama

Elektrikli aletiniz ek bir yağlama gerektirmemektedir.



Temizleme



UYARI: Havalandırma deliklerinde ve etrafında toz toplanması halinde bu tozu ve kiri kuru hava kullanarak ana gövdeden uzaklaştırın. Bu işlemi gerçekleştirirken onaylı bir göz koruması ve onaylı toz maskesi takın.



UYARI: Aletin metalik olmayan parçalarını temizlemek için asla çözücü veya başka sert kimyasal kullanmayın. Bu kimyasallar bu parçalarda kullanılan malzemeleri güçsüzleştirir. Yalnızca su ve yumuşak sabunla nemiendirilmiş bir bez kullanın. Aletin içine herhangi bir sıvının girmesine izin vermeyin; aletin herhangi bir parçasını bir sıvı içine daldırmayın.

İlave Aksesuarlar



UYARI: DEWALT tarafından tedarik veya tavsiye edilenlerin dışındaki aksesuarlar bu ürün üzerinde test edilmediğinden, söz konusu aksesuarların bu aletle birlikte kullanılması tehlikeli olabilir. Yaralanma riskini azaltmak için bu ürünle birlikte sadece DEWALT tarafından tavsiye edilen aksesuarlar kullanılmalıdır.

Uygun aksesuarlarla ilgili daha fazla bilgi almak için satış noktalarıyla görüşün.

Çevrenin Korunması



Ayrı toplama. Bu işaretlenmiş simgeyle ürün ve piller normal evsel atıklarla birlikte çöpe atılmamalıdır.

Bazı malzemeleri içeren ürün ve piller geri

dönüştürülebilir veya geri kazanılabilir, bu da bazı hammaddeler için talebi azaltabilir. Lütfen elektrikli ürünleri ve pilleri yerel yasal mevzuata uygun şekilde geri dönüşüme tabi tutun. Daha ayrıntılı bilgiler www.2helpU.com adresinde mevcuttur.

Şarj Edilebilir Aküler

Bu uzun ömürlü akü, daha önce kolayca yapılan işlerde yeterince güç üretemeyecek duruma geldiğinde şarj edilmelidir. Teknik ömürlerinin sonunda, aküleri çevremize gerekli özeni göstererek atın:

- Aküyü bitene kadar aleti çalıştırın, sonra aletten çıkartın.
- Lityum İyon hücreler geri dönüştürülebilir. Bunları yetkili servise veya yerel toplama merkezine teslim edin. Toplanan aküler geri dönüştürülecek veya uygun şekilde atılacaktır.

Sanayi ve Ticaret Bakanlığı tebliğince kullanım ömrü 7 yıldır.

Türkiye Distribütörü

Stanley Black & Decker Turkey Alet Üretim San. Tic. Ltd.Şti.

AND Kozyatağı - İçerenköy Mah. Umut Sok. AND Ofis Sit. No: 10-12 / 82-83-84

Ataşehir/İstanbul, Türkiye

Tel: +90 216 665 2900

Faks: +90 216 665 2901

www.dewalt.com.tr

info-tr@sbdinc.com

DEWALT GARANTİ BELGESİ

İTHALATÇI FIRMA

Ünvanı : STANLEY BLACK&DECKER TÜRKYE ALET ÜRETİM SAN. TİC. LTD.ŞTİ.
Adresi : AND Kozyatağı - İçerenköy Mah. Umut Sok. AND Ofis Sit. No: 10-12 / 82-83-84
 Atasehir/Istanbul, TURKEY
Telefon No. : 0216 665 29 00
Faks No. : 0216 665 29 01
E-mail : info-tr@sbdinc.com

ÜRÜNÜN

Cinsi :
Markası : **DEWALT**
Modeli :
Seri Numarası :
Garanti Süresi : 2 YIL
Azami Tamir Süresi : 20 İŞ GÜNÜ

SATICI FİRMANIN

Ünvanı :
Adresi :
Telefon No. :
Faks No. :
Fatura Tarih ve No. :
Ürün Teslim Tarihi :
Ürün Teslim Yeri :
Belgeyi Dolduranın Adı Soyadı :

Kaşe - Yetkili İmza

GARANTİ ŞARTLARI

- Garanti süresi, malın teslim tarihinden itibaren başlar ve 2 yıldır.
- Malın bütün parçaları dahil olmak üzere tamamı firmamızın garantisine kapsamındadır.
- Malın ayıplı olduğunun anlaşılması durumunda tüketici, 6502 sayılı Tüketici Korunması Hakkında Kanununun 11 inci maddesinde yer alan;
 - Sözleşmeden dönme,
 - Satış bedelinden indirim isteme
 - Ücretsiz onarılmasını isteme
 - Satılanın ayıpsız bir misli ile değiştirilmesini isteme,
 haklarından birini kullanabilir.
- Tüketicinin bu haklardan ücretsiz onarım hakkını seçmesi durumunda satıcı; işçilik masrafı, değiştirilen parça bedeli ya da başka herhangi bir ad altında hiçbir ücret talep etmeksizin malın onarımını yapmak veya yaptırmakla yükümlüdür. Tüketici ücretsiz onarım hakkını üretici veya ithalatçıya karşı da kullanabilir.
- Satıcı, üretici ve ithalatçı tüketicinin bu hakkını kullanmasından müteselsilen sorumludur.
- Tüketicinin, ücretsiz onarım hakkını kullanması halinde malın;
 - Garanti süresi içinde tekrar arızalanması,
 - Tamiri için gereken azami sürenin aşılması,
 - Tamirinin mümkün olmadığını, yetkili servis istasyonu, satıcı, üretici veya ithalatçı tarafından bir raporla belirlenmesi
 durumlarında; tüketici malın bedel iadesini, ayıp oranında bedel indirimini veya imkan varsa malın ayıpsız misli ile değiştirilmesini satıcıdan talep edebilir.
- Satıcı, tüketicinin talebini reddedemez. Bu talebin yerine getirilmemesi durumunda satıcı, üretici ve ithalatçı müteselsilen sorumludur.
- Malın tamir süresi 20 iş gününü geçemez. Bu süre, garanti süresi içerisinde mala ilişkin arızanın yetkili servis istasyonuna veya satıcıya bildirim tarihinde, garanti süresi dışında ise malın yetkili servis istasyonuna teslim tarihinden itibaren başlar. Malın arızasının 10 iş günü içerisinde giderilmemesi halinde, üretici veya ithalatçı; malın tamiri tamamlanuncaya kadar, benzer özelliklere sahip başka bir malı tüketicinin kullanımına tahsis etmek zorundadır. Malın garanti süresi içerisinde arızalanması durumunda, tamirde geçen süre garanti süresine eklenir.
- Malın kullanma kılavuzunda yer alan hususlara aykırı kullanılmasından kaynaklanan arızalar garanti kapsamı dışındadır.
 - Garanti kapsam şartları ;
 - Ürün hatalı kullanılmamıştır.
 - Ürün yıpranmamış, hırpalanmamış ve aşınmamıştır.
 - Yetkili olmayan kişilerce tamire çalışmamıştır.
 - Satın alma belgesi (fatura) ibraz edilmiştir.
 - Ürün, tüm orijinal parçaları ile iade edilmiştir.
- Tüketici, garantiden doğan haklarının kullanılmasında ilgili olarak çıkabilecek uyuşmazlıklarda yerleşim yerinin bulunduğu veya tüketici işleminin yapıldığı yerdeki Tüketici Hakem Heyetine veya Tüketici Mahkemesine başvurabilir.
- Satıcı tarafından bu Garanti Belgesinin verilmesi durumunda, tüketici Gümrük ve Ticaret Bakanlığı Tüketicinin Korunması ve Piyasa Gözetimi Genel Müdürlüğüne başvurabilir.

EEE Yönetmeliğine uygundur.

CE

KULLANMA KILAVUZU İÇİN EK BİLGİLER

-Taşıma ve nakliye sırasında dikkat edilecek hususlar;
Cihazı taşıma ve nakliye esnasında hasar verecek şekilde taşınmamalı, bir yerden bir yere fırlatılmamalı, istifleme yapılırken dikkat edilmeli.

-Gümrük ve Ticaret Bakanlığı uyarınca belirlenen kullanım ömürleri aşağıdaki gibidir;

Testere Makineleri	7 yıl
Polisaj Makineleri	7 yıl
Matkaplar	7 yıl
Vidalama Makineleri	7 yıl
Zımpara Makineleri	7 yıl

-Malın ayıplı olduğunun anlaşılması durumunda tüketici, 6502 sayılı Tüketici Korunması Hakkında Kanununun 11 inci maddesinde yer alan;

a- Sözleşmeden dönme,

b-Satış bedelinden indirim isteme

c-Ücretsiz onarılmasını isteme

d-Satılanın ayıpsız bir misli ile değiştirilmesini isteme,

haklarından birini kullanabilir.

-Tüketici, garantiden doğan haklarının kullanılması ile ilgili olarak çıkabilecek uyuşmazlıklarda yerleşim yerinin bulunduğu veya tüketici işleminin yapıldığı yerdeki Tüketici Hakem Heyetine veya Tüketici Mahkemesine başvurabilir.

ШТРОБОРІЗ

DCG200

Вітаємо вас!

Ви обрали інструмент виробництва компанії DeWALT. Ретельна розробка продукції, багаторічний досвід фірми у виробництві інструментів, різні вдосконалення, все це зробило інструменти DeWALT є одними із найнадійніших помічників для тих, хто використовує електричні інструменти у своїй професії.

Технічні дані

		DCG200
Напруга	V_{DC}	54
Тип		1
Тип акумулятора		Літій-іонний
Частота обертання в режимі холостого ходу/ номінальна	об./хв.	9000
Діаметр алмазного диска	мм	125
Товщина алмазного диска (макс.)	мм	3
Діаметр отвору алмазного диска	мм	22,23
Глибина різання (макс.)	мм	32
Ширина канавки (макс.)	мм	35
Діаметр шпинделя		M14
Маса (без акумулятора)	кг	3,7

Значення рівня шуму та вібрації (триаксимальна векторна сума) відповідно до стандарту EN60745-2-2:

L_{pa} (рівень тиску звукового випромінювання)	дБ(A)	102
L_{WA} (рівень акустичної потужності)	дБ(A)	113
K (похибка для даного рівня звуку)	дБ(A)	3

Значення вібрації $ah =$	m/c^2	4,7
Похибка K =	m/c^2	1,5

Значення вібрації та/або шуму, наведене в цьому документі, було виміряне згідно зі стандартизованим тестом, викладеним в EN60745 та може використовуватись для порівняння інструментів. Це значення вібрації можна також використовувати для попередньої оцінки впливу вібрації.

⚠ ОБЕРЕЖНО: Заявлене значення вібрації та/або шуму відповідає вимогам цільового використання інструмента. Однак якщо інструмент використовується для виконання інших завдань, або з іншими витратними матеріалами/насадками, або не обслуговується належним чином, значення вібрації та/або шуму може відхилитися. Це може значно збільшити рівень впливу протягом усього періоду роботи.

Оцінка рівня впливу вібрації та/або шуму має враховувати час, протягом якого інструмент є вимкненим, а також час, протягом якого він є ввімкненим, але не використовується. Це може

значно зменшити рівень впливу протягом усього періоду роботи.

Визначення додаткових заходів безпеки для захисту оператора від впливу вібрації та/або шуму: технічне обслуговування інструмента та приладдя, утримання рук у теплі (має значення для вібрації), організація режиму роботи.

Декларація про відповідність ЄС ДИРЕКТИВА ДЛЯ МЕХАНІЧНОГО ОБЛАДНАННЯ



Штроборіз DCG200

DeWALT заявляє, що описані в розділі **Технічні дані** пристрої відповідають стандартам:

2006/42/EC, EN60745-1:2009+A11:2010, EN60745-2-22:2011+A11:2013.

Ці продукти також відповідають вимогам Директив 2014/30/EU та 2011/65/EU. Для отримання додаткової інформації звертайтеся до компанії DeWALT за адресою, зазначеною нижче або наприкінці цього керівництва.

Нижчепідписаний несе відповідальність за упорядкування файлу технічних характеристик та робить цю заяву від імені компанії DeWALT.

Маркус Ромпель

Віце-президент з машинобудування, PTE-Europe
DeWALT, Richard-Klinger-Straße 11,
D-65510, Ідштайн, Німеччина
20.12.2018



ПОПЕРЕДЖЕННЯ: Уважно прочитайте керівництво з експлуатації для зниження ризику отримання травм.

Позначення: інструкції з техніки безпеки

Умовні позначення, наведені нижче, описують рівень важливості кожної попереджувальної вказівки. Прочитайте керівництво з експлуатації та зверніть увагу на символи, наведені нижче.



НЕБЕЗПЕЧНО: Указує на безпосередню загрозу, яка, якщо її не уникнути, призведе до смерті або серйозної травми.



ПОПЕРЕДЖЕННЯ: Вказує на потенційну загрозу, ігнорування якої може призвести до смерті або серйозної травми.

Батареї				Зарядні пристрої/час зарядки (у хвиликах)							
Кат. №	V _{вс}	Ah	Маса (kg)	DCB104	DCB107	DCB112	DCB113	DCB115	DCB118	DCB132	DCB119
DCB546	18/54	6.0/2.0	1.05	60	270	170	140	90	60	90	X
DCB547	18/54	9.0/3.0	1.46	75*	420	270	220	135*	75*	135*	X
DCB548	18/54	12.0/4.0	1.44	120	540	350	300	180	120	180	X
DCB181	18	1.5	0.35	22	70	45	35	22	22	22	45
DCB182	18	4.0	0.61	60/40**	185	120	100	60	60/40**	60	120
DCB183/B	18	2.0	0.40	30	90	60	50	30	30	30	60
DCB184/B	18	5.0	0.62	75/50**	240	150	120	75	75/50**	75	150
DCB185	18	1.3	0.35	22	60	40	30	22	22	22	X
DCB187	18	3.0	0.54	45	140	90	70	45	45	45	90
DCB189	18	4.0	0.54	60	185	120	100	60	60	60	120

*Код дати 201811475В або пізніше

**Код дати 201536 або пізніше



УВАГА: Вказує на потенційну загрозу, ігнорування якої може призвести до травми легкої або середньої тяжкості.

ПРИМІТКА: Вказує на ситуацію, не пов'язану з особою травмою, ігнорування цієї ситуації може призвести до пошкодження майна.



Вказує на ризик ураження електричним струмом.



Вказує на ризик виникнення пожежі.

ЗАГАЛЬНІ ПРАВИЛА БЕЗПЕКИ ПРИ ЕКСПЛУАТАЦІЇ ЕЛЕКТРИЧНОГО ІНСТРУМЕНТА



ПОПЕРЕДЖЕННЯ: Ознайомтеся з усіма попередженнями, інструкціями з техніки безпеки, зображеннями та специфікаціями, які поставляються з даним електричним інструментом. Невиконання нижченаведених інструкцій може призвести до ураження електричним струмом, пожежі та/або серйозних тілесних ушкоджень.

ЗБЕРІГАЙТЕ ВСІ ПОПЕРЕДЖЕННЯ ТА ІНСТРУКЦІЇ ДЛЯ ПОДАЛЬШОГО ВИКОРИСТАННЯ.

Термін «електричний інструмент» в усіх попередженнях стосується використовуваних вами інструментів, що живляться від мережі енергопостачання (з електричним кабелем) або від акумуляторів (без кабелю).

1) Безпека робочої зони

- Робоча зона завжди має бути чистою та добре освітленою. Захаращена або темна робоча зона призводить до нещасних випадків.
- Не використовуйте електричні інструменти у вибухонебезпечній атмосфері, наприклад поруч із вогнебезпечними рідинами, газами та пилом. Електричні інструменти створюють іскри, що можуть запалити пил або парю.

- Тримайте дітей та сторонніх подалі під час використання інструмента. Відвернення уваги може призвести до втрати контролю.

2) Електрична безпека

- Вилка електричного інструмента повинна відповідати розетці. Ніколи жодним чином не змінюйте вилку. Не використовуйте адаптери з замкнутими на землю (заземленими) електричними інструментами. Немодифіковані вилки та розетки, що підходять до них, зменшують ризик ураження електричним струмом.
- Уникайте контакту тіла з заземленими поверхнями, такими як труби, радіатори, плити та холодильники. Якщо ваше тіло заземлене, збільшується ризик ураження електричним струмом.
- Не залишайте електричні інструменти під дощем або в умовах підвищеної вологості. Вода, що потрапляє в електричний інструмент, підвищує ризик ураження електричним струмом.
- Не використовуйте кабель живлення не за призначенням. Ніколи не переносьте, не тягніть та не відключайте електричний інструмент від розетки живлення за допомогою шнура. Тримайте шнур подалі від високих температур, мастила, гострих предметів та рухомих деталей. Пошкоджені або перекручені шнури підвищують ризик ураження електричним струмом.
- При використанні електричного інструмента на вулиці, використовуйте подовжувальний шнур, що підходить для використання на вулиці. Використання шнура, що призначений для використання поза приміщенням, знижує ризик ураження електричним струмом.
- Якщо неможливо уникнути використання електричного інструмента в умовах підвищеної вологості, використовуйте живлення, захищене пристроєм залишкового струму (RCD). Використання RCD знижує ризик ураження електричним струмом.

3) Особиста безпека

- a) **Будьте в стані готовності, дивіться, що ви робите, та будьте розсудливі, працюючи з електричним інструментом. Не використовуйте електричний інструмент, коли ви втомлені або знаходитесь під впливом наркотичних речовин, алкоголю або ліків.** Втрата уваги під час роботи з електричним інструментами може призвести до серйозних травм.
- b) **Використовуйте особисті засоби безпеки. Завжди використовуйте засоби захисту очей.** Засоби безпеки, такі як протипилова маска, неслизькі безпечні черевки, захисний шолом та засоби захисту слухового апарату при використанні для відповідних умов зменшують імовірність особистих травм.
- c) **Уникайте випадкового запуску. Переконайтесь в тому, що вимикач знаходиться в позиції Вимк., перш ніж підключати інструмент до джерела живлення та/або акумулятора, переміщувати або переносити.** Може статися нещасний випадок, коли ви переносите інструмент, тримаючи палець на вимикачі, або підключаєте живлення до вимикача в позиції Увімк.
- d) **Зніміть усі ключі для регулювання або гайкові ключі, перш ніж вмикати електричний інструмент.** Гайковий ключ, що залишився прикріпленим до якоїсь деталі електричного пристрою, що обертається, може призвести до травм.
- e) **Не прикладайте надмірного зусилля. Завжди утримуйте правильну постановку ніг і рівновагу.** Це дає вам змогу краще контролювати інструмент в неочікуваних ситуаціях.
- f) **Одягайтеся відповідним чином. Не вдягайте вільний одяг або прикраси. Тримайте ваше волосся та одяг подалі від рухомих деталей.** Вільний одяг, прикраси або довге волосся можуть зачепитися за рухомі деталі.
- g) **Якщо передбачені пристрої для підключення до засобів виділення та збирання пилу, переконайтесь, що вони правильно підключені та використовуються.** Використання таких пристроїв зменшує ризик виникнення небезпечних ситуацій, що пов'язані з потраплянням пилу.
- h) **Навіть якщо ви добре знаєте інструмент та часто його використовуєте, не розслабляйтесь та не забувайте про принципи техніки безпеки.** Необережні дії можуть за долю секунди призвести до важких тілесних ушкоджень.

4) Використання електричного інструмента та догляд за ним

- a) **Не прикладайте надмірних зусиль під час роботи з інструментом. Використовуйте електричний інструмент, який відповідає завданню, що виконується.** Правильно обраний

інструмент виконає завдання краще та безпечніше за умов, для яких він був розроблений.

- b) **Не використовуйте інструмент, якщо його неможливо ввімкнути та вимкнути за допомогою вимикача.** Будь-який електричний інструмент, яким неможливо керувати за допомогою вимикача, є небезпечним і має бути відремонтований.
 - c) **Якщо вилка знімна, відключіть її від джерела живлення та/або вийміть акумулятор, перш ніж виконувати будь-які налаштування, змінювати додаткове обладнання або зберігати інструмент.** Ці профілактичні заходи зменшують ризик випадкового запуску електричного інструмента.
 - d) **Зберігайте вимкнені електричні інструменти в недоступному для дітей місці та не дозволяйте особам, що не знайомі з електричним інструментом або цими інструкціями, використовувати електричний інструмент.** Електричні інструменти є небезпечними, якщо вони використовуються некваліфікованими користувачами.
 - e) **Технічне обслуговування електричних інструментів та приладдя. Перевіряйте неспіввідповідність, заїдання рухомих деталей, наявність пошкоджених частин та інших факторів, які можуть впливати на роботу електричного інструмента.** Якщо є пошкодження, відремонтуйте електричний інструмент перед використанням. Нещасні випадки часто є результатом того, що інструмент не пройшов відповідного технічного обслуговування.
 - f) **Різальні інструменти мають бути гострими та чистими.** Правильно доглянуті різальні інструменти з гострими різальними кромками мають меншу імовірність заїдання, та ними легше керувати.
 - g) **Використовуйте електричний інструмент, додаткові інструменти та деталі інструменту тощо у відповідності до цих інструкцій та відповідно до даного типу електричних інструментів, зважаючи на умови використання та роботу, яка має бути виконана.** Використання електричних інструментів не за призначенням може призвести до виникнення небезпечних ситуацій.
 - h) **Всі ручки та поверхні для тримання інструмента мають бути сухими, без залишків мастила.** Слизькі ручки та поверхні для тримання не дозволяють безпечно працювати та контролювати інструмент у неочікуваних ситуаціях.
- ### 5) Використання та догляд за інструментом, що живиться від акумулятора
- a) **Заряджайте інструмент лише за допомогою зарядного пристрою, вказаного виробником.** Зарядний пристрій, що підходить до одного типу

акумуляторів, може призвести до пожежі в разі використання з іншим акумулятором.

- b) **Використовуйте електричні інструменти лише з призначеними для них акумуляторами.** Використання інших акумуляторів може призвести до травм або пожежі.
- c) **Коли акумулятори не використовуються, зберігайте їх подалі від металевих предметів, як скріпки, монети, ключі, цвяхи, гвинти або інші невеликі предмети, що можуть призвести до замикання двох контактів.** Коротке замикання клем акумулятора може призвести до вибуху або пожежі.
- d) **За невідповідних умов використання рідина може витекти з акумулятора; уникайте контакту з цією рідиною.** Якщо контакт таки стався, промийте забруднену ділянку водою. Якщо рідина потрапила в очі, промийте водою та зверніться до лікаря. Рідина, що витікає з акумулятора, може призвести до подразненя та опіків.
- e) **Не використовуйте пошкоджені або модифікований акумулятор або інструмент.** Пошкоджені або модифіковані акумулятори можуть поводити себе непередбачуваним чином, призводячи до пожежі, вибуху або тілесним ушкодженням.
- f) **Не надавайте акумулятор та інструмент дії вогню та надмірних температур.** Дія вогню або температури вище 130 °C може спричинити вибух.
- g) **Виконуйте всі інструкції щодо зарядки; заряджайте акумулятор та інструмент тільки в межах температурного діапазону, вказаного в інструкціях.** Неналежна зарядка або зарядка поза межами вказаного температурного діапазону може пошкодити акумулятор та підвищити ризик пожежі.

6) Обслуговування

- a) **Надавайте ваш електричний інструмент для обслуговування кваліфікованим спеціалістом з ремонту та використовуйте тільки ідентичні замінні деталі.** Це забезпечить безпеку електричного пристрою.
- b) **Ніколи не обслуговуйте пошкоджені акумулятори самостійно.** Обслуговування акумуляторів мають виконувати представники виробника або працівники офіційного сервісного центру.

Додаткові інструкції з техніки безпеки для відрізних машин

- a) **Захисний кожух, що надається з інструментом, необхідно надійно прикріпити до електричного інструменту та розмістити для максимальної безпеки так, щоб якомога менша частина диска була відкрита в напрямку оператора. Ви самі та сторонні люди мають знаходитися подалі від площини обертання дисків.** Захисний кожух

допомагає захистити оператора від уламків диска та випадкового контакту з диском.

- b) **Використовуйте для свого електроінструменту лише алмазні леза.** Навіть якщо до вашого електричного інструменту можна приєднати те чи інше приладдя, безпечна експлуатація інструменту з таким приладдям не є гарантованою.
- c) **Номинальна швидкість приладдя має щонайменше дорівнювати максимальній швидкості, вказаній на електричному інструменті.** Приладдя, що працює зі швидкістю вище номінальної, може ламатися та розлітатися на частини.
- d) **Диски можна використовувати лише для рекомендованих видів діяльності.** Наприклад, не проводьте шліфування боковою стороною різального диска. Абразивні ріжучі диски призначені для шліфування периферійних ділянок, при цьому бокове навантаження, застосоване до цих дисків, може призвести до їх розштовування.
- e) **Завжди використовуйте неушкоджені фланці диску правильною діаметром для обраного вами диска.** Відповідні фланці підтримують диск, зменшуючи можливість його поломки
- f) **Зовнішній діаметр та товщина вашого приладдя не мають виходити за рамки характеристик потужності цього електричного інструменту.** Неправильно підібране приладдя неможливо належним чином захистити або контролювати.
- g) **Розмір оправки дисків та фланців має відповідати шпindelю електричного інструменту.** Диски й фланці з отворами в оправці, які не відповідають елементам кріплення електричного інструменту можуть втрачати баланс, надмірно вібрувати та призводити до втрати контролю.
- h) **Не використовуйте пошкоджені диски.** Перед кожним використанням перевіряйте диски на наявність полумок та тріщин. Якщо електричний інструмент або диск падав, необхідно оглянути його на пошкодження та встановити непошкоджений диск. Після огляду й установки диска розташуйте себе та сторонніх людей подалі від площини обертання диска та увімкніть електричний інструмент з максимальною швидкістю без навантаження на одну хвилину. Пошкоджені диски завчасай розлітаються на частини під час цього випробування.
- i) **Використовуйте засоби індивідуального захисту.** Залежно від виду діяльності використовуйте захисну маску або закриті чи відкриті захисні окуляри. За необхідності використовуйте пілозахисну маску, засоби захисту органів слуху, рукавички та фартух,

здатні затримувати дрібні абразивні частки або фрагменти заготовок. Захисні окуляри

захистять вас від частинок, що здатні розлітатись під час певних видів робіт. Пилозахисна маска або респіратор мають бути здатні фільтрувати частки, що утворюються в процесі роботи. Тривала дія шуму високої інтенсивності може привести до втрати слуху.

- j) **Сторонні особи мають перебувати подалі від робочої зони. Всі, хто входить в робочу зону, повинні мати засоби індивідуального захисту.** Фрагменти заготовки або уламки диска можуть відлетіти та призвести до травми, навіть поза зоною роботи.
- k) **Тримайте електричний інструмент лише за ізольовані поверхні для зчеплення при виконанні операцій, під час яких ріжуче приладдя може стикатися з прихованою проводкою.** Дотик ріжучого приладдя до дроту, що знаходиться під напругою, може викликати виникнення електричного струму в відкритих металевих частинах електричного інструменту й призвести до ураження оператора електричним струмом.
- l) **В жодному разі не кладіть інструмент, доки всі його деталі повністю не зупиняться.** Диск, що обертається, може зачепити поверхню та потягнути електричний інструмент з рук.
- m) **Не тримайте ввімкнений інструмент біля власного тіла.** За випадкового контакту приладдя, що обертається, може зачепити одяг, потягнувши інструмент до вашого тіла.
- n) **Регулярно очищуйте вентиляційні отвори електричного інструменту.** Вентилятор двигуна затягує пил всередину корпусу, і надмірна кількість металевих частинок може створити ризик ураження електричним струмом.
- o) **Не використовуйте електричний інструмент поблизу легкозаймистих матеріалів.** Іскри можуть запалити ці матеріали.

Віддача та відповідні попередження

Віддача — це раптова реакція на заїдання або затискання диска, що обертається. Заїдання або затискання призводить до швидкої зупинки диска, що обертається, внаслідок чого неконтрольований електричний інструмент рухається в напрямку, протилежному до обертання диска в місці зчеплення.

Наприклад, якщо абразивне лезо заїло або затиснуло, то край диска, який знаходиться в точці затискання, може потрапити під поверхню матеріалу, що призведе до його вильоту або викидання. При цьому диск відскочить від оператора або на оператора, в залежності від напрямку руху диска в точці заїдання. Абразивні леза також можуть зламатися за цих умов.

Віддача є результатом неврного використання інструменту та/або невірних способів або умов

експлуатації; її можна уникнути, якщо вжити відповідні заходи, наведені нижче.

- a) **Добре тримайте інструмент та розташуйте своє тіло та руки так, щоб можна було протистояти віддачі. Завжди використовуйте додаткову ручку, якщо вона є, для максимального контролю віддачі або реактивного крутного моменту при запуску.** Оператор може контролювати реактивний крутний момент або силу віддачі, якщо вжити відповідні заходи.
- b) **Ніколи не наближайте руку до приладдя під час обертання.** Може виникнути віддача приладдя через руку.
- c) **Не розташуйте своє тіло в одну лінію з диском, що обертається.** Віддача призведе до руху інструменту в напрямку, протилежному руху диска в точці заїдання.
- d) **Будьте особливо уважні при обробці кутів, гострих країв тощо. Уникайте відстрибування та заїдання приладдя.** Куті, гострі краї або відстрибування можуть призвести до затиснення насадки та викликати втрату контролю або віддачу.
- e) **Не прикріплюйте пильний ланцюг, пильне полотно для різьблення по дереву, сегментний алмазний диск з периферійним зазором більше 10 мм або пильне полотно з зубцями.** Такі пильні полотна призводять до частих віддач та втрати контролю.
- f) **Не «затискайте» диск та не застосовуйте надмірний тиск до інструменту. Не намагайтесь створювати надглибокі розрізи.** Надмірний тиск на диск збільшує навантаження й чутливість до заїдання або деформації диска в розрізі та можливість віддачі або поломки диска.
- g) **Якщо диск заїдає або якщо виконання розрізу припинено з будь-якої причини, вимкніть інструмент та утримуйте його нерухомим, доки диск повністю не зупиниться. Ніколи не намагайтесь витягувати диск з розрізу, коли він рухається, інакше може виникнути віддача.** Проведіть перевірку й прийміть міри з усунення причини зчеплення диска.
- h) **Не поновлюйте операцію різання заготовки. Дайте диску досягти повної швидкості та обережно вставте його в розпочатий розріз.** Диск може бути затиснений або піднятися в разі поновлення роботи інструмента.
- i) **Опорні пластини або заготовки великого розміру можуть допомогти звести до мінімуму ризик заїдання диска та віддачі.** Великі заготовки мають тенденцію провисати під власною вагою. Опори необхідно розташувати під заготовкою біля лінії розрізу та біля краю заготовки з обох боків диска.

- j) **Будьте особливо уважні під час виконання «врізання» в стіни або інші місця, де не видно, що знаходиться під поверхнею.** Диск, що виступає, може розрізати газову або водяну трубу, електричні кабелі або інші предмети, що може спричинити віддачу.

Додаткова інформація з техніки безпеки

- **Не рекомендується використання насадок, не вказаних у цьому посібнику; це може бути небезпечним.** Використання підсилювачів потужності, що можуть збільшити швидкість пристрою, яка буде перевищувати номінальну швидкість, вважається неналежним використанням.
- **Не використовуйте полотна для дискових пилок з цим інструментом.** Це може призвести до серйозних травм.
- **Уникайте відскоку диска й грубого поводження з ним.** Якщо це сталося, зупиніть інструмент і перевірте диск на наявність тріщин або дефектів.
- **Направляйте іскри подалі від оператора, сторонніх осіб або легкозаймистих матеріалів.** Іскри можуть утворитися при використанні піскоструминної машини, шліфувальної машини або штроборізу. Іскри можуть спричинити опіки або пожежу.
- **Завжди використовуйте передню ручку.** Для забезпечення повного контролю над інструментом під час роботи завжди потрібно використовувати передню ручку.
- **Ніколи не ріжте в місцях, де можуть знаходитись електричні кабелі або труби.** Це може призвести до серйозних травм.
- **Часто очищуйте свій інструмент, особливо піля інтенсивного використання.** Пил і піщинки, що містять металеві частинки, часто скупчуються на внутрішніх поверхнях і можуть створювати ризик ураження електричним струмом.
- **Не використовуйте інструмент протягом тривалого часу поспіль. Вібрація, спричинена інструментом, може бути шкідливою для ваших рук.** Використовуйте рукавички, щоб створити додаткову амортизацію, і обмежуйте вплив, регулярно роблячи перерви в роботі.
- Під час роботи можуть виникати пил, кристалічні речовини, пара та дим. Завжди використовуйте пилозахисну маску або інші засоби захисту дихальних шляхів. Небезпека для здоров'я!
- Ніколи не встановлюйте більше двох алмазних лез.
- Використовуйте лише відрізи диски з алмазним покриттям. Сегментні алмазні диски можуть мати лише негативні кути різання і пази між сегментами максимум до 10 мм.

Тип акумулятора

Пристрій DCG200 працює від акумулятора потужністю 54 вольт.

Для експлуатації придатні акумулятори наступних моделей: DCB546, DCB547, DCB548. Див. додаткову інформацію у розділі **Технічні дані**.

Комплект поставки

Комплект містить:

- 1 Штроборіз
- 2 Алмазні леза
- 1 Долото
- 1 Опорний фланець без нарізів
- 1 Блокувальний фланець з нарізом
- 1 Розпірка 3 мм
- 1 Розпірка 6 мм
- 1 Розпірка 9 мм
- 1 Розпірка 12 мм
- 1 Шестигранний ключ
- 1 Зарядний пристрій
- 1 Літій-іонний акумулятор (моделі C1, D1, L1, M1, P1, S1, T1, X1, Y1)
- 2 Літій-іонні акумулятори (моделі C2, D2, L2, M2, P2, S2, T2, X2, Y2)
- 3 Літій-іонні акумулятори (моделі C3, D3, L3, M3, P3, S3, T3, X3, Y3)
- 1 Керівництво з експлуатації

ПРИМІТКА: Акумулятори, зарядні пристрої та коробки для зберігання не входять до комплекту моделей N. Акумулятори та зарядні пристрої не входять до комплекту моделей NT. Моделі V мають акумулятори для пристроїв з підтримкою Bluetooth®.

ПРИМІТКА: текстовий знак та логотипи Bluetooth® є зареєстрованими товарними знаками, що належать компанії Bluetooth®, SIG, Inc. Будь-яке використання таких знаків компанією DeWALT здійснюється згідно з ліцензією. Інші торгові марки та торгові назви є власністю відповідних власників.

- *Перевірте інструмент, деталі та приладдя на пошкодження, що могли виникнути під час транспортування.*
- *Перед використанням уважно прочитайте та повністю зрозумійте це керівництво.*

Маркування інструмента

На інструменті є наступні піктограми:



Прочитайте інструкції цього керівництва перед використанням.



Використовуйте засоби захисту органів слуху.



Використовуйте засоби захисту очей.



Видиме випромінювання. Не дивіться на джерело світла.

Розташування коду дати (Рис. А)

Код дати **18**, що включає також рік виробництва, зазначений на корпусі.

Приклад:

2019 XX XX

Рік виробництва

Опис (Рис. А, С)



УВАГА: Ніколи не модифікуйте електричні інструменти та їхні деталі. Це може призвести до пошкодження майна або тілесних ушкоджень.

- | | |
|-------------------------------------|--|
| 1 Тригерний перемикач | 11 Поворотний регулятор глибини |
| 2 Важіль блокування | 12 Захисний кожух |
| 3 Кнопка блокування шпинделя | 13 Засувка доступу до леза |
| 4 Порт для видалення пилу | 14 Кнопка розблокування нижнього захисного кожуха |
| 5 Основна ручка | 15 Роликові колеса |
| 6 Допоміжна ручка | 16 Монтажні отвори для встановлення етикетки інструменту Bluetooth® (рис. С) |
| 7 Опорний фланець без нарізу | 17 Розпірки |
| 8 Блокувальний фланець з нарізом | |
| 9 Акумулятор | |
| 10 Кнопка розблокування акумулятора | |

Область застосування

Ваш штроборіз призначений для професійного гравіювання на бетоні та кладці без використання води.

НЕ використовуйте за умов підвищеної вологості або в присутності легкозаймистих рідин та газів.

Цей штроборіз є професійним електроінструментом.

НЕ дозволяйте дітям торкатися інструмента. Використання інструмента недосвідченими операторами потребує нагляду.

- Цей пристрій не призначений для використання особами (включаючи дітей) зі знизженими фізичними, сенсорними або розумовими можливостями або особами, яким бракує досвіду або знань, за винятком випадків, коли такі особи працюють під наглядом особи, яка несе відповідальність за їхню безпеку. Не можна залишати дітей наодинці з цим пристроєм.

МОНТАЖ ТА НАЛАШТУВАННЯ



ПОПЕРЕДЖЕННЯ: Щоб знизити ризик серйозних тілесних ушкоджень, вимкніть інструмент та відключіть акумулятор перед виконанням будь-яких налаштувань або зніманням/встановленням додаткового обладнання або приладдя. Випадковий запуск може призвести до травм.



ПОПЕРЕДЖЕННЯ: Використовуйте тільки DEWALT акумулятори та зарядні пристрої.

Установка акумулятора в інструмент та його виймання (Рис. В)

ПРИМІТКА. Переконайтесь, що ваш акумулятор **9** повністю заряджений.

Для встановлення акумулятора у ручку інструмента

- Вирівняйте акумулятор **9** по напрямним у ручці інструменту (Рис. В).
- Вставте акумулятор у ручку до упору та переконайтесь, що ви почули звук клацання акумулятора, що став на місце.

Виймання акумулятора з інструмента

- Натисніть кнопку розблокування **10** та витягніть акумулятор з ручки інструмента.
- Вставте акумулятор у зарядний пристрій, як описано у розділі щодо зарядного пристрою цього керівництва.

Акумулятори з індикатором рівня заряду (Рис. В)

Деякі акумулятори DEWALT оснащені індикатором заряду з трьох зелених світлодіодів, що вказують рівень заряду акумулятора, що залишився.

Щоб увімкнути індикатор заряду, натисніть та утримуйте кнопку індикатора заряду **19**. Три зелені світлодіоди будуть горіти відповідним чином, відображуючи рівень зарядки акумулятора. Коли рівень заряду акумулятора нижче відповідного ліміту, індикатор рівня заряду не горить, а акумулятор потрібно зарядити.

ПРИМІТКА: Індикатор рівня зарядки показує лише рівень зарядки, що залишився в акумуляторі. Він не показує функціональність інструмента, а його показники можуть змінюватись відповідно до комплекtnості інструмента, температури та способу застосування.

Установка алмазних лез (рис. А, С, D)



УВАГА: Щоб знизити ризик серйозних тілесних ушкоджень, вимкніть інструмент і відключіть акумулятор перед виконанням будь-яких налаштувань або зніманням/встановленням додаткового обладнання або приладдя. Випадковий запуск може призвести до травми.



УВАГА: Ризик отримання опіків. Гострі частини. ЗАВЖДИ надягайте рукавиці при заміні алмазних лез. Алмазні леза мають гострі краї та можуть сильно нагріватись під час роботи, тому вони можуть пошкодити голі руки.



УВАГА: Ніколи не встановлюйте більше двох алмазних лез.



УВАГА: Всі розпірки мають бути встановлені. Покладіть пристрій на тверду поверхню так, щоб шпиндель **20** був спрямований догори.

- Розблокуйте важіль **13** блокування захисного кожуху та відкрийте захисний кожух **12**.



2. Встановіть опорний фланець без нарізу **7** на шпindel **20** так, щоб піднятий центр (пілот) був спрямований догори.
3. Переконайтеся, що фланець встановлений правильно, повертаючи його, доки він не стане на місце.
4. Встановіть алмазне лезо **21** на опорний фланець, центруючи алмазне лезо на піднятому центрі (пілоті) опорного фланця.
5. Переконайтеся, що стрілки на алмазному лезі збігаються зі стрілками, розташованими всередині захисного кожуха.
6. Для створення необхідної ширини канавки між двома алмазними лезами додайте розпірки **17**, піднявши центр (пілот) вгору.
7. Встановіть друге алмазне лезо на розпірку.
8. Встановіть всі розпірки, що залишилися.
9. Натискаючи кнопку блокування шпинделя **3**, коли шестигранні заглиблення спрямовані від диска, накрутіть блокувальний фланець з нарізкою **8** на шпindel таким чином, щоб виступи з'єдналися з двома гніздами на шпинделі.
10. При натисканні кнопки блокування шпинделя затягніть блокувальний фланець з нарізкою за допомогою шестигранного ключа.
11. Надійно заблокуйте важіль блокування захисного кожуха.
12. Щоб зняти алмазні леза, натисніть кнопку блокування шпинделя й звільніть блокувальний фланець з нарізкою за допомогою шестигранного ключа.

Перед експлуатацією

- Переконайтеся, що внутрішній та зовнішній фланці встановлені правильно.
- Переконайтеся, що алмазні леза обертаються в напрямку, зазначеному стрілками на приладді та інструменті.
- Не використовуйте пошкоджені алмазні леза. Перед кожним використанням перевіряйте алмазні леза на наявність відколів/тріщин та надмірного зносу. В разі падіння електричного інструменту або алмазного леза огляньте його на наявність пошкоджень або встановіть неушкоджене алмазне лезо. Після огляду і встановлення алмазного леза розташуйте себе і сторонніх осіб подалі від площини обертання алмазного леза і включіть електричний інструмент на максимальній швидкості холостого ходу на одну хвилину.

РЕЖИМ РОБОТИ

Інструкції з використання

-  **ПОПЕРЕДЖЕННЯ:** Завжди дотримуйтесь усіх інструкцій з техніки безпеки та відповідних норм.
-  **ПОПЕРЕДЖЕННЯ:** Щоб знизити ризик серйозних тілесних ушкоджень, вимкніть інструмент та відключіть акумулятор перед виконанням будь-яких налаштувань або зміння/встановлення додаткового обладнання або приладдя. Випадковий запуск може призвести до травм.



УВАГА:

- Докладайте до інструменту лише незначне зусилля. Не докладайте бічних зусиль до алмазного леза.
- Під час роботи з цим інструментом завжди використовуйте відповідні засоби захисту зору, наприклад окуляри, а також засоби захисту органів слуху й звичайні робочі рукавички.
- Під час роботи корпус редуктора дуже нагрівається.
- Завжди встановлюйте захисний кожух і відповідні алмазні леза. Не використовуйте надмірно зношені алмазні леза.
- Переконайтеся, що внутрішній та зовнішній фланці встановлені правильно.
- Переконайтеся, що алмазне лезо обертається в тому напрямку, який вказано стрілками на приладді чи інструменті.
- Уникайте перевантаження інструменту. Якщо інструмент став гарячим, залиште його на кілька хвилин запущеним, але без навантаження, щоб охолодити алмазні леза. Не торкайтеся алмазного леза, доки воно не охолоне. Алмазні леза сильно нагріваються під час використання.
- Не використовуйте цей електричний інструмент в установках для відрізання.
- Ніколи не використовуйте прокладки разом з алмазними лезами.
- Майте на увазі, що алмазні леза продовжують обертатися після вимкнення інструментів.

Правильне положення рук (рис. E)



УВАГА: Щоб знизити ризик серйозних тілесних ушкоджень, завжди розташовуйте руки в правильному положенні, як показано на рисунку.



УВАГА: Щоб знизити ризик серйозних тілесних ушкоджень, завжди надійно тримайте інструмент, щоб попередити випадкову віддачу.

Правильне положення рук таке: одна рука на основній ручці **5**, а друга – на додатковій ручці **6**

Бездротове керування інструментом (рис. A)



УВАГА: Прочитайте всі застереження з техніки безпеки, інструкції та технічні характеристики приладу, який використовується разом зі штрборізом.

Ваш штрборізм оснащений передавачем для бездротового керування, який дозволяє здійснювати бездротове з'єднання з іншим пристроєм з бездротовим керуванням, таким як пілосос.

Для сполучення штрборізма за допомогою бездротового керування натисніть і утримуйте тригерний перемикач **1** на штрборізі та кнопку сполучення для бездротового керування на окремому пристрої. Світлодіод на

окремому пристрої повідомить, що ваш штроборіз успішно сполучений.

Тригерний перемикач і важіль блокування (рис. F)

1. Увімкніть інструмент, натисніть важіль блокування ② у бік задньої частини інструменту й натисніть тригерний вимикач ①. Інструмент працюватиме, доки перемикач буде залишатись натисненим.
2. Щоб вимкнути інструмент, відпустіть тригерний перемикач.

⚠ УВАГА: Міцно тримайте додаткову ручку та корпус інструменту, щоб не втратити контроль над ним під час запуску та використання, доки алмазне лезо не перестане обертатися. Перш ніж покласти інструмент, переконайтеся, що алмазні леза повністю зупинилися.

⚠ УВАГА: Дайте інструменту досягти повної швидкості, перш ніж він торкнеться робочої поверхні. Заберіть інструмент від робочої поверхні, перш ніж вимкнути його.

Блокування шпинделя (рис. G)

Кнопка блокування шпинделя ③ служить для запобігання обертанню шпинделя при встановленні або знятті алмазних лез. Використовуйте блокування шпинделя лише тоді, коли інструмент вимкнений, відключений від мережі живлення та повністю зупинений.

ПРИМІТКА: Щоб знизити ризик пошкодження інструменту, не використовуйте фіксатор для блокування шпинделя під час роботи інструменту. Це може привести до пошкодження інструменту, а також до випадіння встановлених алмазних лез, яке може спричинити травму.

Щоб скористатися блокуванням, натисніть на кнопку блокування шпинделя ③ та поверніть шпиндель до упору.

Видалення пилу (рис. A, H)

⚠ УВАГА: Ризик вдихання пилу. Для зниження ризику отримання травм ЗАВЖДИ використовуйте схвалену пілозахисну маску.

⚠ УВАГА: ЗАВЖДИ використовуйте пиросос для видалення пилу класу M, розроблений відповідно до чинних директив щодо викидів небезпечного пилу при різанні.

Порт для видалення пилу ④ дозволяє підключити інструмент до зовнішнього пирососа за допомогою системи AirLock або стандартного 35-міліметрового фітинга пирососа. Порт для видалення пилу можна регулювати в діапазоні 180 градусів. Роз'єм AirLock ② з'єднується безпосередньо з інструментами й витяжками, сумісними з системою DEWALT.

1. Переконайтеся, що манжета на роз'ємі AirLock знаходиться в розблокованому положенні. (Див. рисунок H). Зіставте виймки ②3 на манжеті та на роз'ємі AirLock, як показано для положень розблокування і блокування.
2. Вставте роз'єм AirLock в порт для видалення пилу.

3. Поверніть манжету в заблоковане положення.

ПРИМІТКА: Кулькопідшипники всередині манжети входять в паз і фіксують з'єднання. Тепер електричний інструмент надійно підключений до пирососа.

Особиста безпека

1. Дітям та вагітним жінкам не можна знаходитися в робочій зоні під час зачищення чи обробки дротовою щіткою фарбованих поверхонь, аж доки прибирання не буде завершено.
2. Слід вдягнути пілозахисну маску або респіратор, перш ніж заходити до робочої зони. Фільтр потрібно замінювати кожного дня, а також у випадках ускладненого дихання оператора під час роботи. **ПРИМІТКА:** Слід використовувати лише такі пілозахисні маски, які призначені для роботи за наявності пилу або випаровувань фарби, що містить свинець. Звичайні маски для фарбування не забезпечують такого захисту. Зверніться до свого місцевого дилера для отримання відповідної схваленої маски.
3. У робочій зоні заборонено ЇСТИ, ПИТИ та ПАЛИТИ, щоб уникнути потрапляння частинок фарби в організм. Робочі мають помитися, ПЕРШ ніж, як їсти, пити або палити. Їжу, напої та цигарки не слід залишати в робочій зоні, де на них може потрапити пил.

Очищення та утилізація

1. Пластикові панелі потрібно зібрати та утилізувати разом з пилом та іншим сміттям. Їх слід помістити в герметичні контейнери для сміття й утилізувати відповідно до звичайних процедур збору відходів. Під час прибирання діти та вагітні жінки мають знаходитись подалі від робочої зони.
2. Всі іграшки, меблі та посуд, що використовуються дітьми, потрібно ретельно помити перед наступним використанням.

Гравіювання

1. Завжди використовуйте пиросос.
2. Встановіть правильну глибину і ширину.
3. Відкрита нижня частина кожуха повинна бути спрямована від вас.
4. Щоб забезпечити ефективне видалення пилу, переконайтеся, що підставку захисного кожуха вирівняно відносно поверхні.
5. Дайте інструменту досягти повної швидкості, перш ніж він торкнеться робочої поверхні.
6. Застосовуйте мінімальний тиск до робочої поверхні, дозволяючи інструменту працювати на високій швидкості. Швидкість різання найбільша, коли інструмент працює на високій швидкості.
7. При використанні на вертикальних поверхнях завжди починайте зверху та тягніть інструмент вниз, дотримуючись стрілок напрямку, зазначених на опорі.
8. Почавши різання та створивши надріз в заготовці, не змінюйте кут різання. Зміна кута нахилу призведе до

згинання алмазних лез і може спричинити їхню поломку. Алмазні леза не розраховані на бічні зусилля, які спричиняються згинанням.

9. Продовжуйте повільно прикладати тиск, доки не буде досягнута задана глибина леза.
10. Заберіть інструмент від робочої поверхні, перш ніж вимкнути його. Дайте інструменту повністю зупинитися, перш ніж покласти його.

Робочі поради

Будьте обережні під час вирізання отворів у несних стінах. Прорізування отворів у несних стінах регулюється встановленими нормами, специфічними для кожної окремої країни. Необхідно дотримуватися цих норм за будь-яких обставин. Перед початком роботи проконсультуйтеся з відповідальним інженером-будівельником, архітектором або будівельним інспектором.

ТЕХНІЧНЕ ОБСЛУГОВУВАННЯ

Ваш електричний інструмент призначений для роботи протягом довгого часу з мінімальним обслуговуванням. Довга задовільна робота приладу залежить від належного обслуговування приладу та регулярного його очищення.

ПОПЕРЕДЖЕННЯ: Щоб знизити ризик серйозних тілесних ушкоджень, вимкніть інструмент та відключіть акумулятор перед виконанням будь-яких налаштувань або змінням/встановленням додаткового обладнання або приладдя. Випадковий запуск може призвести до травм.

Зарядний пристрій та акумулятор не підлягають обслуговуванню.



Змашування

Ваш електричний інструмент не вимагає додаткового змашування.



Очищення

ПОПЕРЕДЖЕННЯ: Коли пил та бруд стають помітними та починають накопичуватися біля вентиляційних отворів, вивувайте бруд та пил зсередини основного корпусу за допомогою сухого повітря. Використовуйте рекомендовані засоби захисту органів зору та рекомендовану протипилову маску при виконанні цієї операції.

ПОПЕРЕДЖЕННЯ: Ніколи не використовуйте розчинники та інші агресивні хімічні засоби для очищення неметалевих деталей інструмента. Такі хімічні речовини можуть нанести шкоду матеріалам, що використовуються в цих деталях. Використовуйте вологу ганчірку, змочену лише водою з м'яким милом. Не дозволяйте рідині

отрарпляти всередину інструмента та ніколи не занурюйте деталі інструмента в рідину.

Додаткові аксесуари



ПОПЕРЕДЖЕННЯ: Оскільки інше приладдя, що не зазначене виробником DeWALT, не перевірялося з цим пристроєм, його використання з інструментом може бути небезпечним. Необхідно використовувати лише рекомендовані DeWALT приладдя з цим пристроєм, щоб знизити ризик отримання травми.

Зверніться до свого дилера для отримання подальшої інформації щодо відповідного приладдя.

Захист навколишнього середовища



Роздільний збір. Пристрої і акумулятори позначені цим символом, не можна викидати зі звичайним побутовим сміттям.

Пристрої і акумулятори містять матеріали, які можна відновити та переробити, що зменшить потребу у сировині. Утилізуйте електротехнічну продукцію і акумулятори відповідно до місцевих положень. Більш детальну інформацію можна отримати на сайті www.2helpU.com.

Придатність акумулятора для перезарядки

Дана модель акумулятора підлягає перезарядці у випадку зниження його потужності при виконанні завдань, що попередньо не вимагали особливих зусиль. Наприкінці терміну служби акумулятора утилізуйте його у спосіб, безпечний для навколишнього середовища.

- Повністю розрядіть акумулятор, потім витягніть його з інструменту.
- Літій-іонні акумулятори можна повторно переробляти. Відправте їх до свого дилера або на місцеву переробну станцію. Там зібрані акумулятори будуть перероблені або знищені належним чином.



Виробник:
"Stanley Black & Decker Deutschland
GmbH" Black-&-Decker Str.40, D-65510
Idstein, Німеччина

